

# ARCAM

Bringing music and movies to life



## Custom installation guide – Solo

Later versions will be made available on the Arcam dealer extranet at:

[www.arcam.co.uk](http://www.arcam.co.uk)

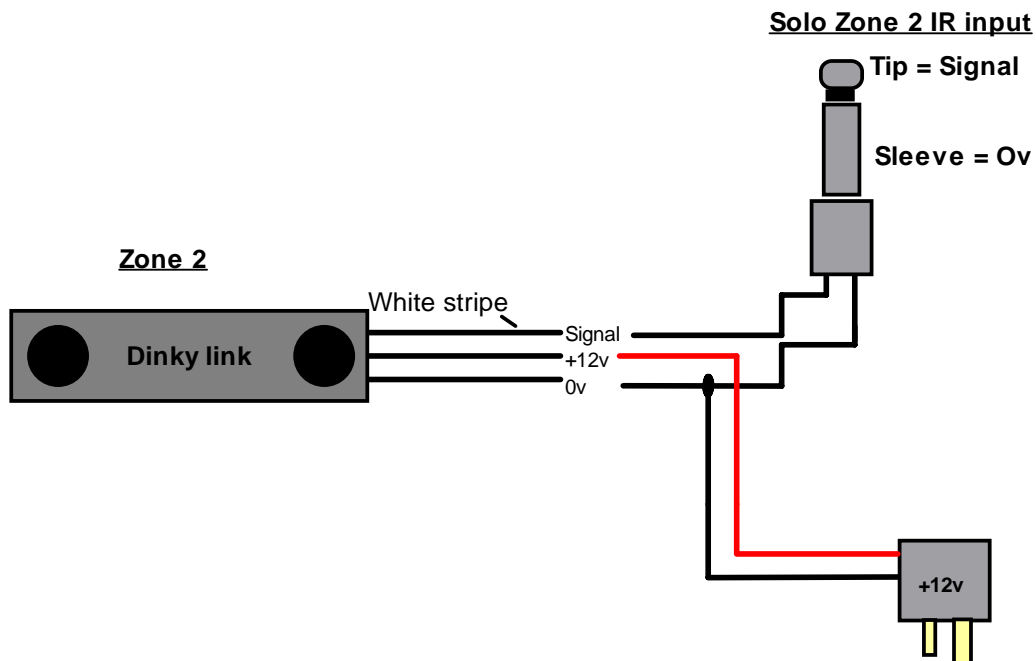


## Introduction

**Solo** is an extremely flexible CI product and will allow for a very simple two-zone setup with independent volume control for Zone 1 and Zone 2.

**Solo** will require a remote pick-up device such as a Xantech Dinky Link located within Zone 2 and a Power amplifier such as the signal sensing Arcam P80 to complete the system.

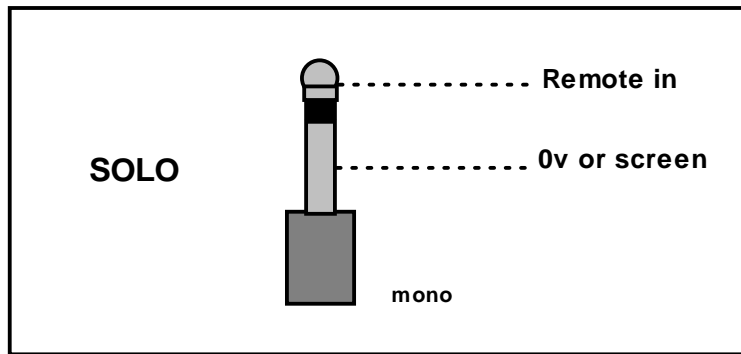
The below diagram demonstrates the implementation of an external power supply for a Xantech Dinky Link although the same wiring scheme will be maintained for many other IR pick-up devices commonly available.



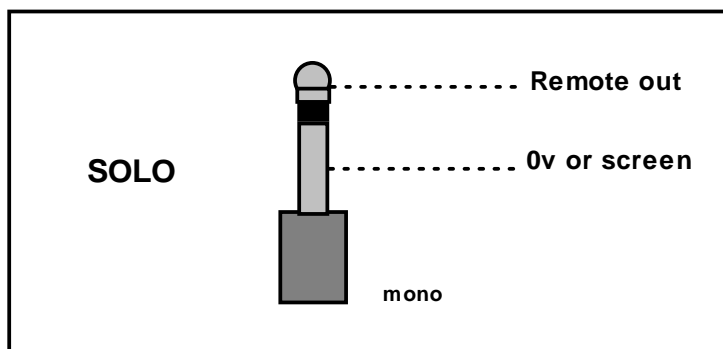
**Solo** also has the ability to provide a **+12v trigger** for control of ancillary devices such as power amplifier in the Second Zone; the +12v control is active when the Solo is not in Off or Standby modes.

## Connector wiring diagrams

### Solo remote control input



### Solo remote output.



### Solo trigger output

