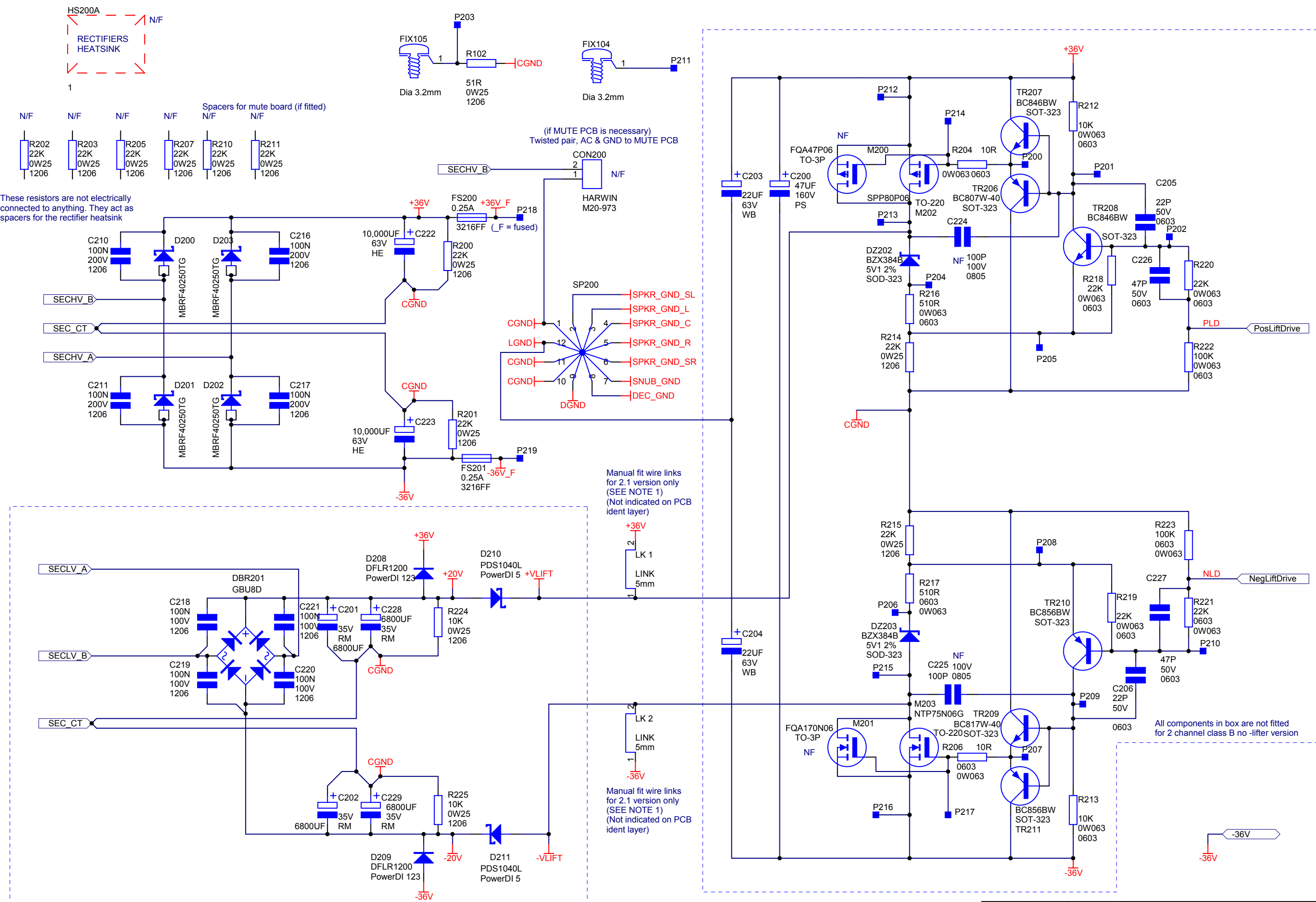


Item	Part No.	Qty	Description	Notes	
Manual BOM edit	ITEM108	F267	1	Adhesive backed ERS Sheet - This Part is RoHS compliant	Strip from reel: 0.8inch x 50mm - attach to heatsink. See assembly drawing for placement information.
Manual BOM edit to 0.01	ITEM109	E064MC	2	INSULATOR SOLO 2.1 AMP	BERGQUIST/ HIGH FLOW 300P 1mil ADHESIVE
Manual BOM edit to 0.01	ITEM119	U006	1	Threadlock Low Strength - RoHS OK	Apply to 2-off ITEM105 to lock screw thread into heatsink clip.
Manual BOM edit to 0.01	ITEM114	F294	2	6.1mm I/D, 9.3mm O/D O-Ring	Fit half way down C400 and C600
Manual BOM edit to 0.01	ITEM115	F291	2	26.4mm I/D, 32.5mm O/D O-Ring	Fit half way down C222 and C223
Manual BOM edit to 0.01	ITEM116	E828AP	3	Pad Damping 7.5x6x3MM Rubber	Side of L402 and L602, and on PCB. See assembly drawing for placement information.
Manual BOM edit to 0.01	ITEM107	U003	1	COMPONENT LEAD SLEEVE	
Manual BOM edit to 0.01	ITEM102	U002	1	COMPONENT ADHESIVE	
	ITEM100	L145PB	1	Blank PCB Solo5.1and 2.1 Amplifier	2oz copper, all layers
	ITEM103	HF4V09B	3	SCREW TORX NO.4 X 9MM + WASHER BLK	
	ITEM104	F271	2	HEATSINK CLIP UNIVERSAL TRANSISTOR RETAINING SPRING	Fischer Elektronik / THFMG1 (M4 Thread)
	ITEM105	HA4V12S	2	SCREW M4X12MM STAINLESS STEEL	RS / 528-823
	ITEM106	E920HK	1	HEATSINK SOLO 5.1	

DRAWING TITLE				07_E187	RGTC	29/10/07	Added LK1 and LK2 to the schematic and BOM + voicing mods. The links are added to the footprint of M202 & M203 See NOTE1	7.3
<b>Power Amps Top Level</b>				07_E185	RGTC	24/10/07	Added R302 to BOM. Marked N/F components to Shc.	7.2
				07_E150	SLRR	31/08/07	Rectifiers heatsink and associated fittings removed	7.1
<b>ARCAM</b> A & R Cambridge Ltd. Pembroke Avenue Waterbeach Cambridge CB5 9QR				07_E142	SLRR	23/08/07	Issue changed to 7.0 to match Solo 5.1 Solo 2.1 insulator added, BOM hand edit notes added	7.0
				07_E102	SLRR	28/06/07	Circuit modified for Solo 2.1 Unnecessary components labelled as no fit - (\$00)	1.0
ECO No.	INITIALS	DATE	DESCRIPTION OF CHANGE					ISSUE
Contract Engineer: Andrew Dutton		Contract Tel: (01223) 203240		Printed: 31-Oct-2007		Sheet 1 of 8		A2 DRAWING NO. L145CT

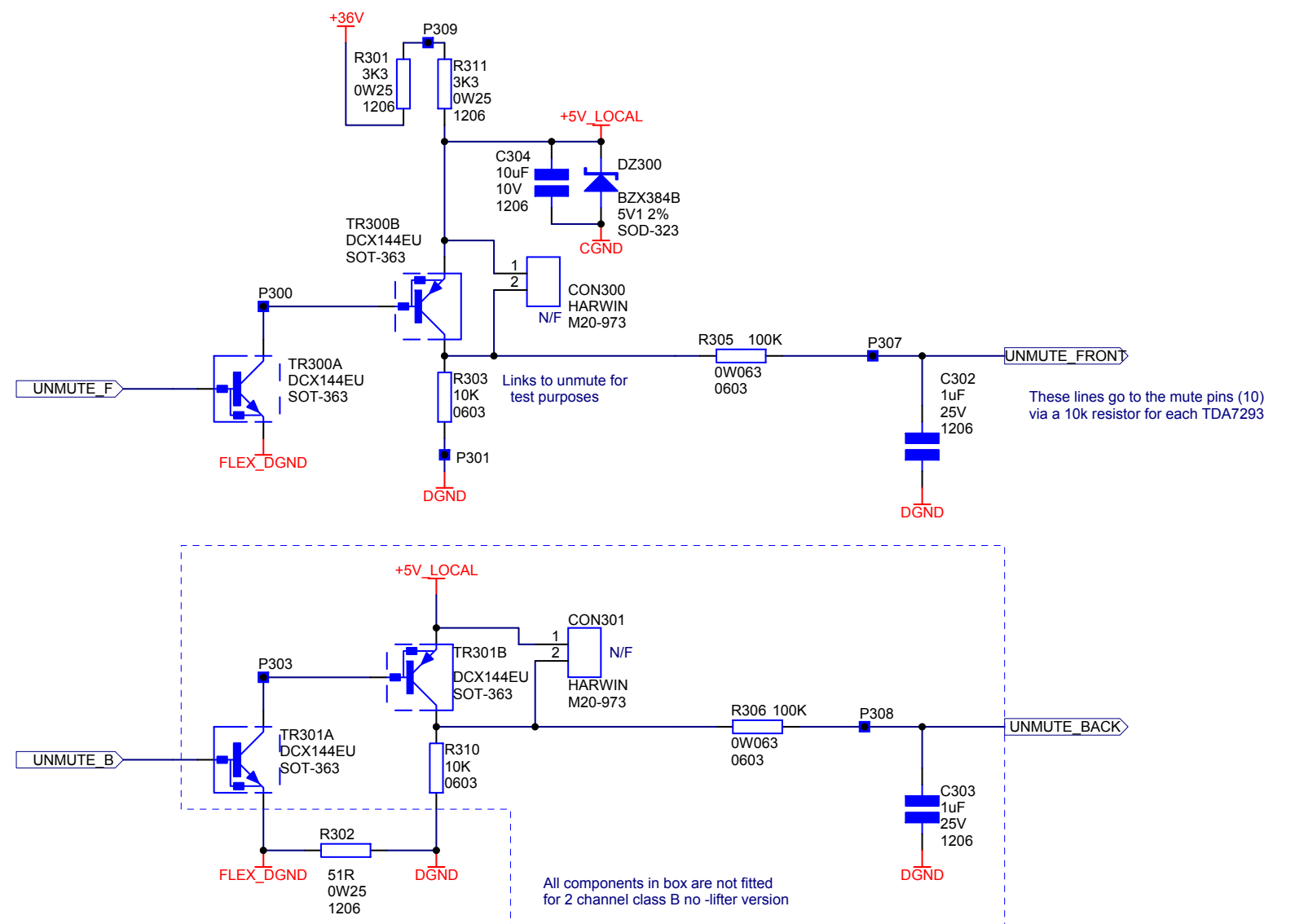
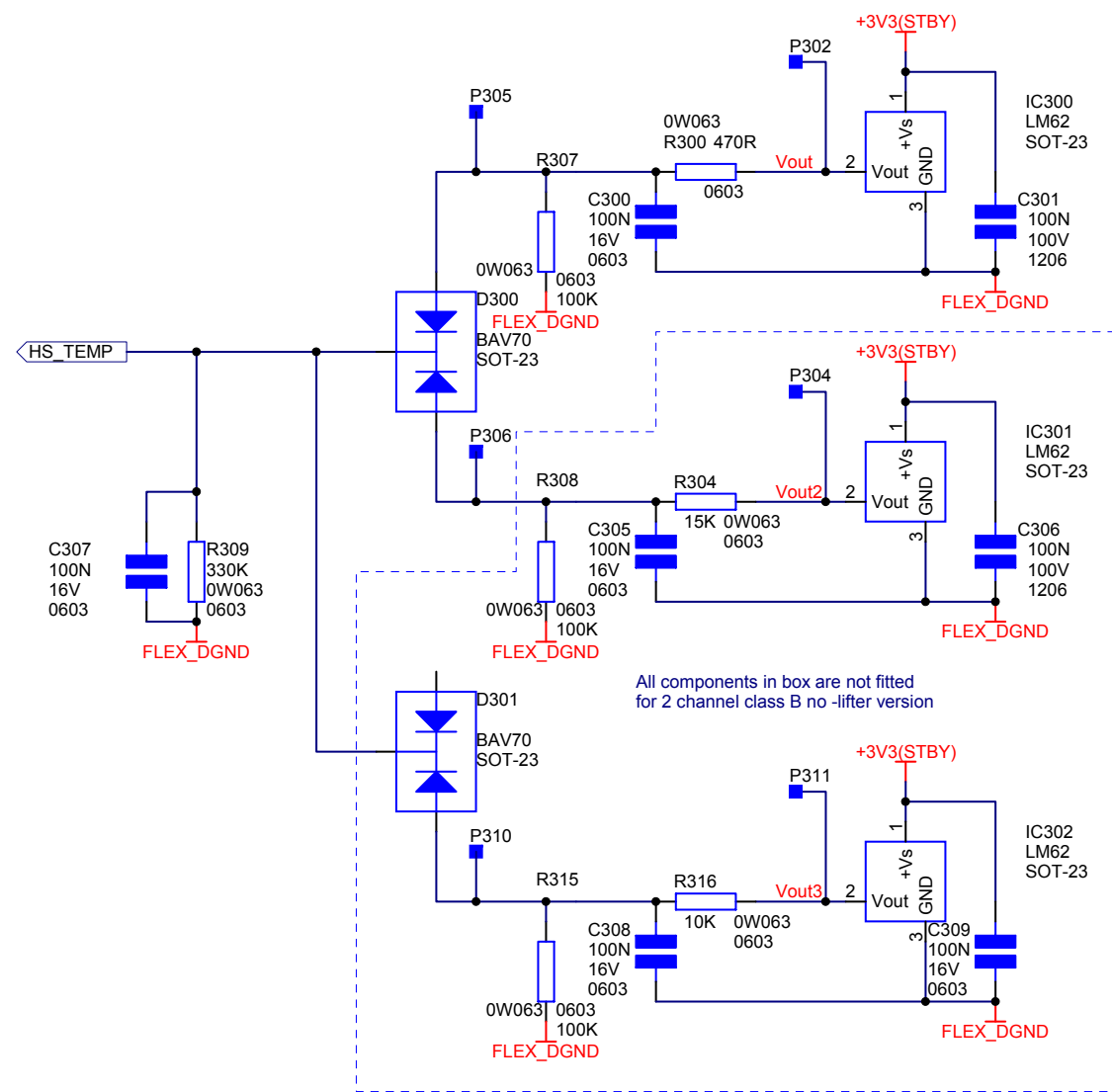


These resistors are not electrically connected to anything. They act as spacers for the rectifier heatsink

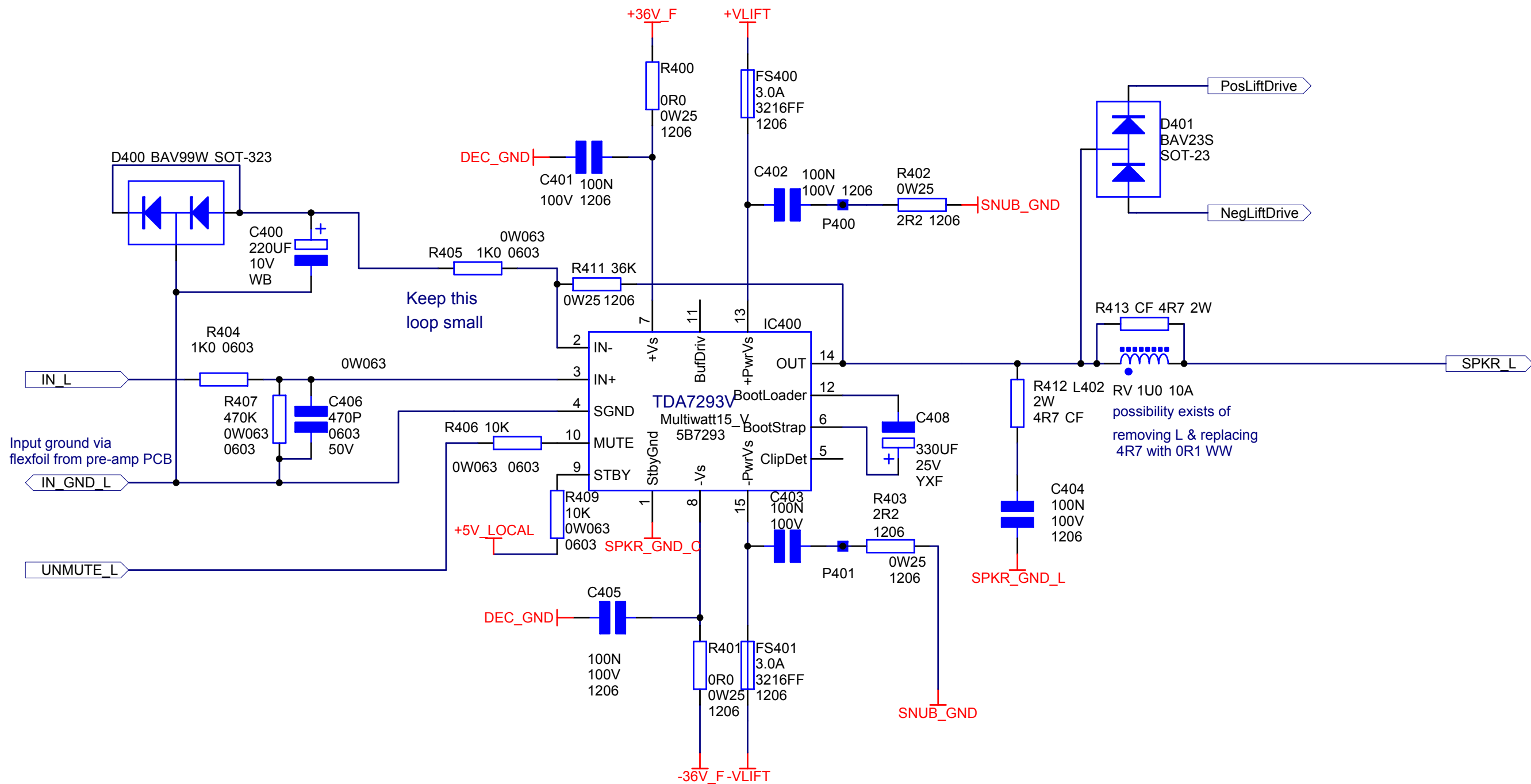
All components in box are not fitted for 2 channel class B no -lifter version

DRAWING TITLE		PSU & Class G Lifters		
07_E187	RGTC	29/10/07	Added Lk 1 and LK 2 to the schematic and BOM The links are added to the footprint of M202 & M203 See NOTE1	7.3
07_E185	RGTC	24/10/07	Added R302 to BOM. Marked N/F components to Shc.	7.2
07_E150	SLRR	31/08/07	Rectifiers heatsink and associated fittings removed	7.1
07_E142	SLRR	23/08/07	Issue changed to 7.0 to match Solo 5.1	7.0
07_E102	SLRR	28/06/07	Circuit modified for Solo 2.1 Unnecessary components labelled as no fit - (\$00)	1.0
ECO No.	INITIALS	DATE	DESCRIPTION OF CHANGE	ISSUE
Contact Engineer: Andrew Dutton		Contact Tel: (01223) 203240	Printed: 31-Oct-2007	Sheet 2 of 8
A & R Cambridge Ltd. Pembroke Avenue Waterbeach Cambridge CB5 9QR		DRAWING NO. L145CT		

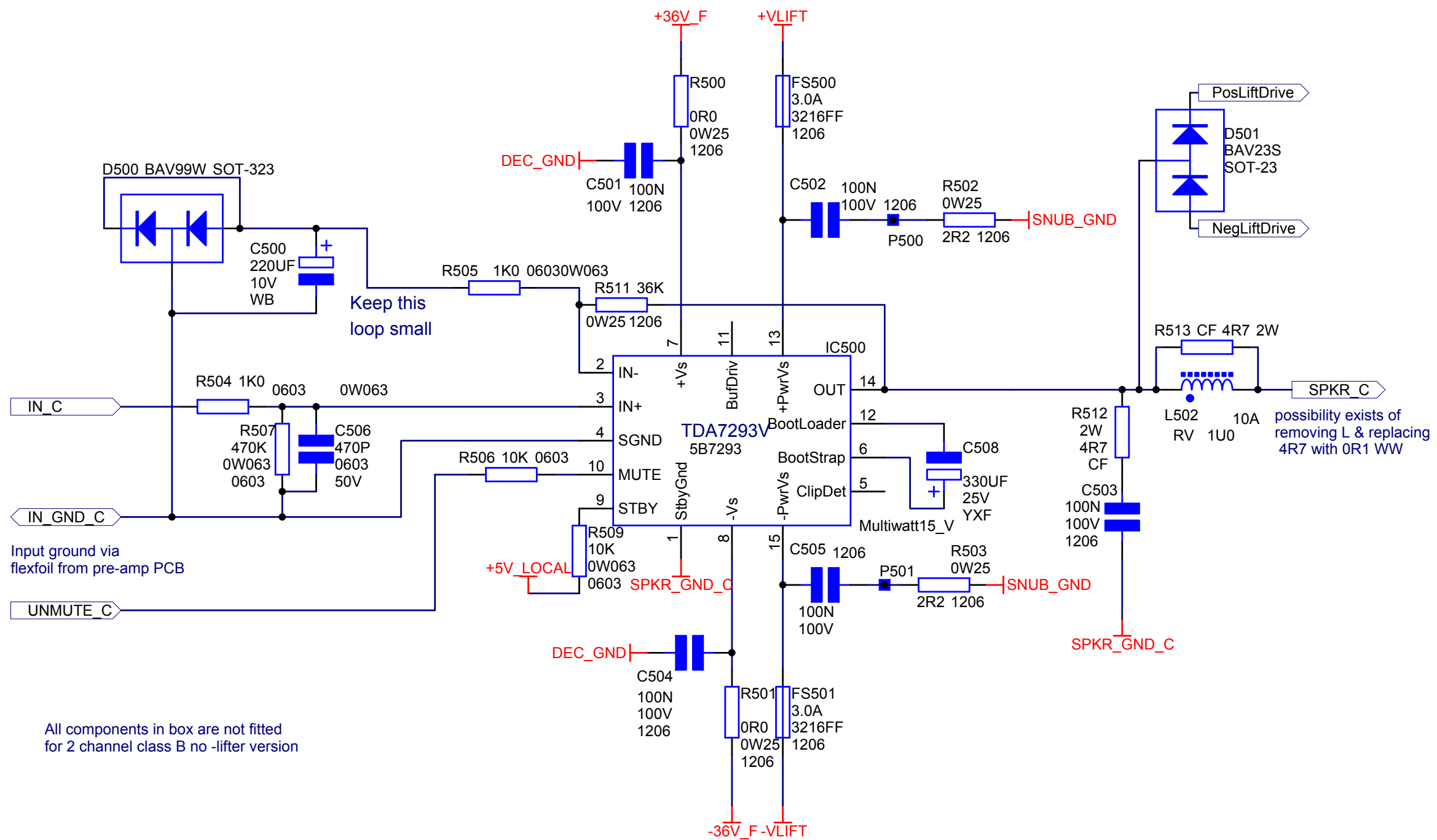
NOTE 1: LK 1 fits between Drain & Source pins of M202  
LK 2 fits between Drain & Source pins of M203



DRAWING TITLE							
<b>TempSensor &amp; Level Shifters</b>		07_E187	RGTC	29/10/07	Added Lk 1 and LK 2 to the schematic and BOM The links are added to the footprint of M202 & M203 See NOTE1		7.3
		07_E185	RGTC	24/10/07	Added R302 to BOM. Marked N/F components to Shc.		7.2
<b>ARCAM</b> A & R Cambridge Ltd. Pembroke Avenue Waterbeach Cambridge CB5 9QR		07_E150	SLRR	31/08/07	Rectifiers heatsink and associated fittings removed		7.1
		07_E142	SLRR	23/08/07	Issue changed to 7.0 to match Solo 5.1		7.0
		07_E102	SLRR	28/06/07	Circuit modified for Solo 2.1 Unnecessary components labelled as no fit - (\$00)		1.0
		ECO No.	INITIALS	DATE	DESCRIPTION OF CHANGE		ISSUE
Contact Engineer: Andrew Dutton		Contact Tel: (01223) 203240		Printed: 31-Oct-2007	Sheet 3 of 8	A3	DRAWING NO. L145CT

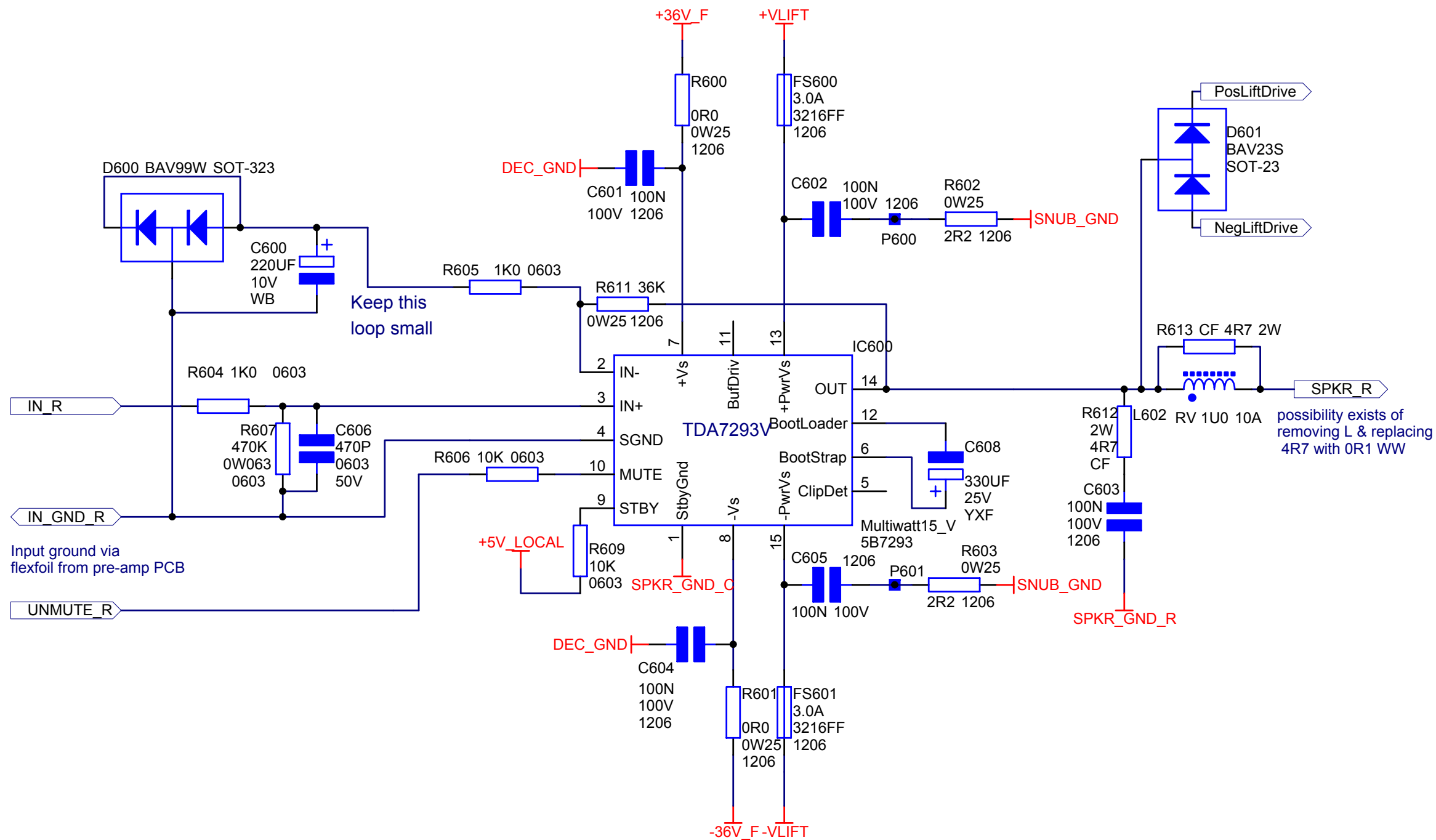


DRAWING TITLE		07_E187	RGTC	29/10/07	Added Lk 1 and LK 2 to the schematic and BOM The links are added to the footprint of M202 & M203 See NOTE1	7.3		
<b>Power Amp Left</b>		07_E185	RGTC	24/10/07	Added R302 to BOM. Marked N/F components to Shc.	7.2		
		07_E150	SLRR	31/08/07	Rectifiers heatsink and associated fittings removed	7.1		
<b>ARCAM</b> A & R Cambridge Ltd. Pembroke Avenue Waterbeach Cambridge CB5 9QR		Filename: PA_L.sch		07_E142	SLRR	23/08/07	Issue changed to 7.0 to match Solo 5.1	7.0
		Notes: The net SPKR_GND_C on pin 1 of TDA7293 is a reference to a convenient point on the starground where all the StbyGnd pins are grounded.		07_E102	SLRR	28/06/07	Circuit modified for Solo 2.1 Unnecessary components labelled as no fit - (\$00)	1.0
		ECO No.	INITIALS	DATE	DESCRIPTION OF CHANGE		ISSUE	
Contact Engineer:	Andrew Dutton	Contact Tel:	(01223) 203240	Printed:	31-Oct-2007	Sheet 4 of 8	A4	DRAWING NO. L145CT

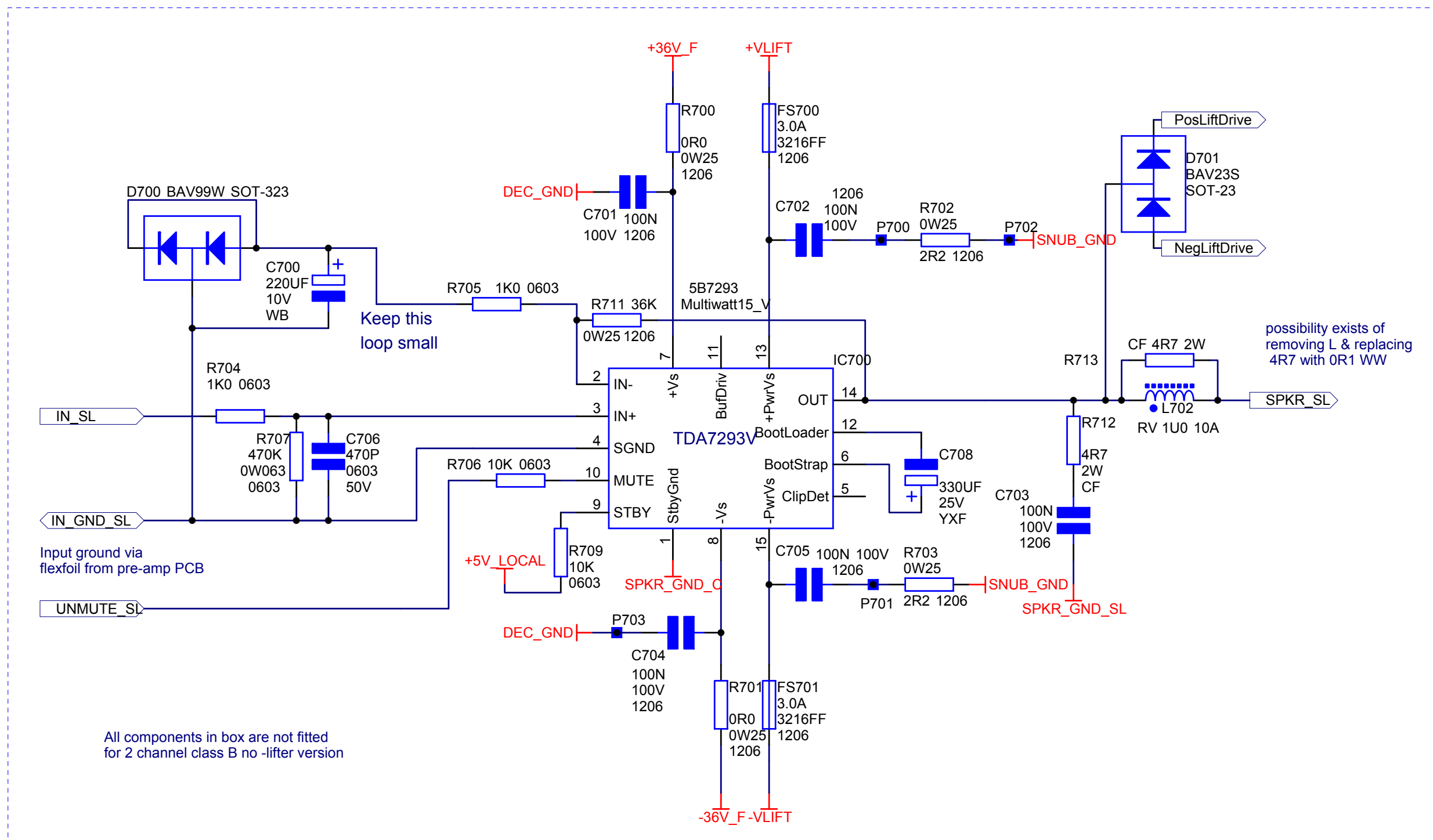


All components in box are not fitted for 2 channel class B no -lifter version

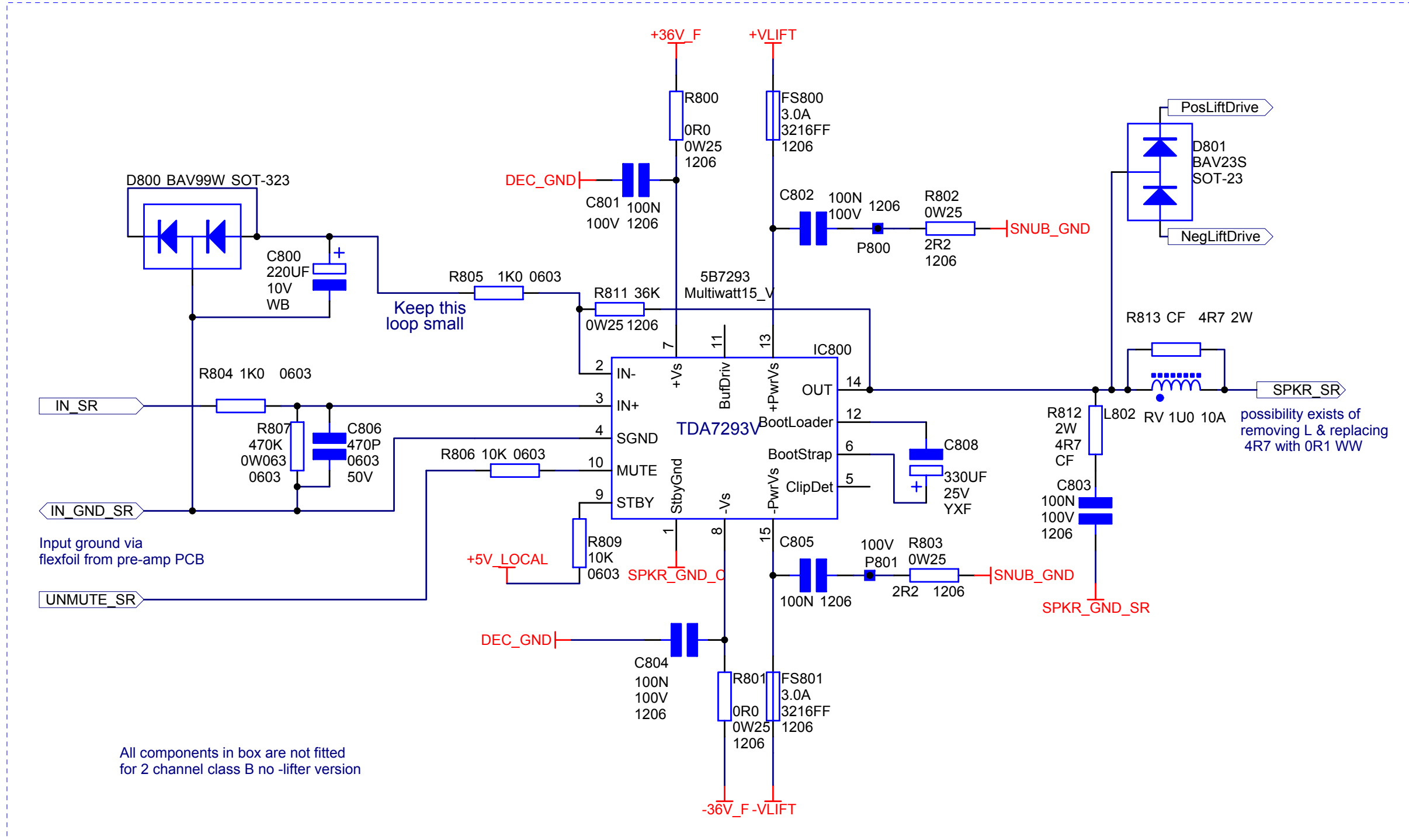
DRAWING TITLE		07_E187	RGTC	29/10/07	Added Lk 1 and LK 2 to the schematic and BOM The links are added to the footprint of M202 & M203 See NOTE1	7.3	
<b>Power Amp Centre</b>		07_E185	RGTC	24/10/07	Added R302 to BOM. Marked N/F components to Shc.	7.2	
		07_E150	SLRR	31/08/07	Rectifiers heatsink and associated fittings removed	7.1	
<b>ARCAM</b> A & R Cambridge Ltd. Pembroke Avenue Waterbeach Cambridge CB5 9QR	Filename:	PA_C.sch	07_E142	SLRR	23/08/07	Issue changed to 7.0 to match Solo 5.1	7.0
	Notes:	The net SPKR_GND_C on pin 1 of TDA7293 is a reference to a convenient point on the starground where all the StbyGnd pins are grounded.	07_E102	SLRR	28/06/07	Circuit modified for Solo 2.1 Unnecessary components labelled as no fit - (\$00)	1.0
	Contact Engineer:	Andrew Dutton	ECO No.	INITIALS	DATE	DESCRIPTION OF CHANGE	ISSUE
Contact Tel:	(01223) 203240	Printed:	31-Oct-2007	Sheet	5 of 8	A4	DRAWING NO. L145CT



DRAWING TITLE								
<b>Power Amp Right</b>		07_E187	RGTC	29/10/07	Added Lk 1 and LK 2 to the schematic and BOM The links are added to the footprint of M202 & M203 See NOTE1	7.3		
		07_E185	RGTC	24/10/07	Added R302 to BOM. Marked N/F components to Shc.	7.2		
<b>ARCAM</b> A & R Cambridge Ltd. Pembroke Avenue Waterbeach Cambridge CB5 9QR	Filename:	PA_R.sch	07_E150	SLRR	31/08/07	Rectifiers heatsink and associated fittings removed	7.1	
	Notes:	The net SPKR_GND_C on pin 1 of TDA7293 is a reference to a convenient point on the starground where all the StbyGnd pins are grounded.	07_E142	SLRR	23/08/07	Issue changed to 7.0 to match Solo 5.1	7.0	
			07_E102	SLRR	28/06/07	Circuit modified for Solo 2.1 Unnecessary components labelled as no fit - (\$00)	1.0	
	ECO No.	INITIALS	DATE	DESCRIPTION OF CHANGE		ISSUE		
	Contact Engineer:	Andrew Dutton	Contact Tel:	(01223) 203240	Printed:	31-Oct-2007	Sheet 6 of 8	A4



DRAWING TITLE		07_E187	RGTC	29/10/07	Added Lk 1 and LK 2 to the schematic and BOM The links are added to the footprint of M202 & M203 See NOTE1	7.3
<b>Power Amp Surround Left</b>		07_E185	RGTC	24/10/07	Added R302 to BOM. Marked N/F components to Shc.	7.2
		07_E150	SLRR	31/08/07	Rectifiers heatsink and associated fittings removed	7.1
<b>ARCAM</b> A & R Cambridge Ltd. Pembroke Avenue Waterbeach Cambridge CB5 9QR	<b>Filename:</b> PA_SL.sch  <b>Notes:</b> The net SPKR_GND_C on pin 1 of TDA7293 is a reference to a convenient point on the starground where all the StbyGnd pins are grounded.	07_E142	SLRR	23/08/07	Issue changed to 7.0 to match Solo 5.1	7.0
		07_E102	SLRR	28/06/07	Circuit modified for Solo 2.1 Unnecessary components labelled as no fit - (\$00)	1.0
		ECO No.	INITIALS	DATE	DESCRIPTION OF CHANGE	ISSUE
<b>Contact Engineer:</b> Andrew Dutton		<b>Contact Tel:</b> (01223) 203240		<b>Printed:</b> 31-Oct-2007	<b>Sheet 7 of 8</b>	<b>A4 DRAWING NO. L145CT</b>



**DRAWING TITLE**  
**Power Amp Surround Right**

**ARCAM**

A & R Cambridge Ltd.  
 Pembroke Avenue  
 Waterbeach  
 Cambridge CB5 9QR

Filename: PA\_SR.sch

Notes: The net SPKR\_GND\_C on pin 1 of TDA7293 is a reference to a convenient point on the starground where all the StbyGnd pins are grounded.

Contact Engineer: Andrew Dutton

Contact Tel: (01223) 203240

07_E187	RGTC	29/10/07	Added Lk 1 and LK 2 to the schematic and BOM The links are added to the footprint of M202 & M203 See NOTE1	7.3
07_E185	RGTC	24/10/07	Added R302 to BOM. Marked N/F components to Shc.	7.2
07_E150	SLRR	31/08/07	Rectifiers heatsink and associated fittings removed	7.1
07_E142	SLRR	23/08/07	Issue changed to 7.0 to match Solo 5.1	7.0
07_E102	SLRR	28/06/07	Circuit modified for Solo 2.1 Unnecessary components labelled as no fit - (\$00)	1.0
ECO No.	INITIALS	DATE	DESCRIPTION OF CHANGE	ISSUE

Printed: 31-Oct-2007

Sheet 8 of 8

A4

DRAWING NO. L145CT