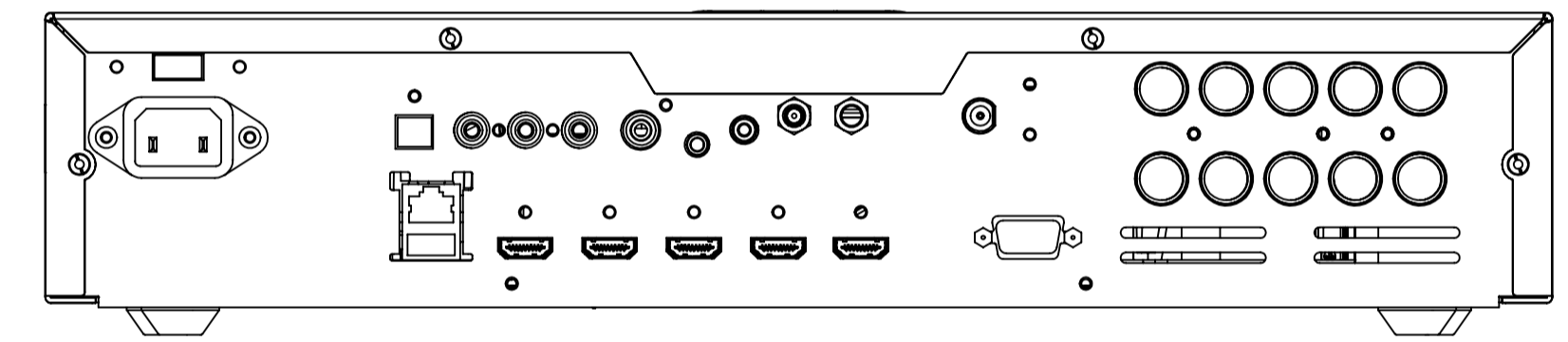
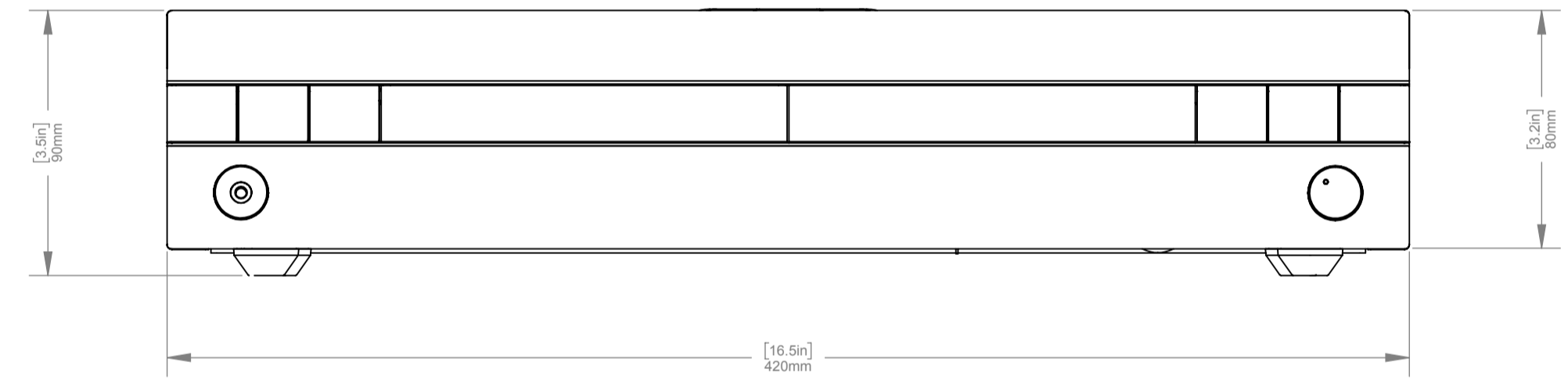
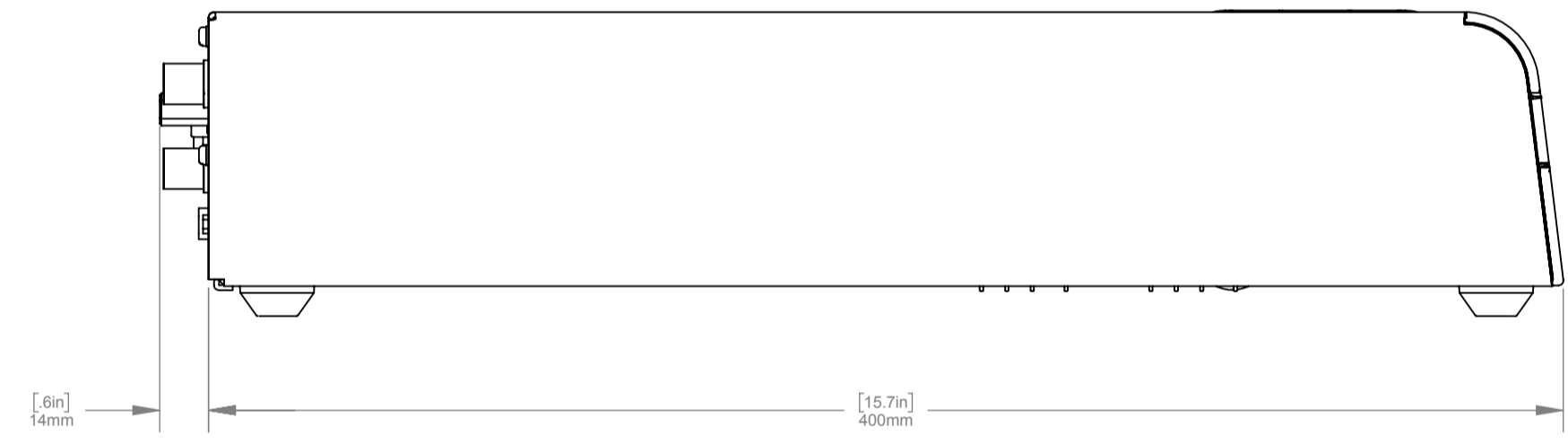
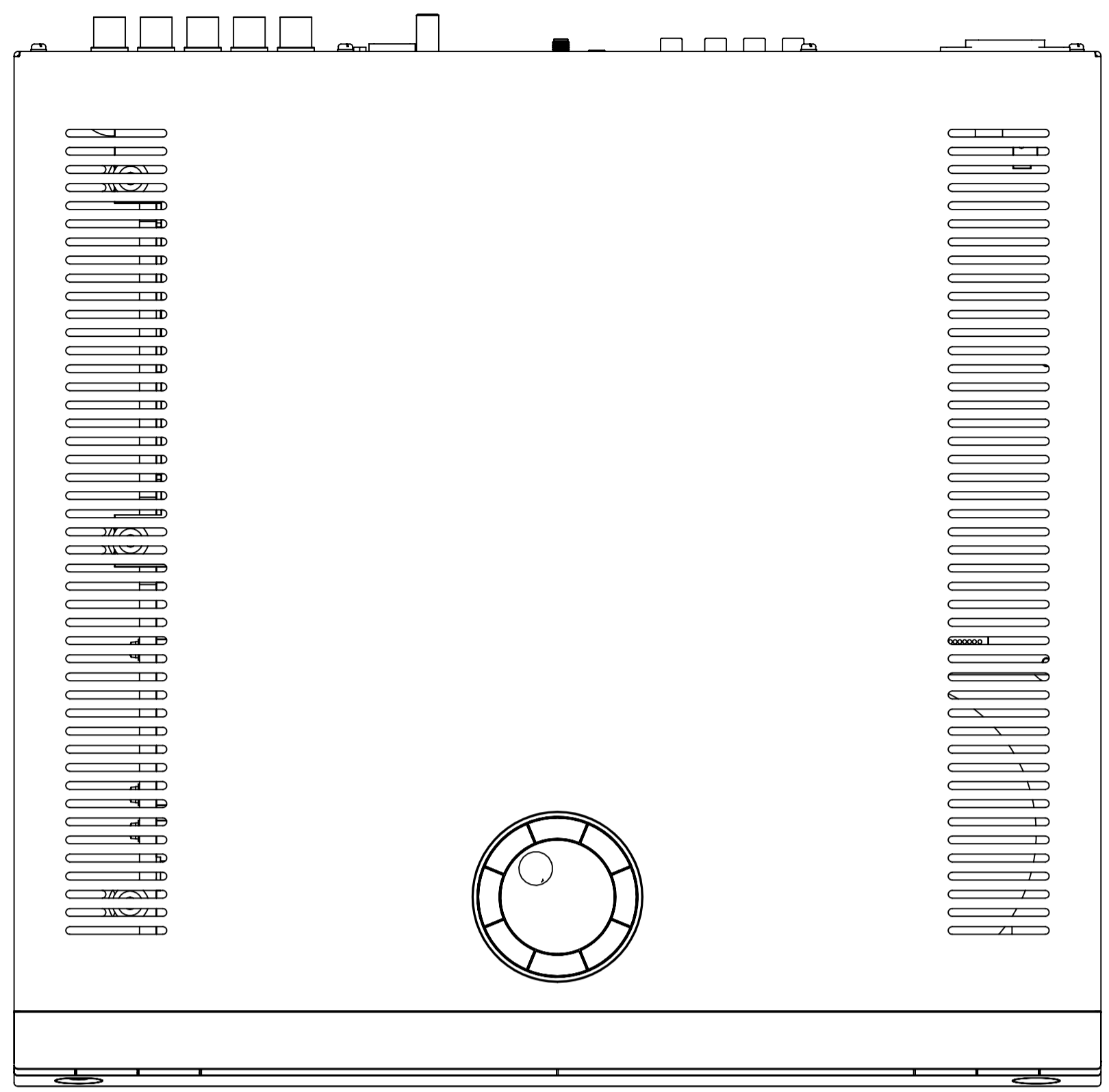
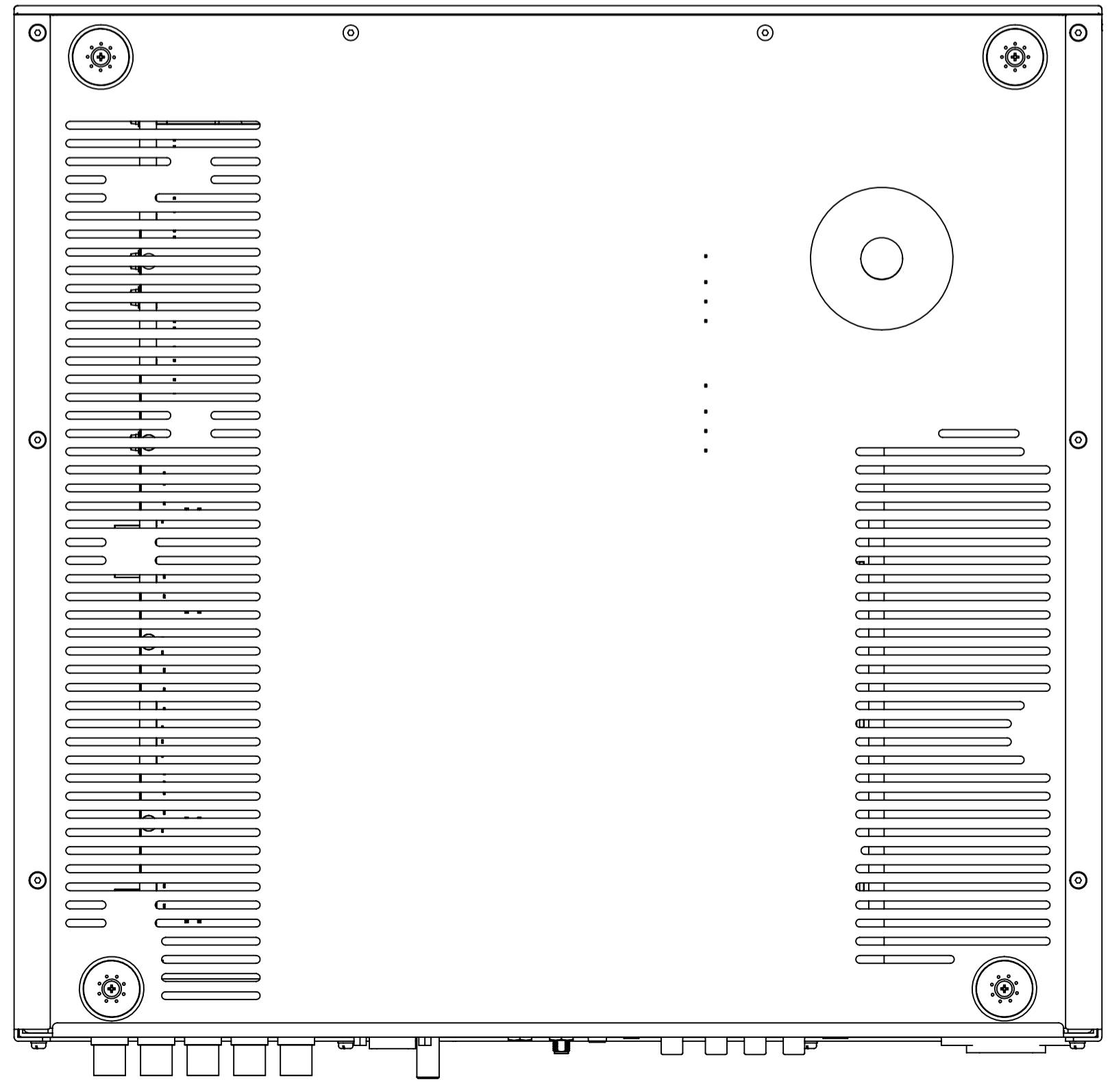


9				10			
ECO NR.	DATE	CHG.	ZONE	DESCRIPTION OF CHANGE	REL.	DR.	CHK.



REAR VIEW



NOTE:
ALLOW ADEQUATE CLEARANCE
AROUND THE PRODUCT FOR
VENTILATION & CONNECTION

ARCAM <small>A & R CAMBRIDGE LTD</small> <small>LINEAR TOLERANCE ±0.2MM</small> <small>UNLESS OTHERWISE STATED</small> <small>ANGULAR TOLERANCE ±1°</small> <small>UNLESS OTHERWISE STATED</small>	<small>DRAWN BY:</small> MCM
	<small>DATE:</small> 18-1-2018
<small>MATERIAL:</small>	<small>CHECKED BY:</small> NC
<small>FINISH:</small>	<small>ORIGINAL SCALE:</small> 1:2.5
<small>PART NUMBER AND DRAWING NUMBER:</small> SOLO MOVIE	<small>SHT:</small> 1 OF 2
<small>DRAWING TITLE:</small> MAIN ASSEMBLY	A1

