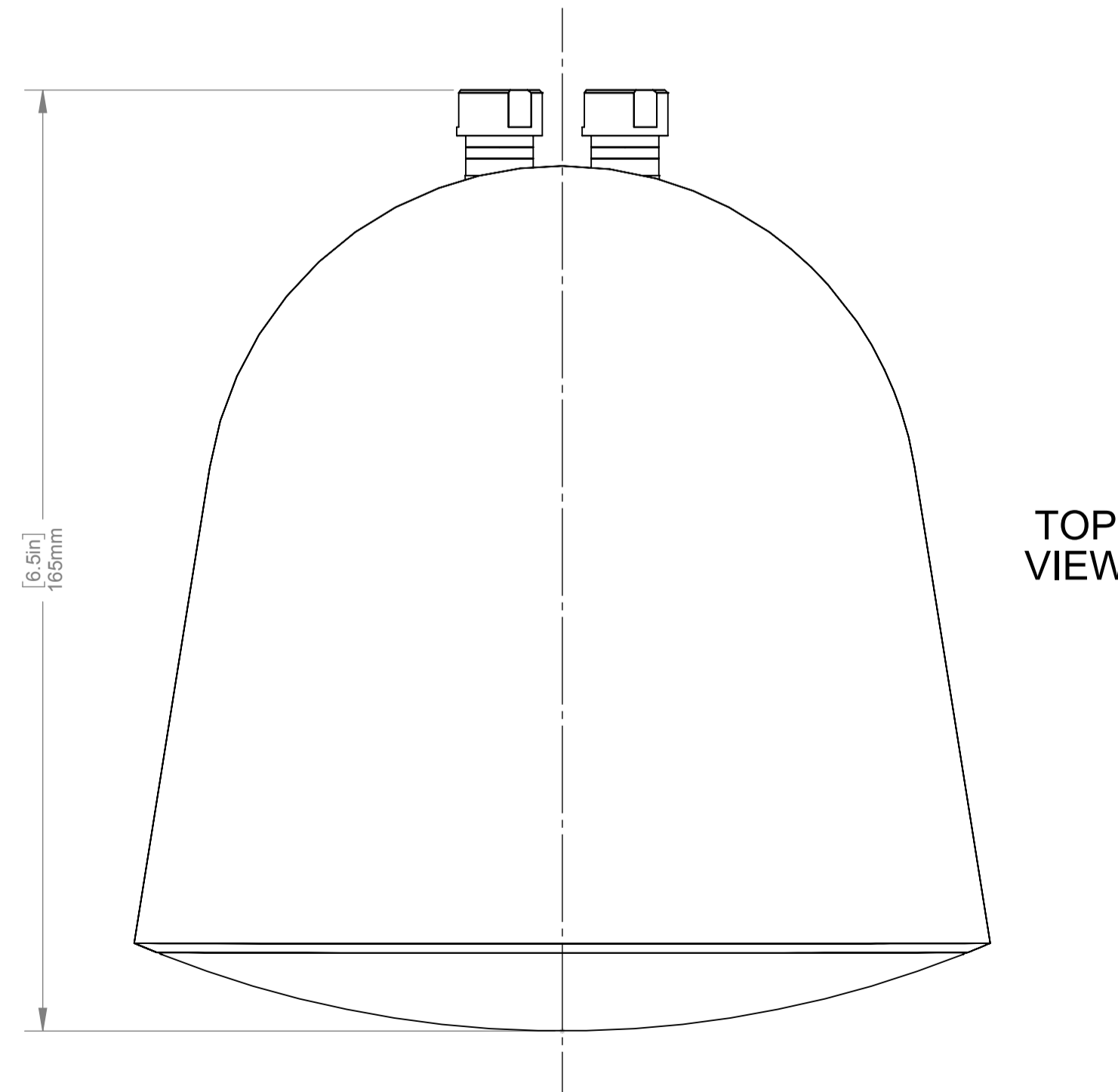
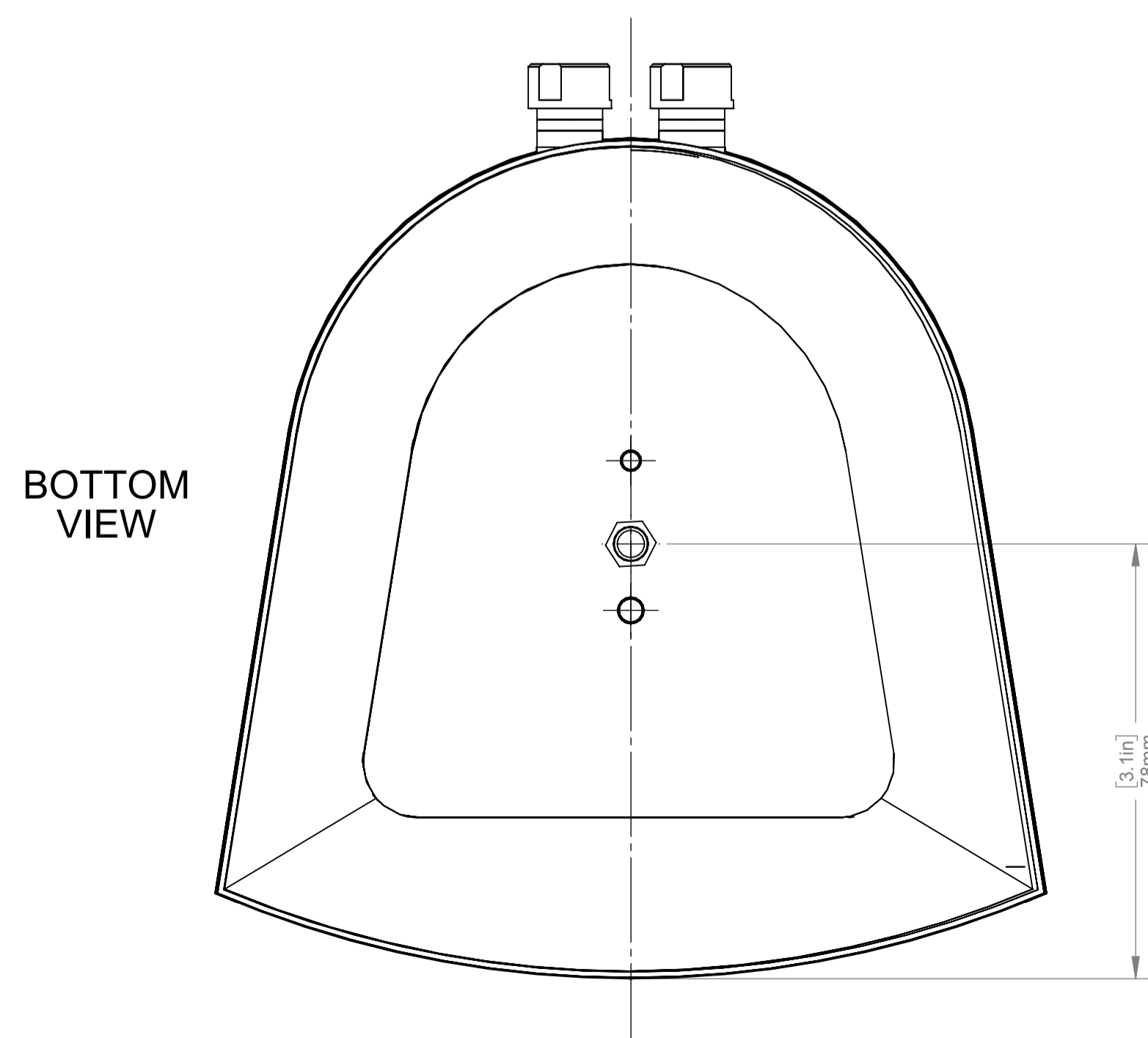
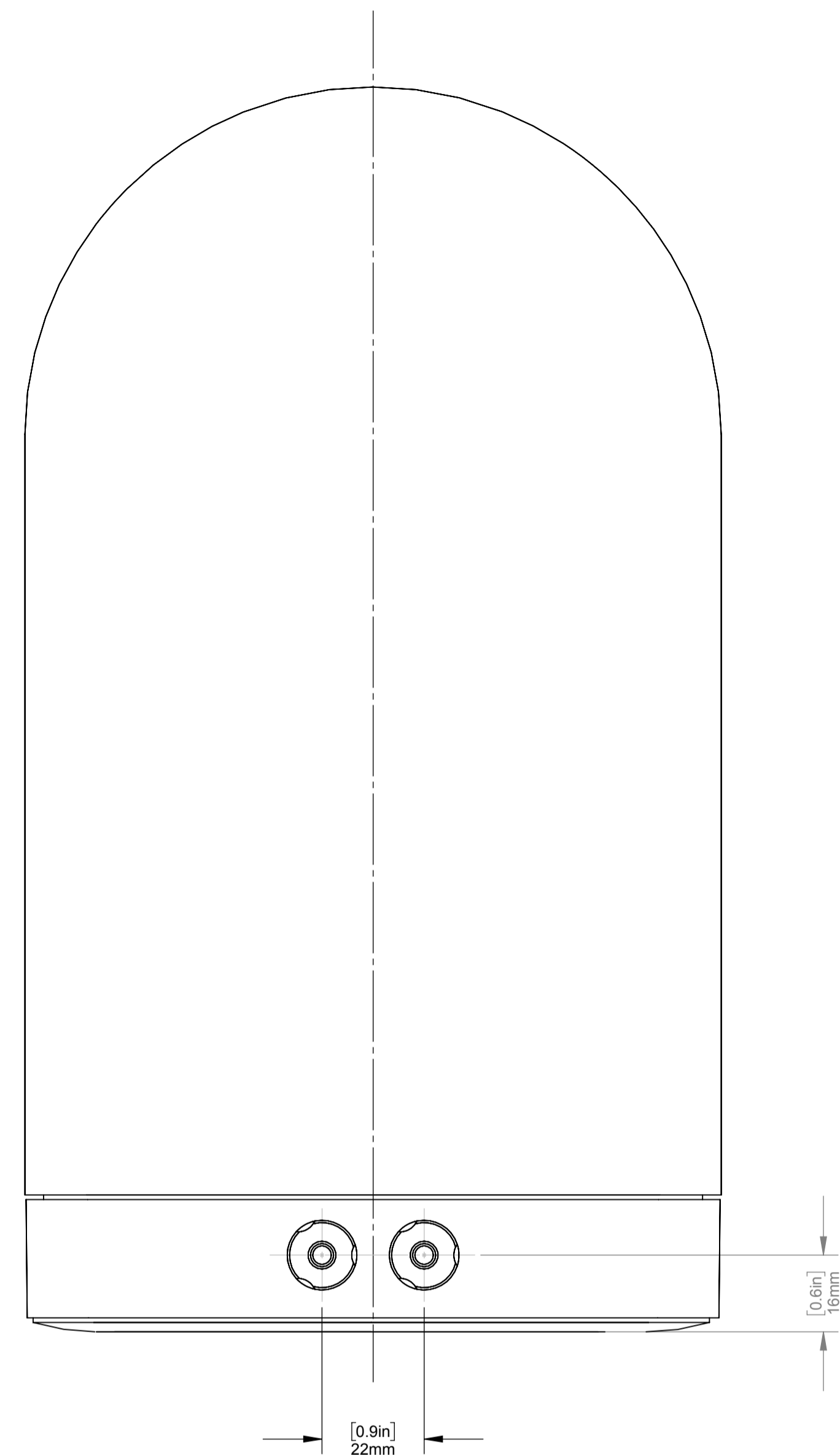
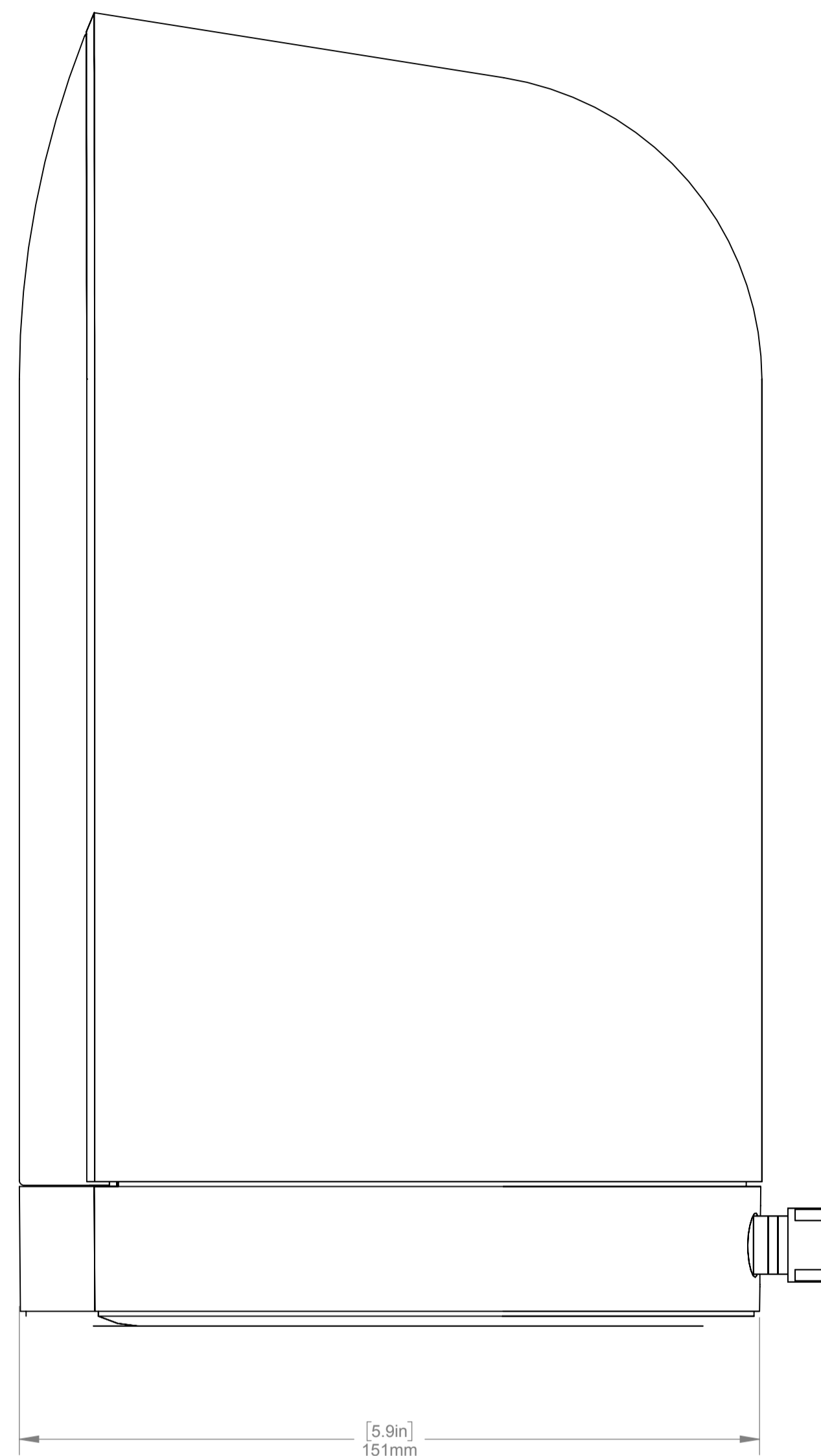
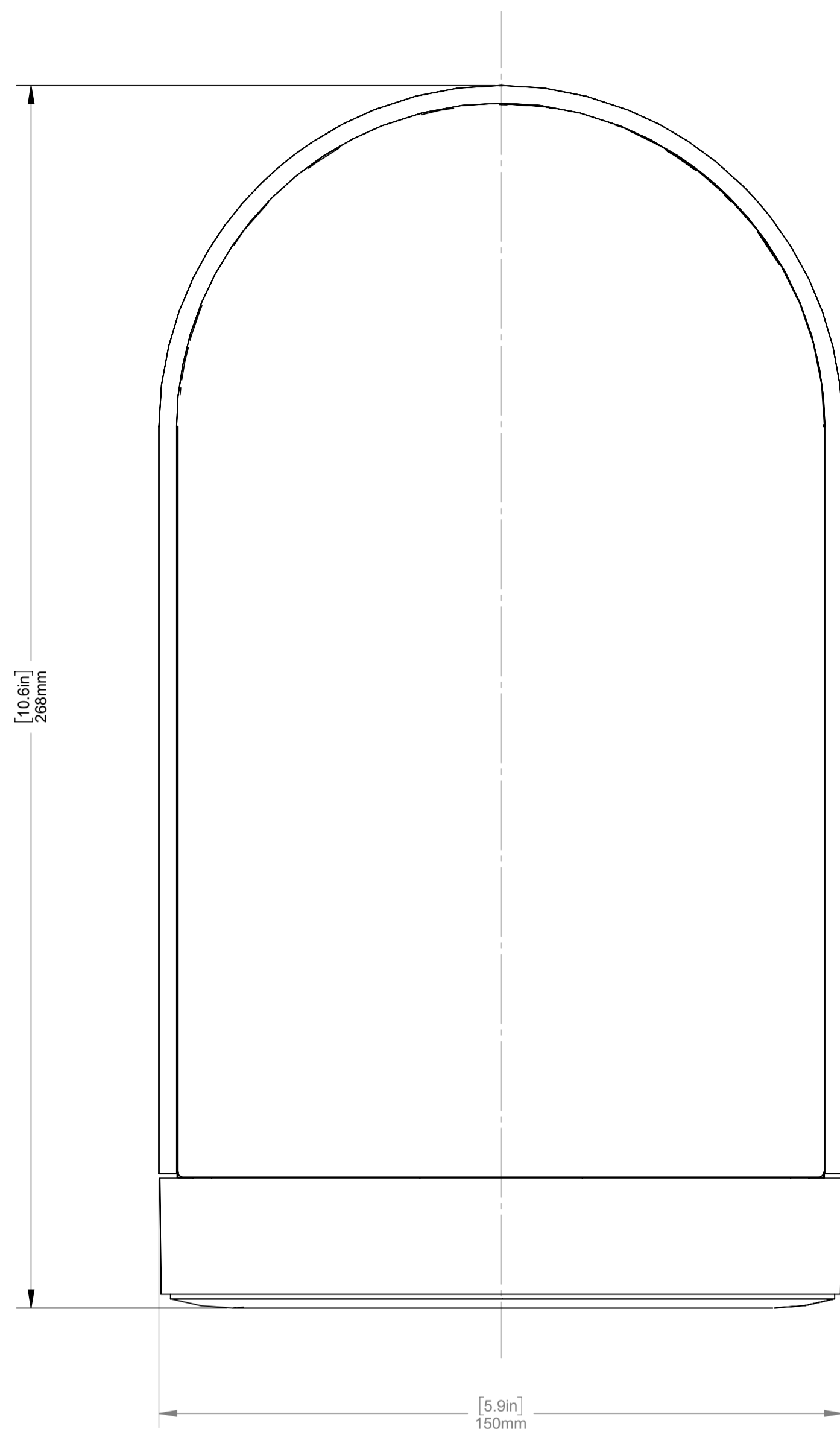


ECO NR.	DATE	CHG. ZONE	DESCRIPTION OF CHANGE	REL.	DR.	CHK.
--	--	--	--	--	--	--
--	--	--	--	--	--	--
--	--	--	--	--	--	--
--	--	--	--	--	--	--



ARCAM A & R CAMBRIDGE LTD	LINEAR TOLERANCE: ±0.2MM UNLESS OTHERWISE STATED	ALL DIMENSIONS IN MILLIMETERS UNLESS OTHERWISE STATED	DRAWN BY: MCM
			DATE: 11-8-2016
MATERIAL:		CHECKED BY: NC	
FINISH:		ORIGINAL SCALE 1:1	
PART NUMBER AND DRAWING NUMBER		SHT. 1 OF 1	
DRAWING TITLE			
MUSO SPEAKER			
MUSO SPEAKER ASSEMBLY		A1	

