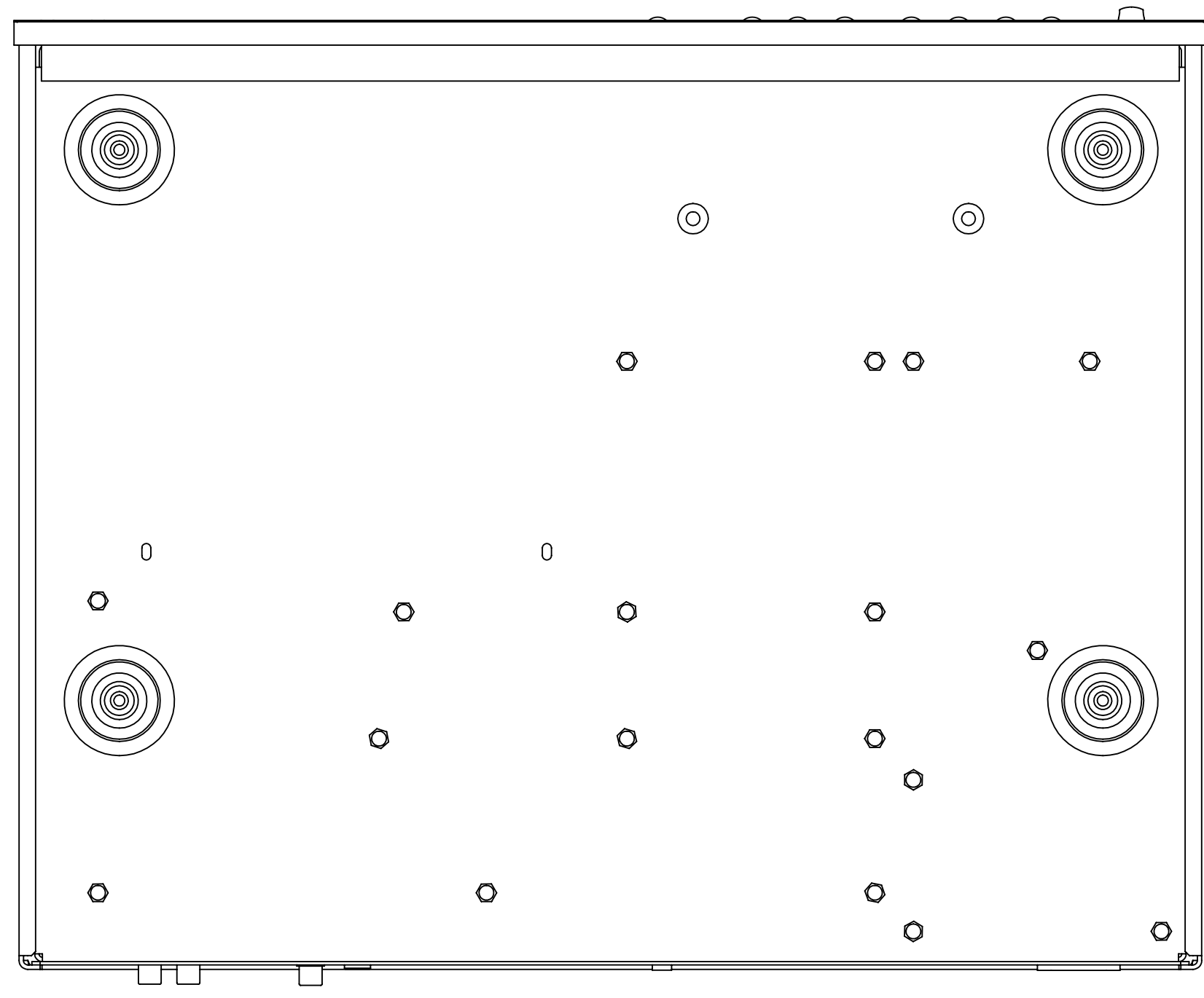
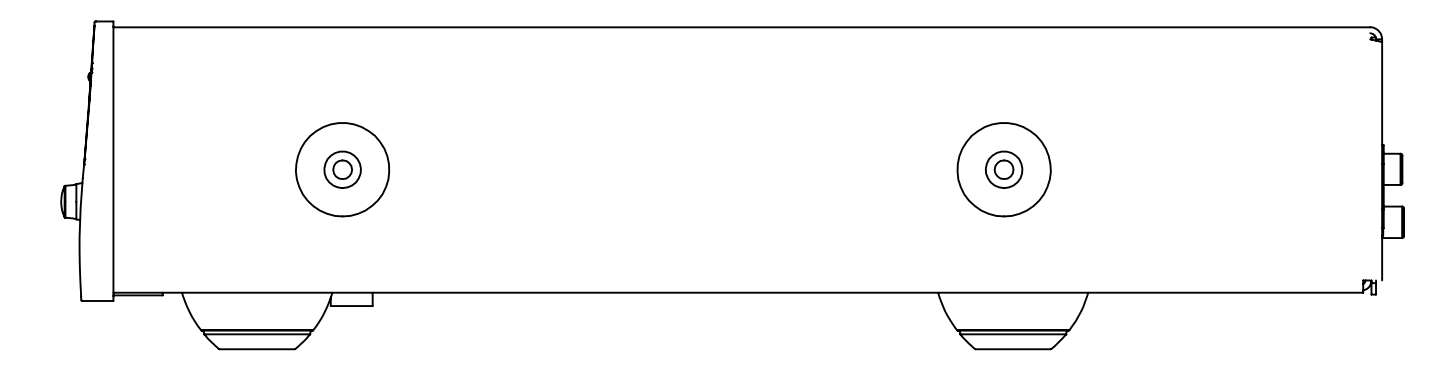
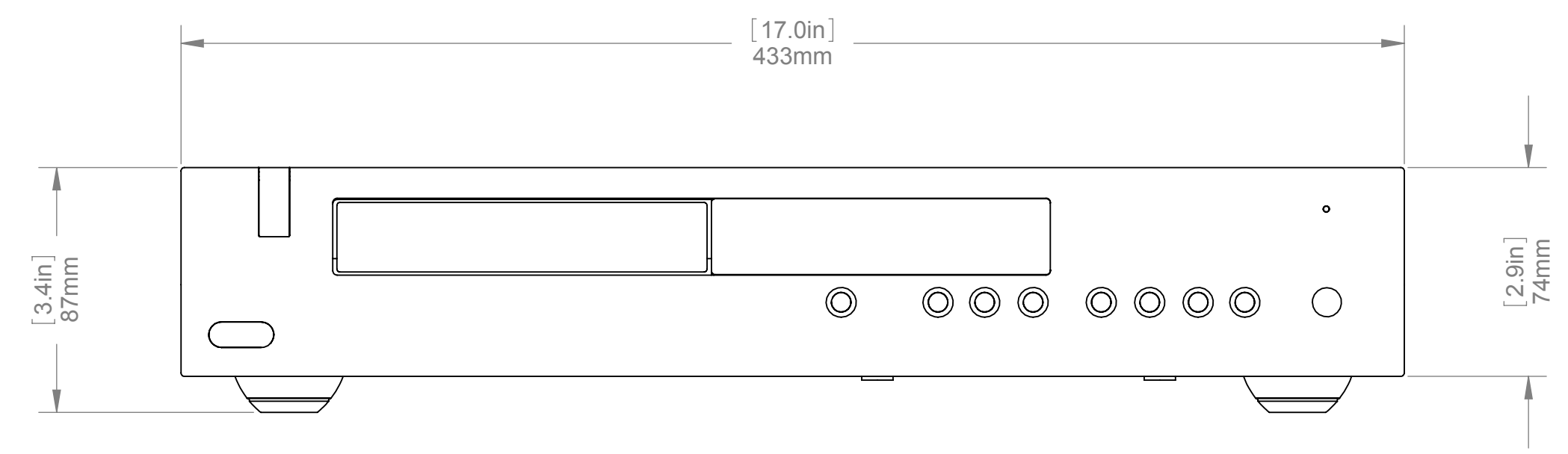
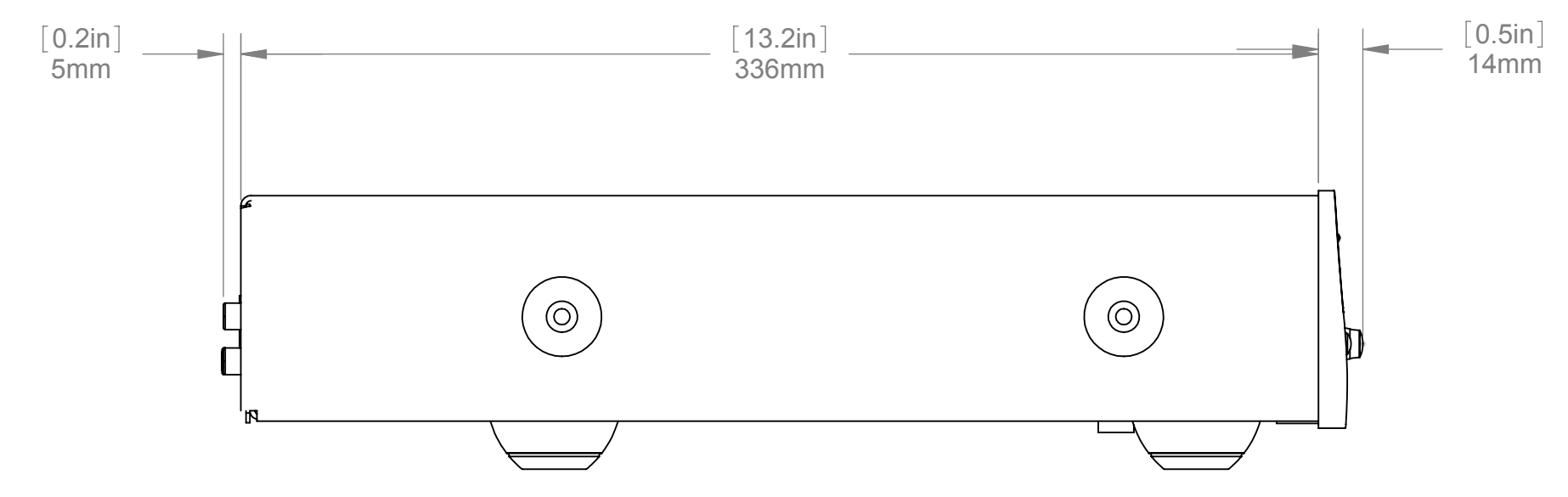
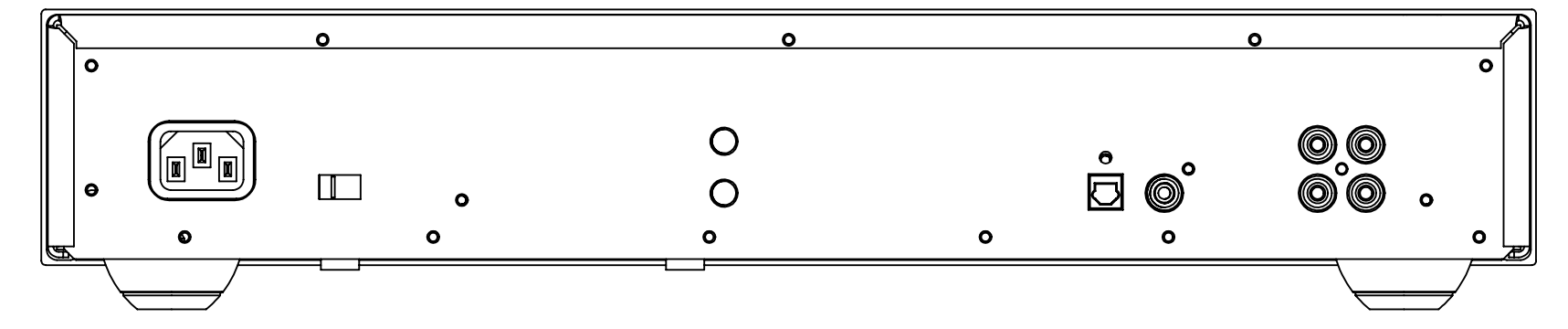
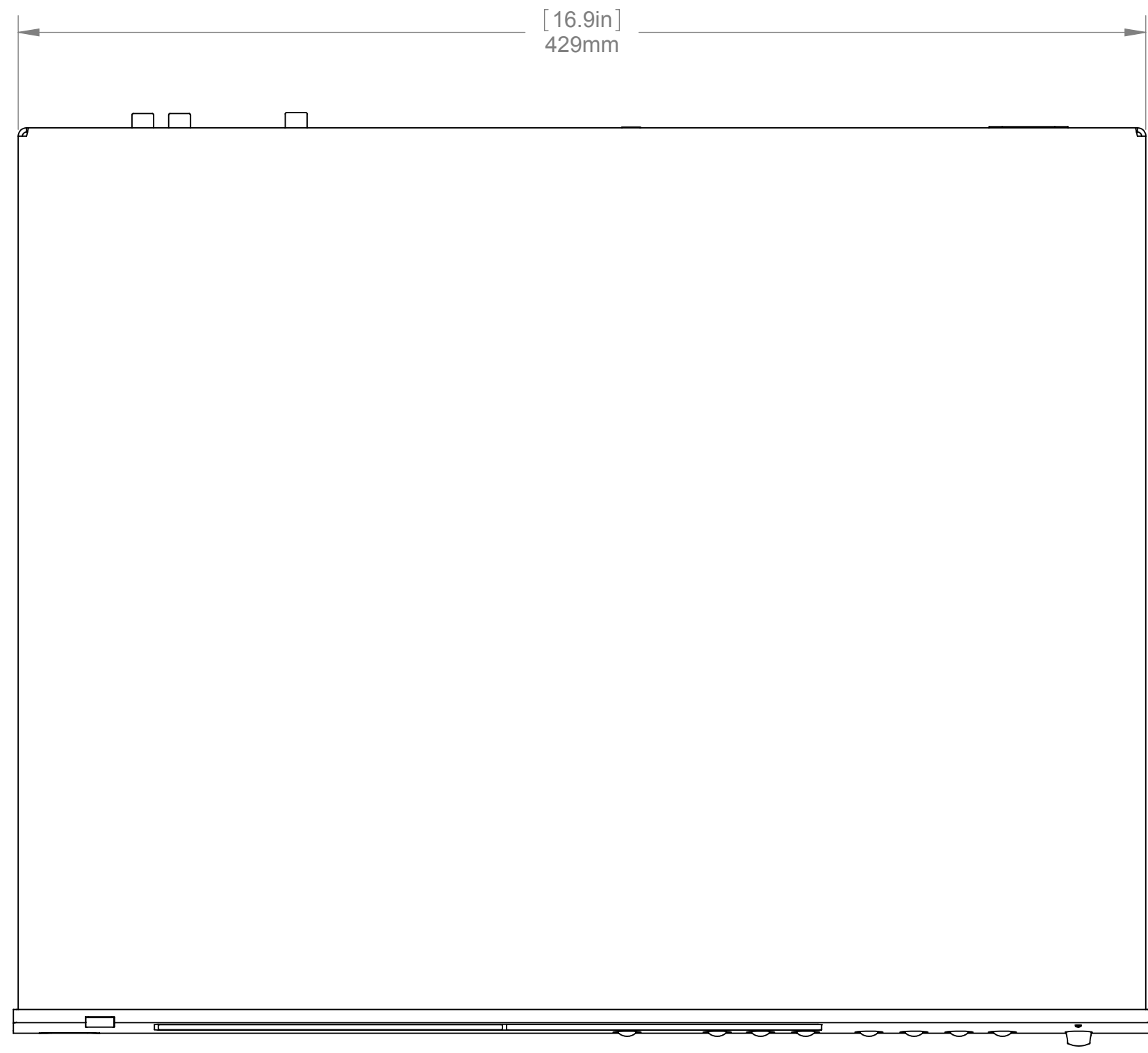


9				10		
ECO NR.	DATE	CHG.	ZONE	DESCRIPTION OF CHANGE	REL.	CHK.
..
..
..
..
..
..



NOTE:
ALLOW ADEQUATE CLEARANCE
AROUND THE PRODUCT FOR
VENTILATION & CONNECTION

ARCAM A & R CAMBRIDGE LTD LINEAR TOLERANCE ±0.2MM UNLESS OTHERWISE STATED ANGULAR TOLERANCE ±1° UNLESS OTHERWISE STATED	DATE:	13-5-2008
	CHECKED BY:	..
MATERIAL:	ORIGINAL SCALE 1:2	
FINISH:	SHT 1 OF 1	
PART NUMBER AND DRAWING NUMBER	CD37	
DRAWING TITLE	CD37 ASSEMBLY	
		A1

