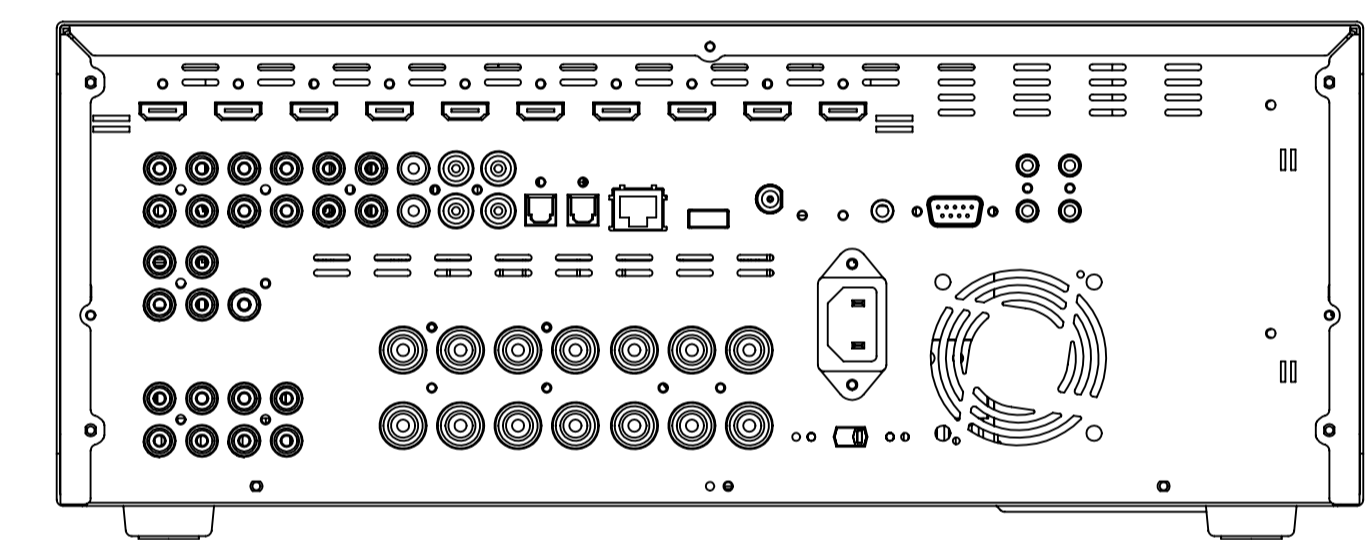
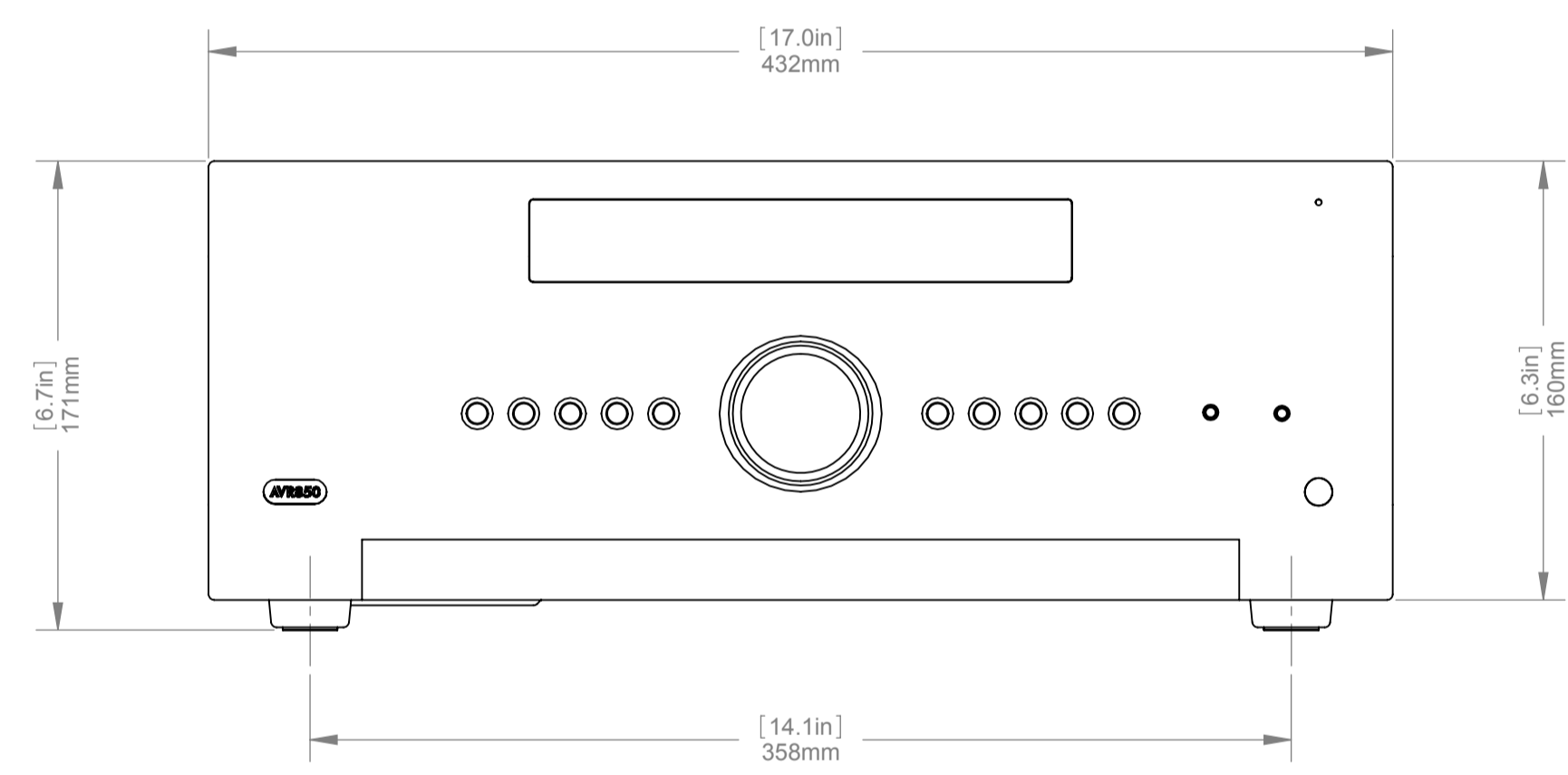
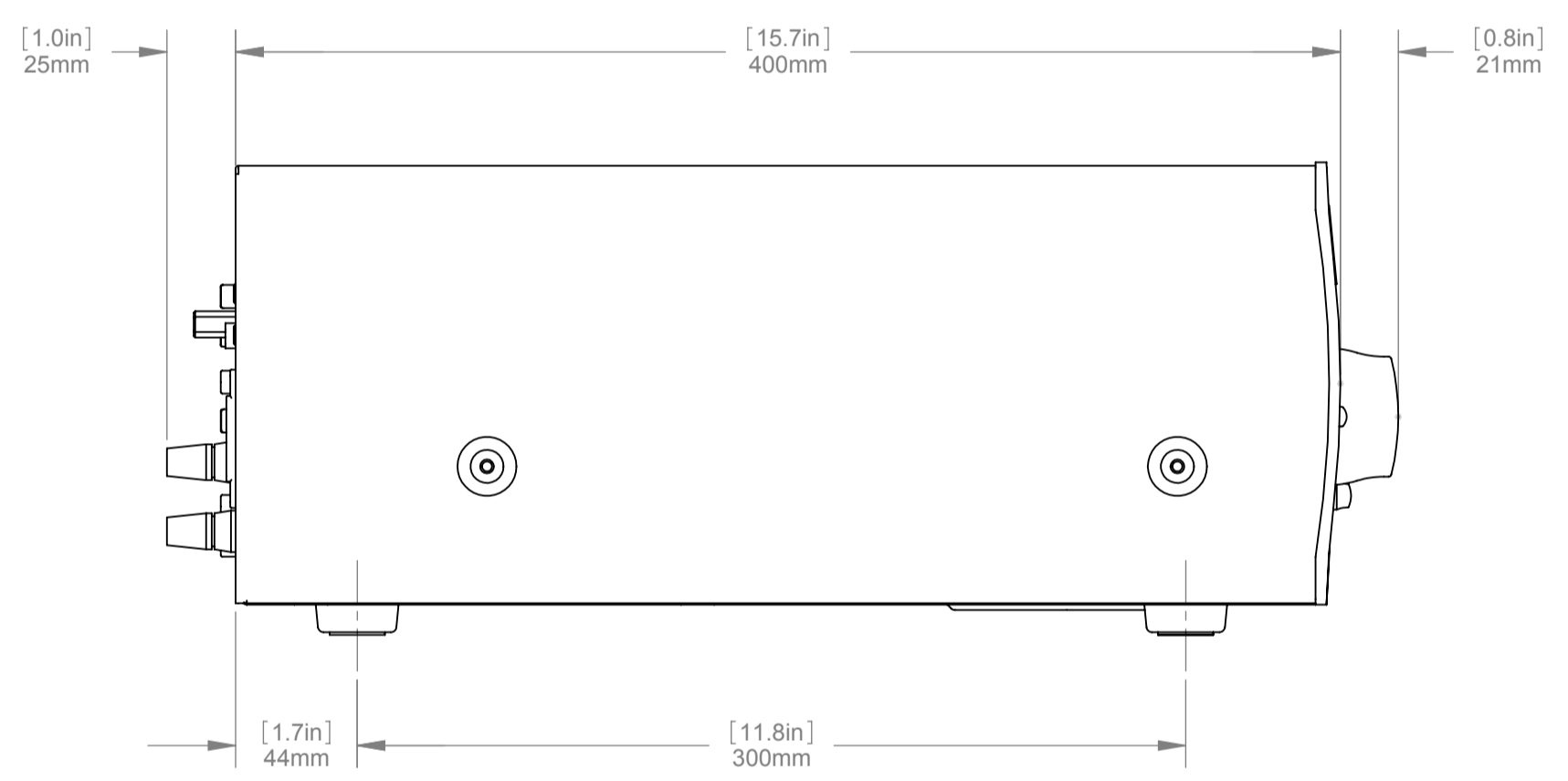
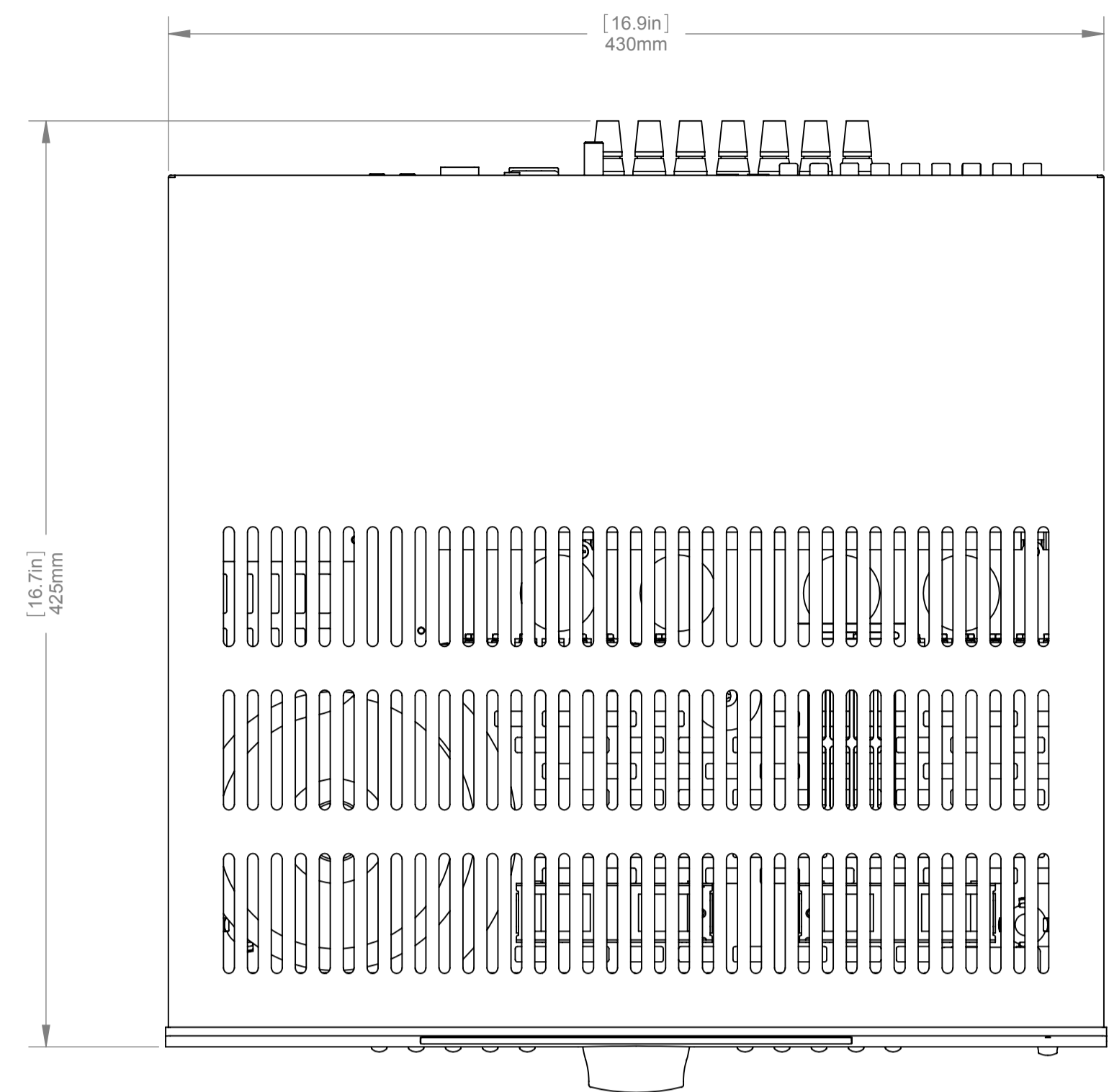
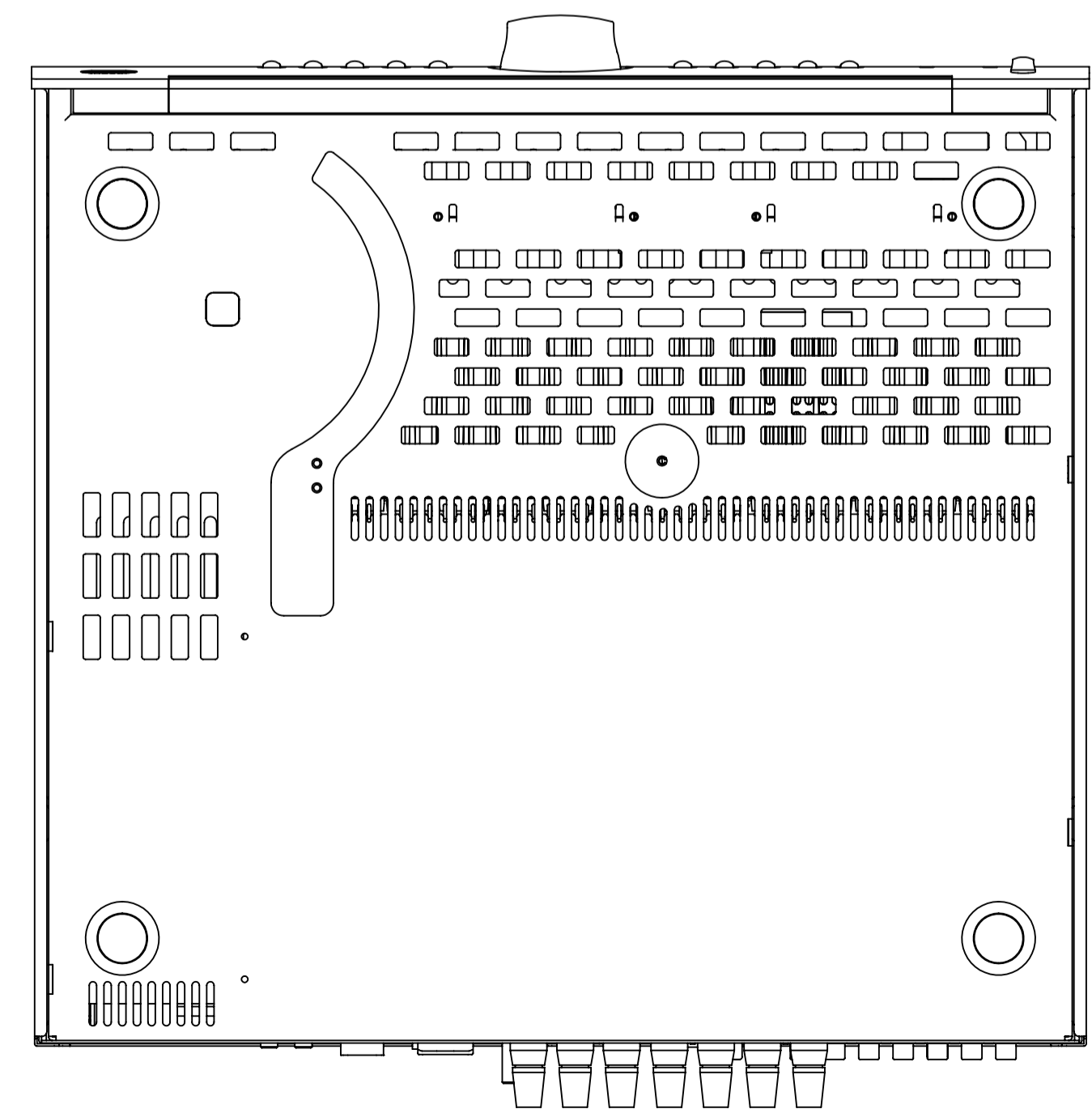


9				10			
ECO NR.	DATE	CHG.	ZONE	DESCRIPTION OF CHANGE	REL.	DR.	CHK.
--	--	--	--	--	--	--	--
--	--	--	--	--	--	--	--
--	--	--	--	--	--	--	--
--	--	--	--	--	--	--	--



REAR VIEW



**NOTE:**  
ALLOW ADEQUATE CLEARANCE  
AROUND THE PRODUCT FOR  
VENTILATION & CONNECTION

<b>ARCAM</b> A & R CAMBRIDGE LTD LINEAR TOLERANCE ±0.2MM UNLESS OTHERWISE STATED ANGULAR TOLERANCE ±1° UNLESS OTHERWISE STATED	ALL DIMENSIONS IN MILLIMETERS UNLESS OTHERWISE STATED	DRAWN BY:	
		DATE:	7-9-2015
MATERIAL:		CHECKED BY:	NC
FINISH:		ORIGINAL SCALE:	1:2.5
PART NUMBER AND DRAWING NUMBER <b>AVR850</b>		SHT. 1 OF 1	
DRAWING TITLE <b>AVR850 ASSEMBLY</b>		A1	

