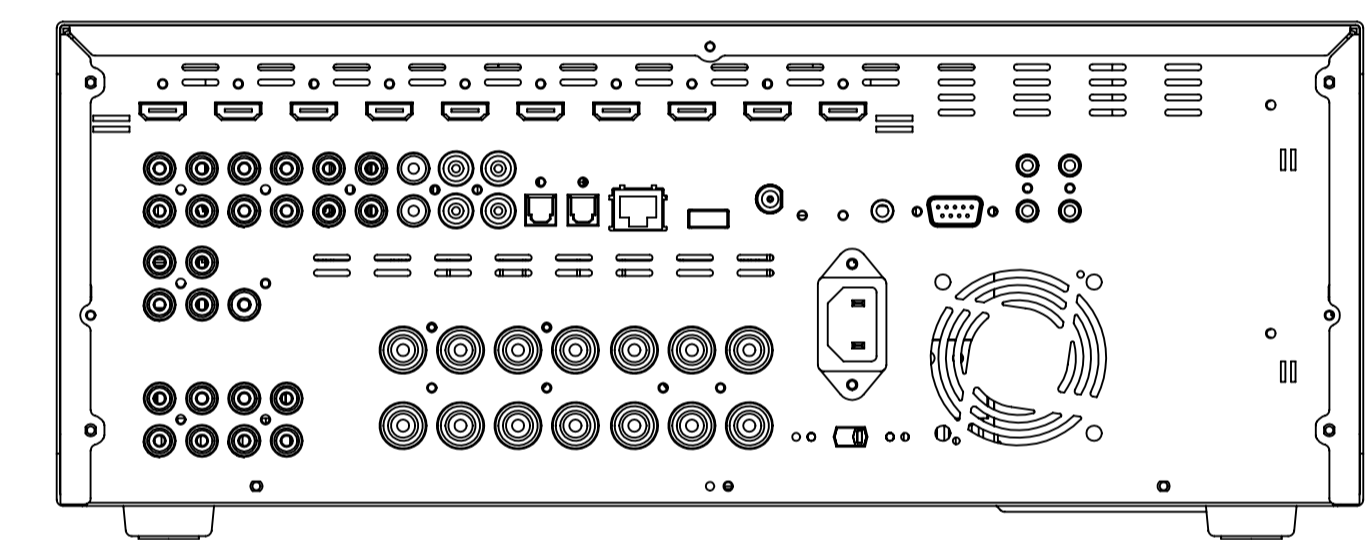
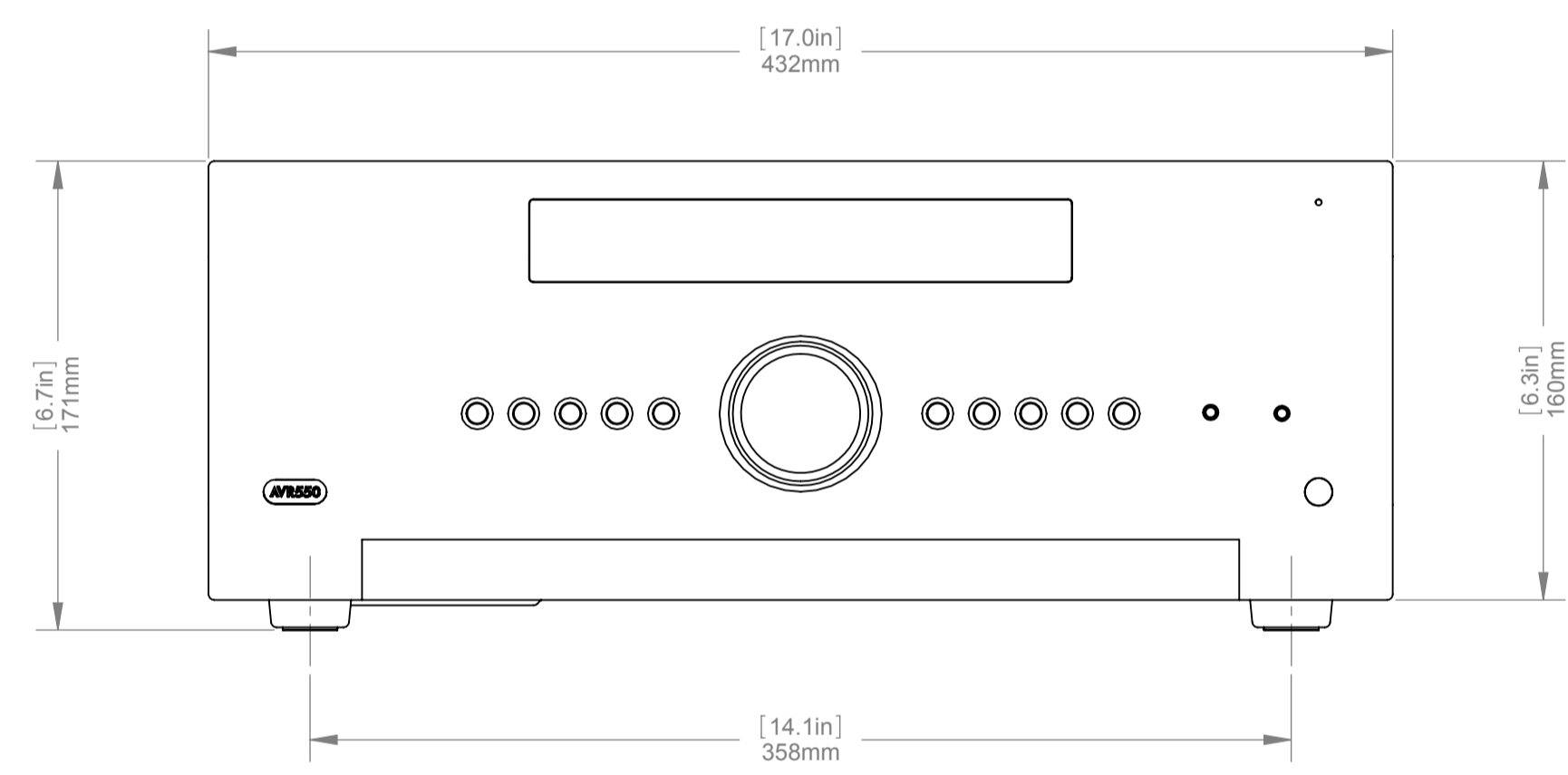
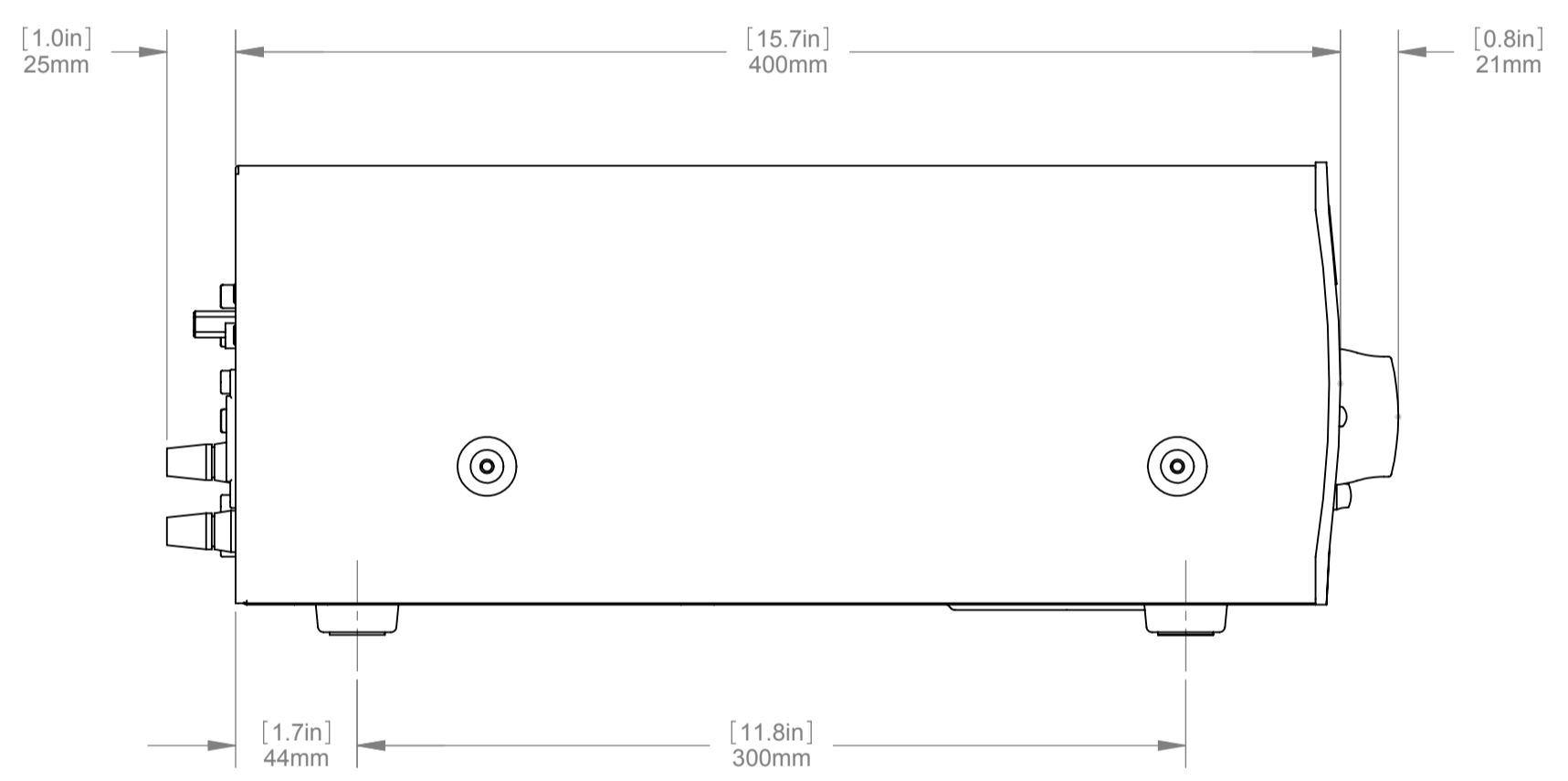
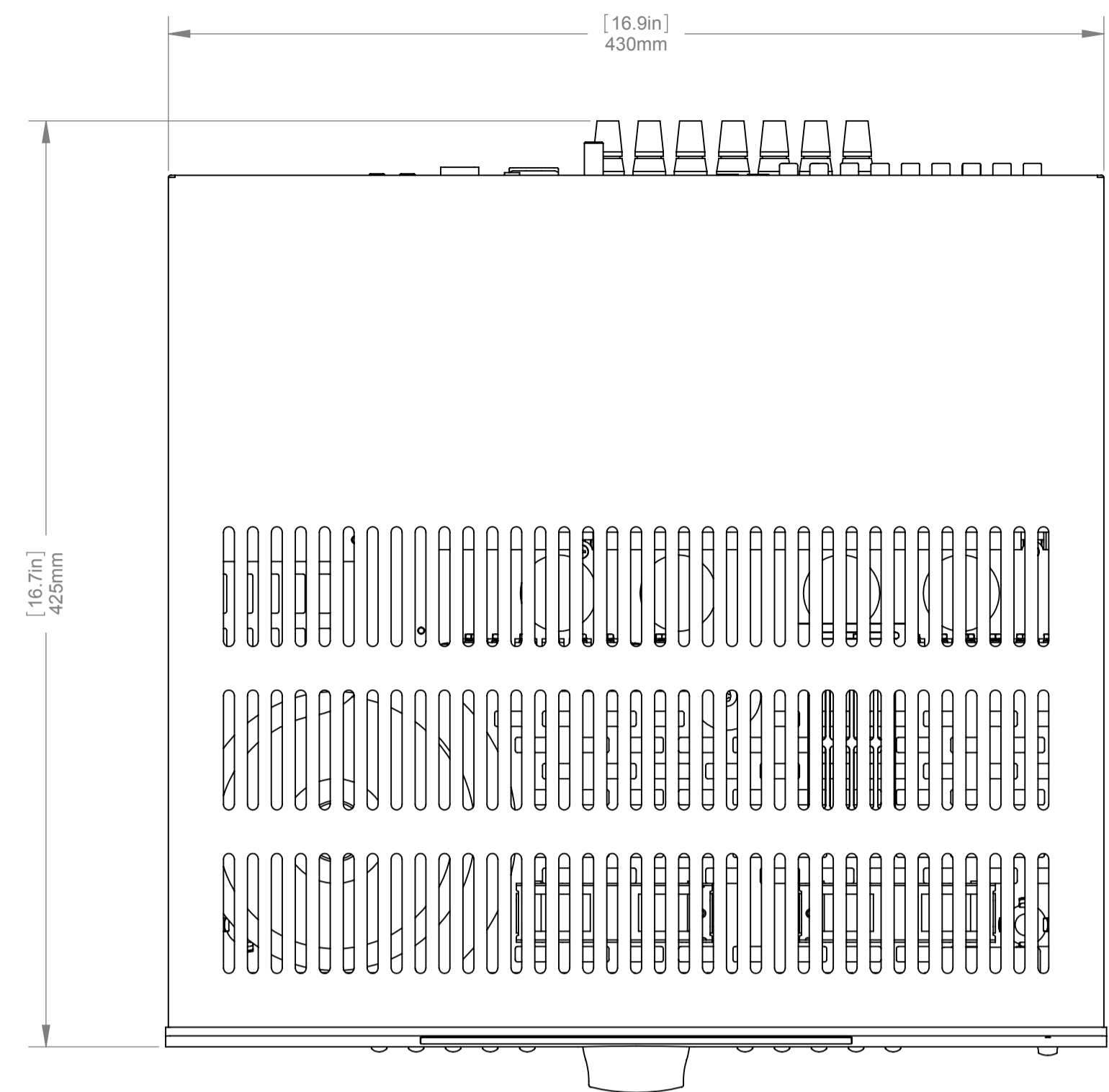
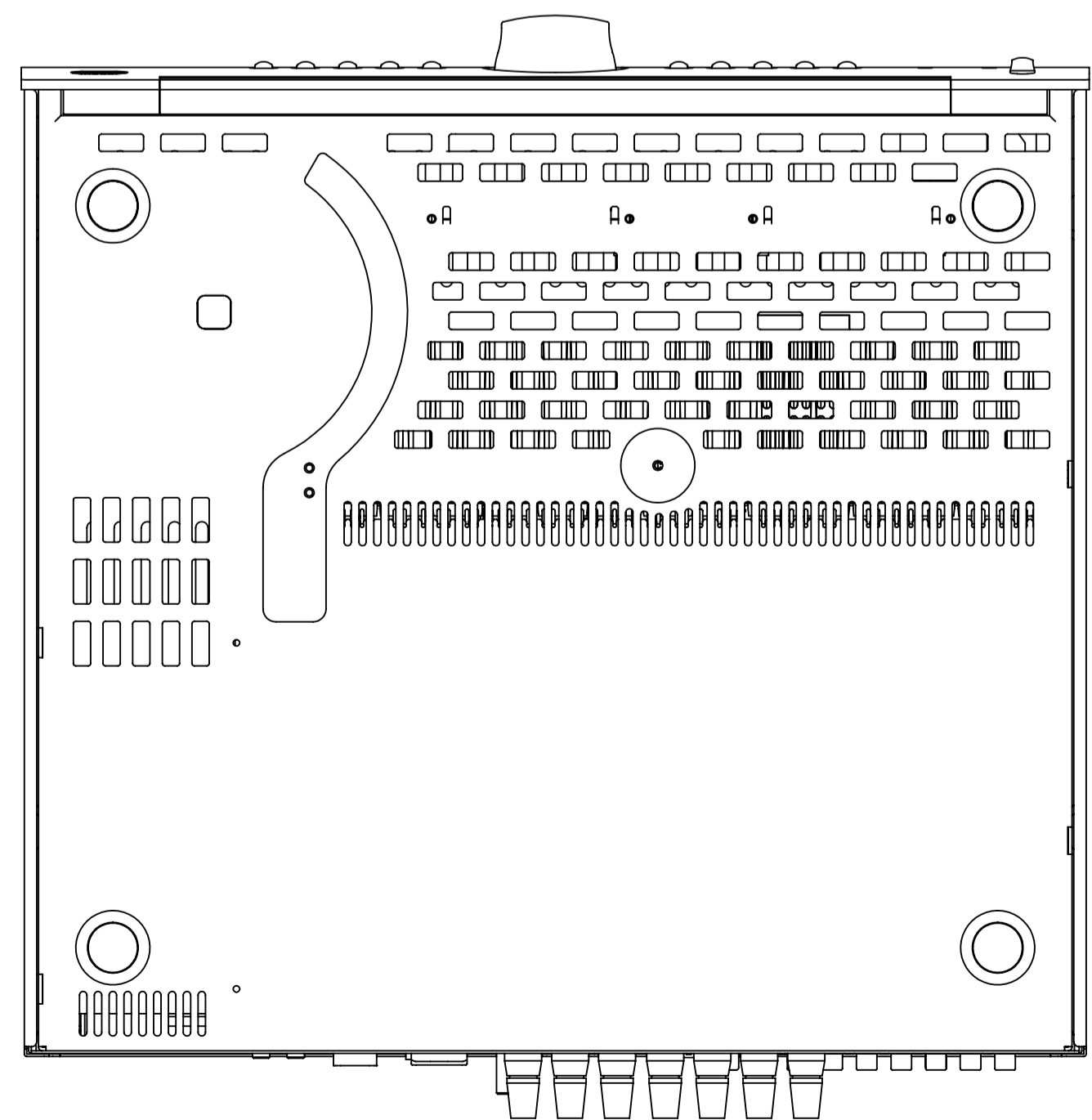


9				10			
ECO NR.	DATE	CHG.	ZONE	DESCRIPTION OF CHANGE	REL.	DR.	CHK.
--	--	--	--	--	--	--	--
--	--	--	--	--	--	--	--
--	--	--	--	--	--	--	--
--	--	--	--	--	--	--	--
--	--	--	--	--	--	--	--



REAR VIEW



NOTE:
ALLOW ADEQUATE CLEARANCE
AROUND THE PRODUCT FOR
VENTILATION & CONNECTION

ARCAM A & R CAMBRIDGE LTD	LINEAR TOLERANCE: ±0.2MM UNLESS OTHERWISE STATED	ALL DIMENSIONS IN MILLIMETERS UNLESS OTHERWISE STATED	DRAWN BY: MCM
	DATE: 24-11-2015		CHECKED BY: NC
MATERIAL:		ORIGINAL SCALE 1:2.5	
FINISH:		SHT. 1 OF 1	
PART NUMBER AND DRAWING NUMBER AVR550			
DRAWING TITLE AVR550 ASSEMBLY		A1	

