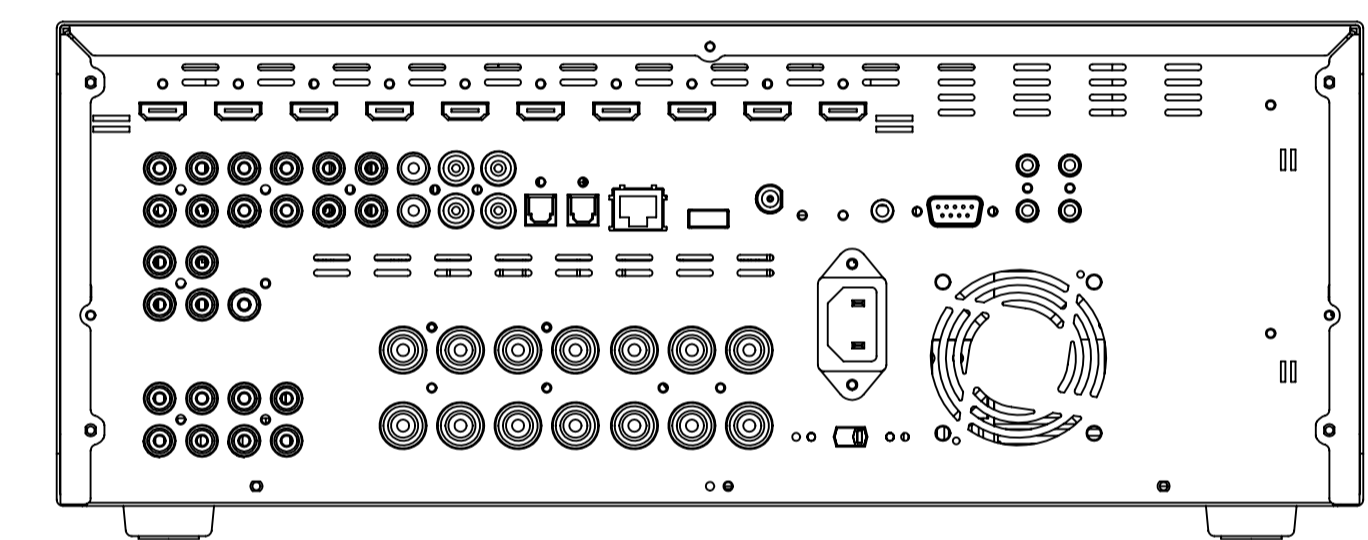
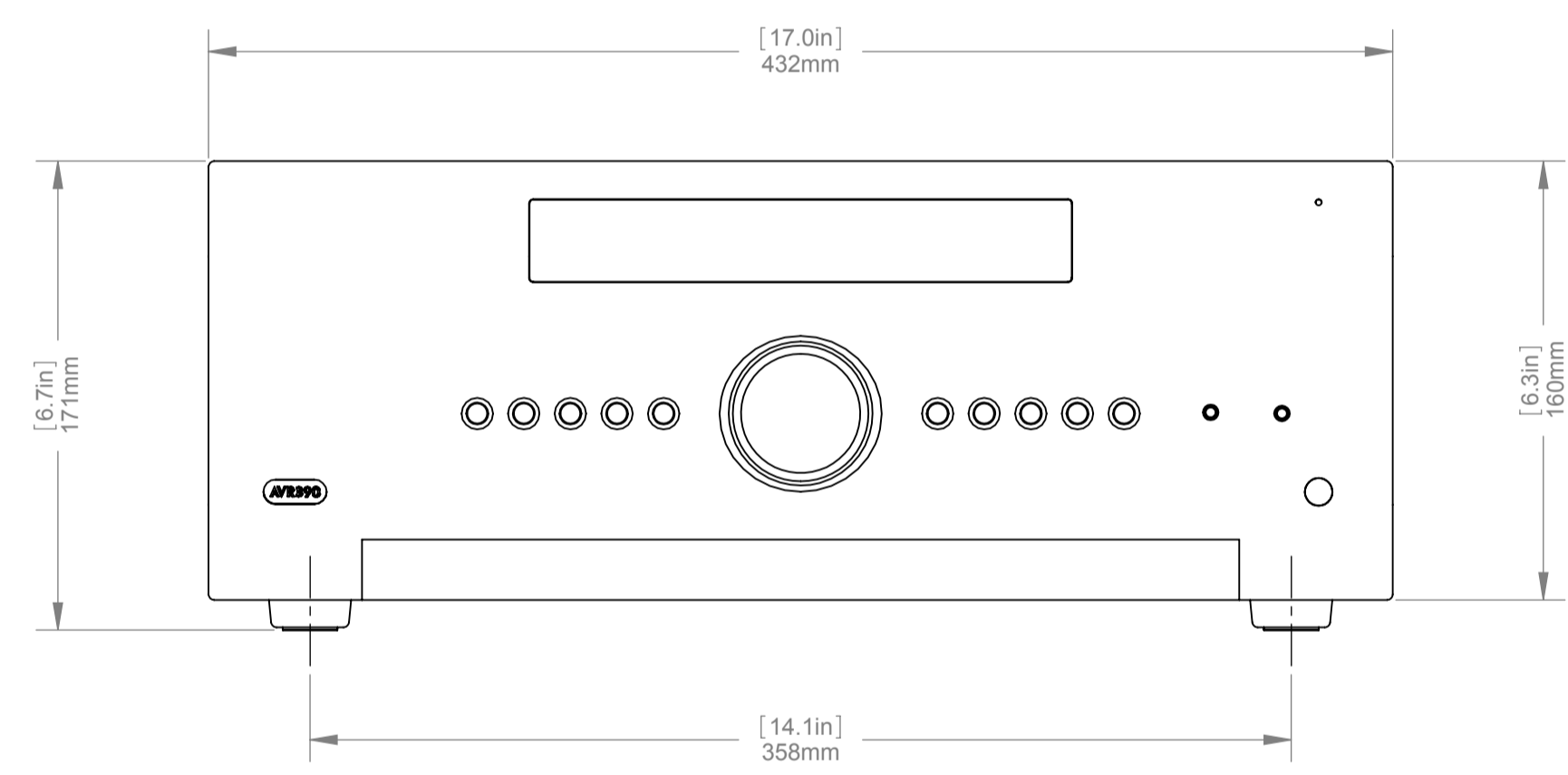
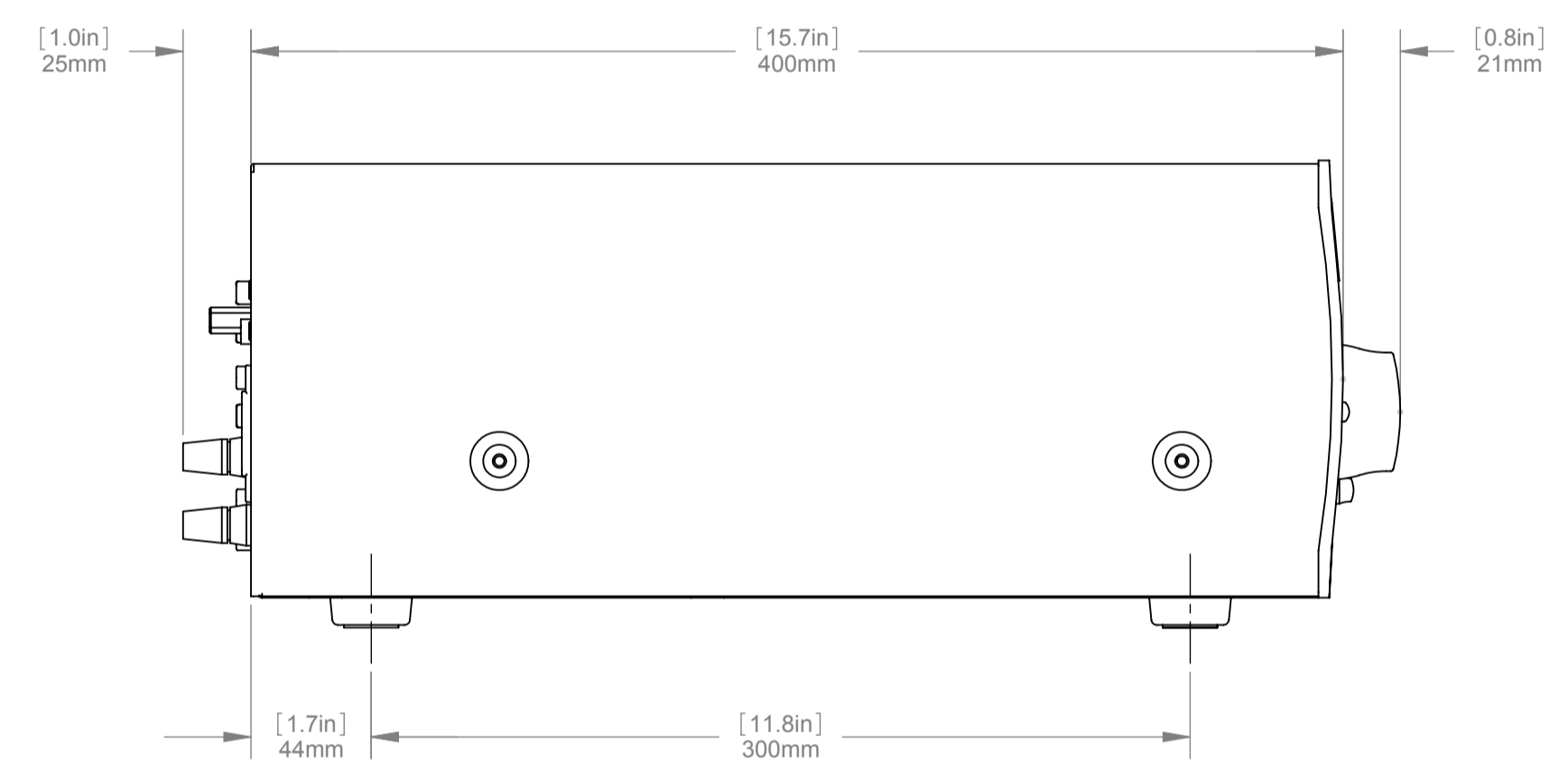
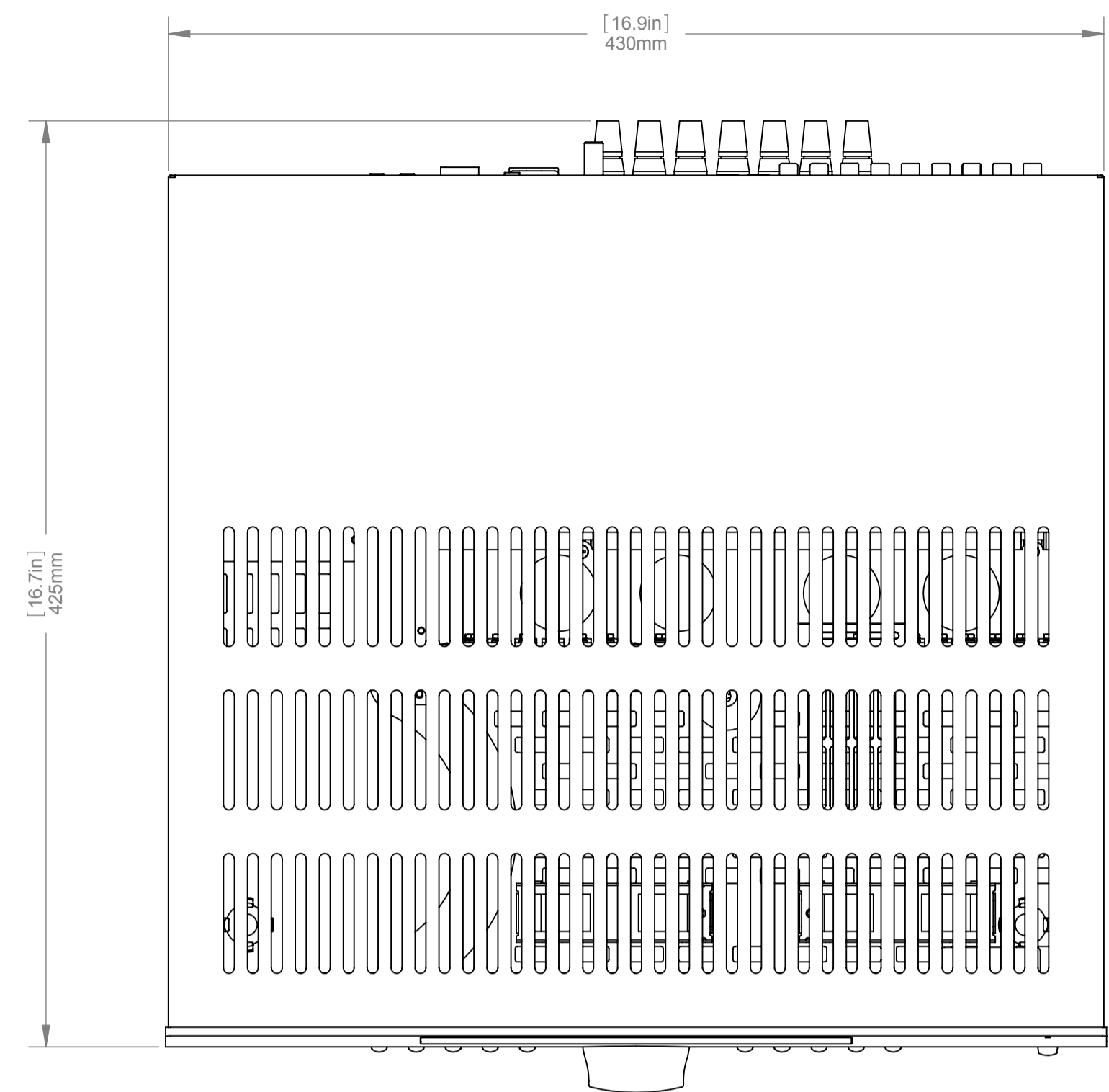
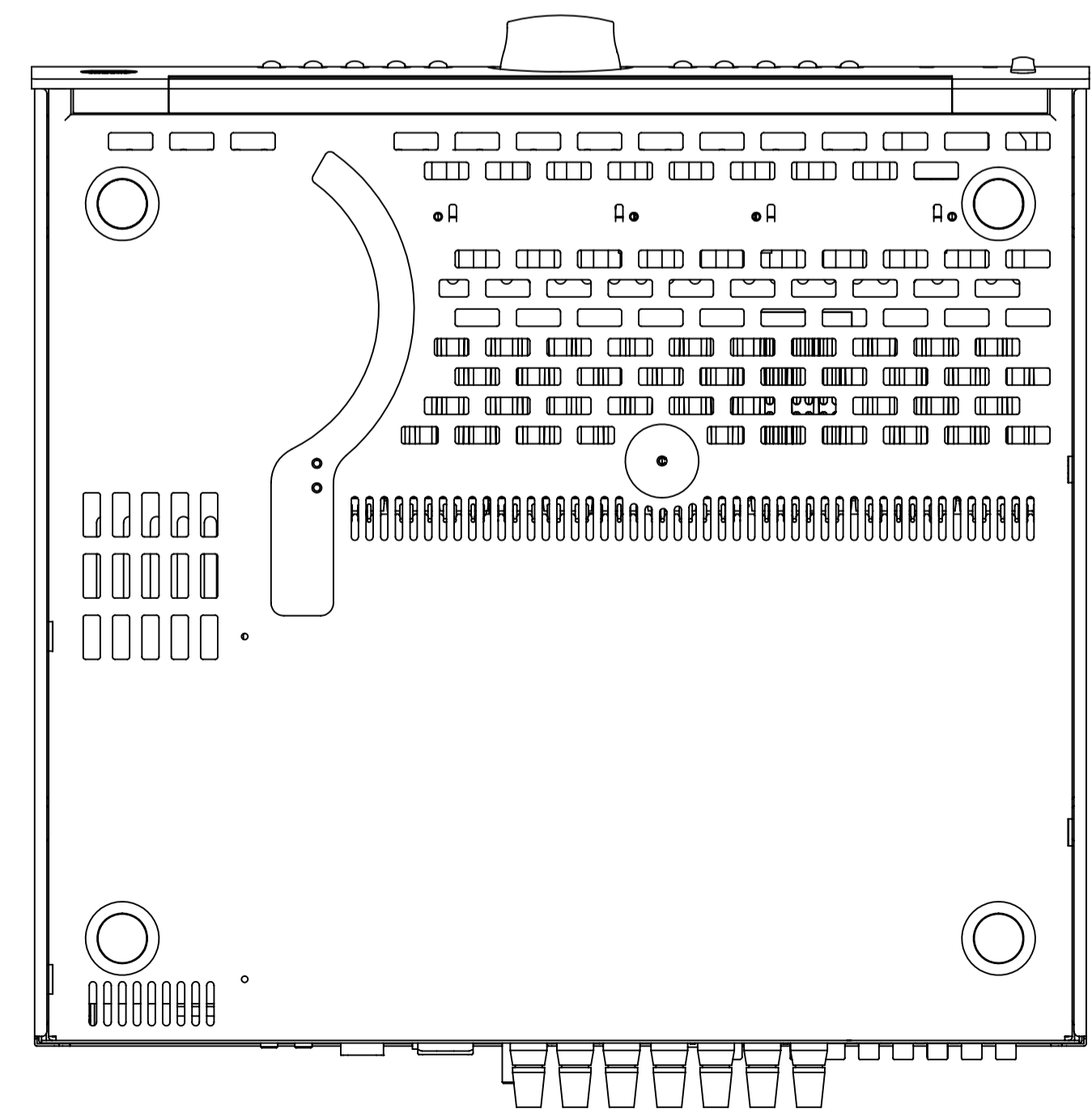


| 9 | | | | 10 | | | |
|---------|------|------|------|-----------------------|------|-----|------|
| ECO NR. | DATE | CHG. | ZONE | DESCRIPTION OF CHANGE | REL. | DR. | CHK. |
| -- | -- | -- | -- | -- | -- | -- | -- |
| -- | -- | -- | -- | -- | -- | -- | -- |
| -- | -- | -- | -- | -- | -- | -- | -- |
| -- | -- | -- | -- | -- | -- | -- | -- |
| -- | -- | -- | -- | -- | -- | -- | -- |



REAR VIEW



NOTE:
ALLOW ADEQUATE CLEARANCE
AROUND THE PRODUCT FOR
VENTILATION & CONNECTION

| | | | |
|--|--|----------------------|-----------|
| ARCAM A & R CAMBRIDGE LTD | | DRAWN BY: | MCM |
| LINEAR TOLERANCE ±0.2MM UNLESS OTHERWISE STATED ANGULAR TOLERANCE ±1° UNLESS OTHERWISE STATED | | DATE: | 11-8-2016 |
| ALL DIMENSIONS IN MILLIMETERS UNLESS OTHERWISE STATED | | CHECKED BY: | NC |
| MATERIAL: | | ORIGINAL SCALE 1:2.5 | |
| FINISH: | | SHT. 1 OF 1 | |
| PART NUMBER AND DRAWING NUMBER AVR390 | | | |
| DRAWING TITLE AVR390 ASSEMBLY | | A1 | |

