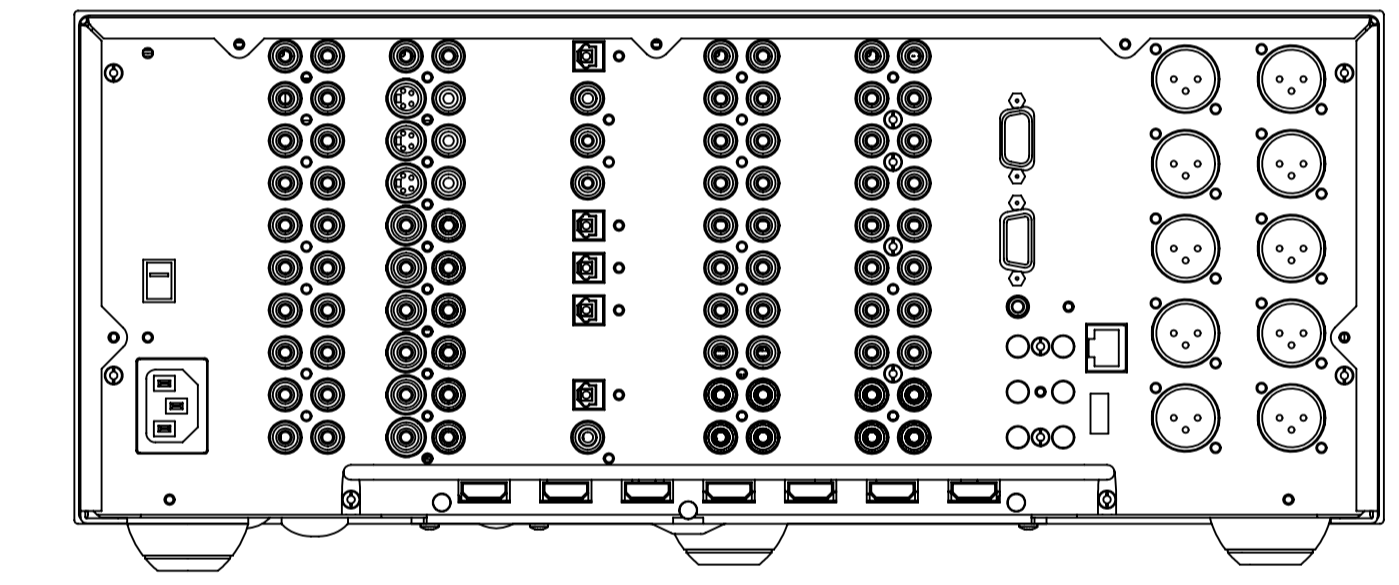
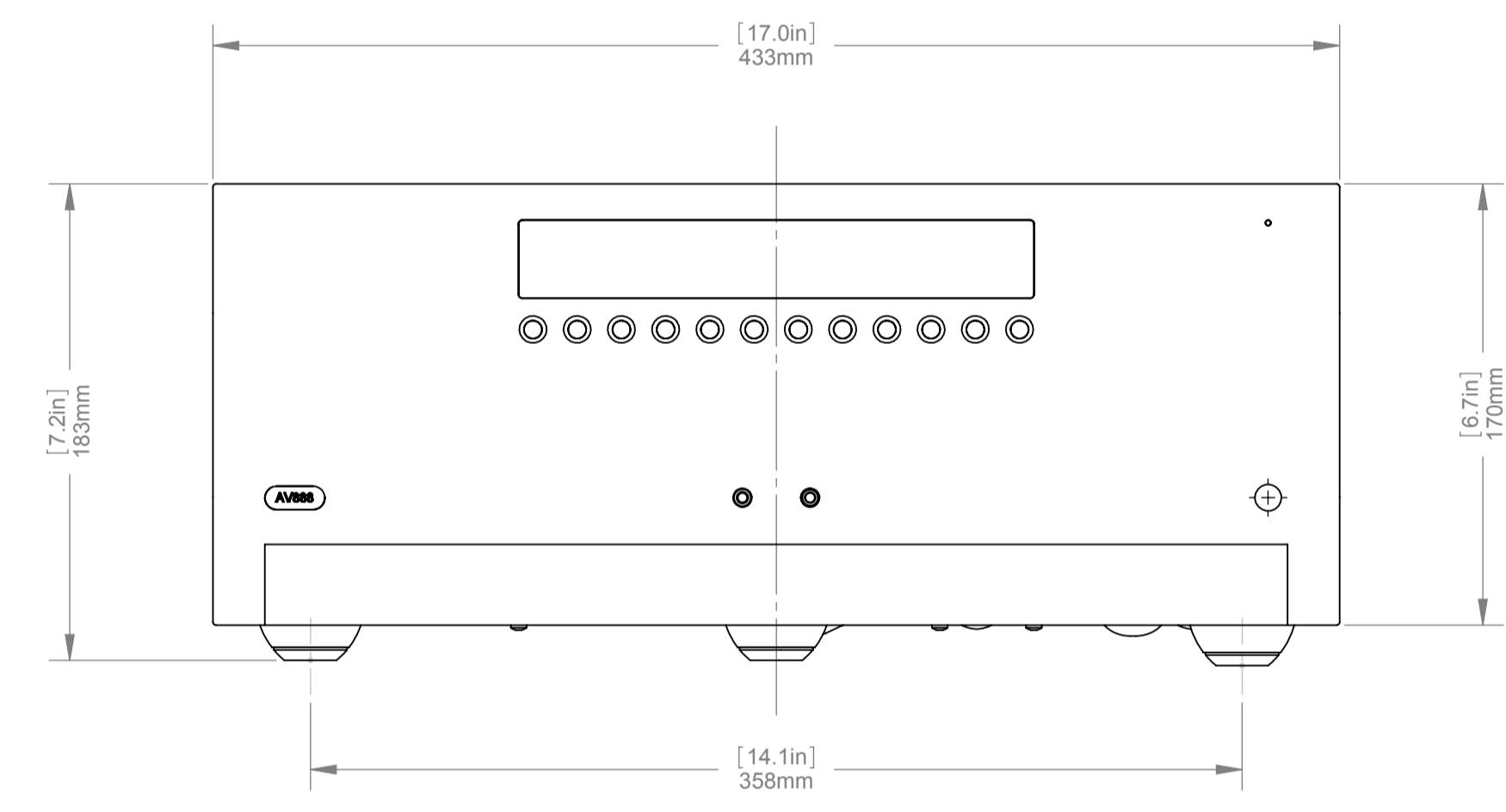
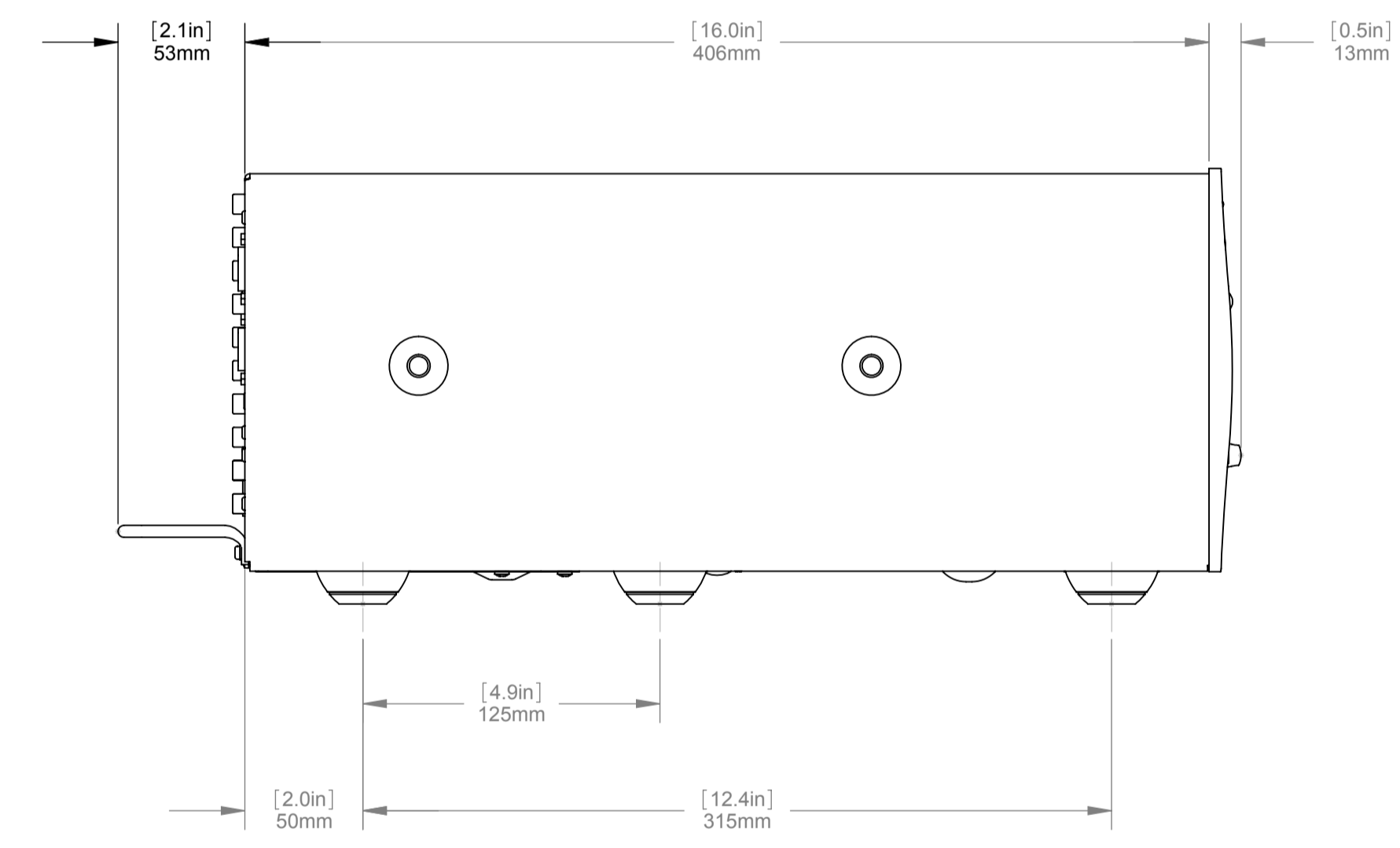
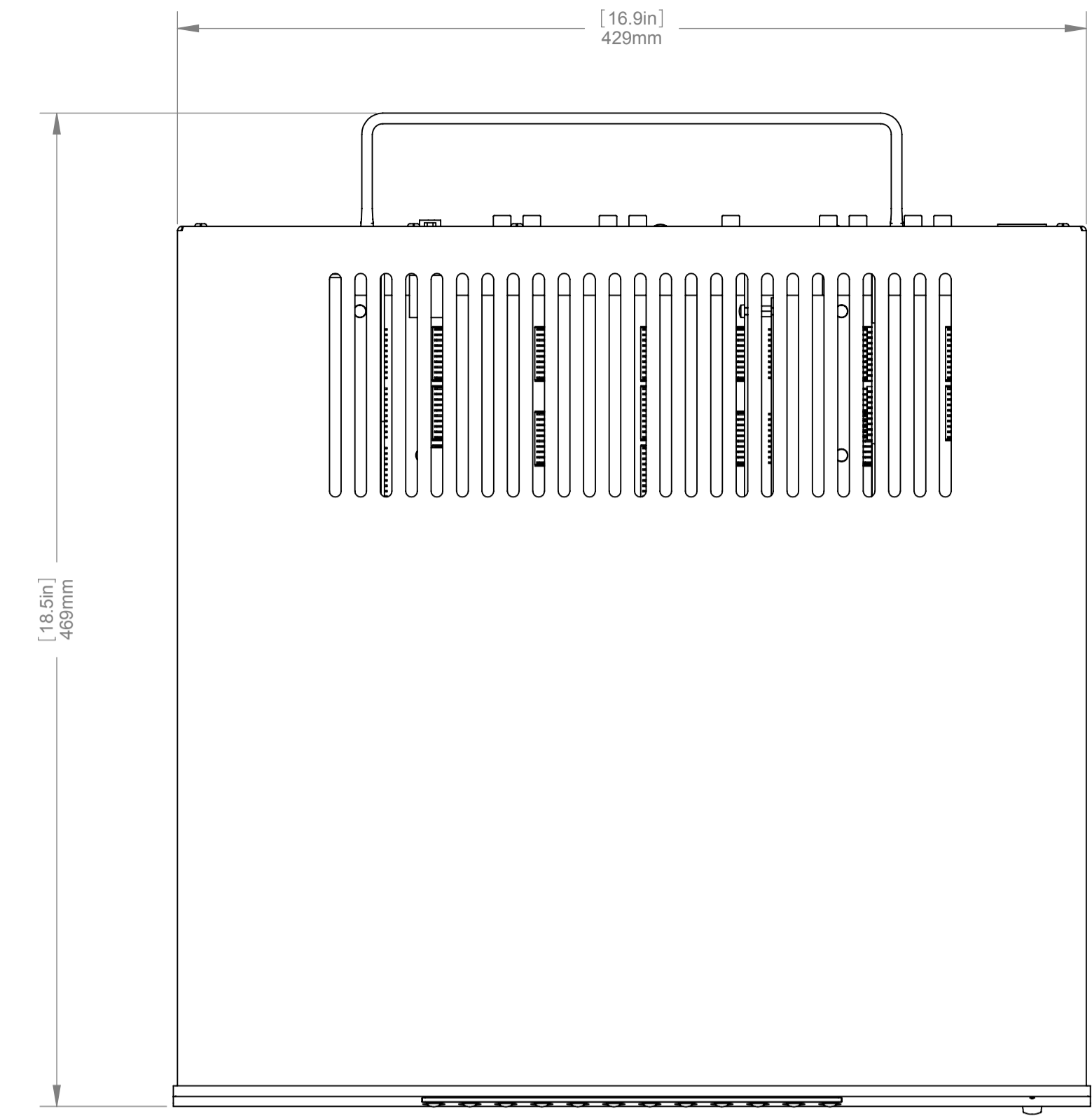
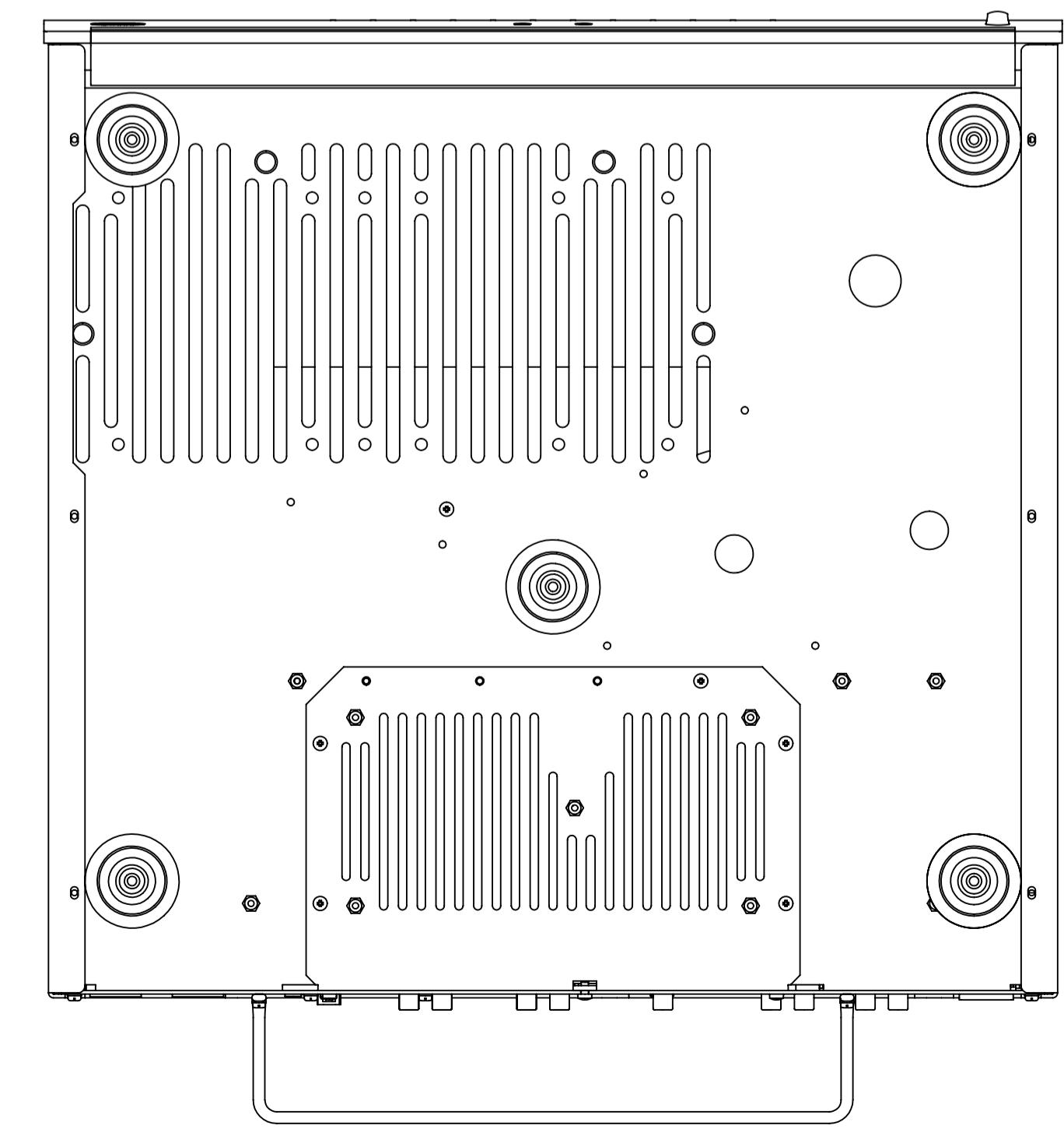


ECO NR.	DATE	CHG.	ZONE	DESCRIPTION OF CHANGE	REL.	DR.	CHK.
--	--	--	--	--	--	--	--
--	--	--	--	--	--	--	--
--	--	--	--	--	--	--	--
--	--	--	--	--	--	--	--



REAR VIEW



NOTE:
ALLOW ADEQUATE CLEARANCE
AROUND THE PRODUCT FOR
VENTILATION & CONNECTION

ARCAM <small>LINEAR TOLERANCE: ±0.2MM UNLESS OTHERWISE STATED ANGULAR TOLERANCE: ±1° UNLESS OTHERWISE STATED</small>	<small>A & R CAMBRIDGE LTD</small>	<small>DRAWN BY:</small> MCM
	<small>ALL DIMENSIONS IN MILLIMETERS UNLESS OTHERWISE STATED</small>	<small>DATE:</small> 30-4-2010
<small>MATERIAL:</small>	<small>CHECKED BY:</small> MGB	<small>ORIGINAL SCALE:</small> 1:2.5
<small>FINISH:</small>	<small>SHT. 1 OF 1</small>	
<small>PART NUMBER AND DRAWING NUMBER</small> AV888		
<small>DRAWING TITLE</small> AV888 ASSEMBLY		

