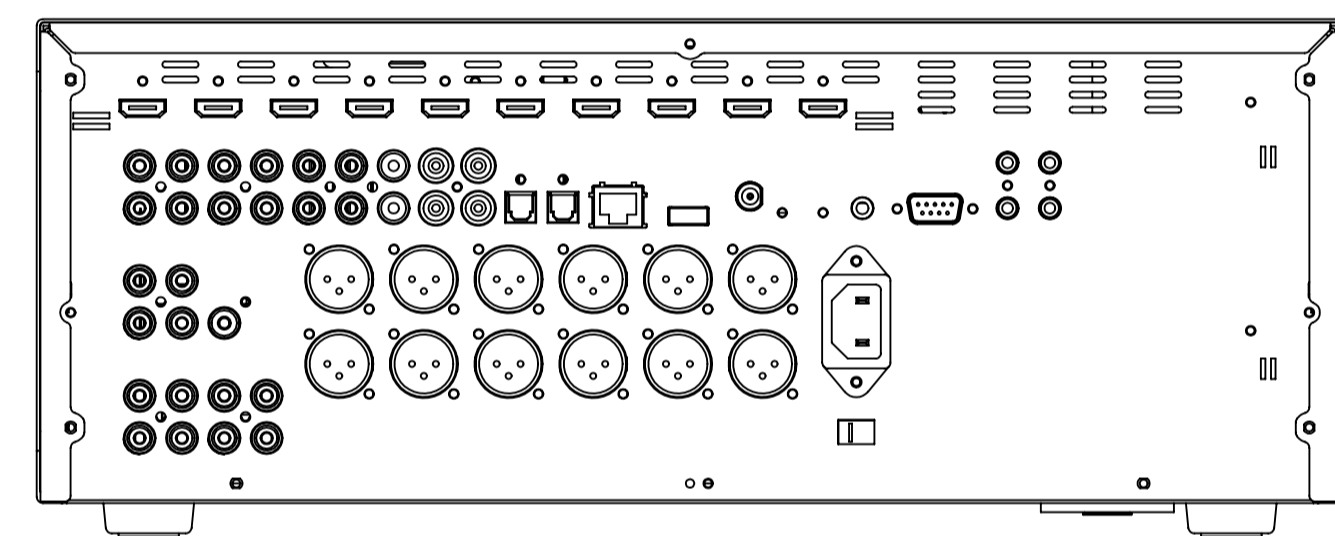
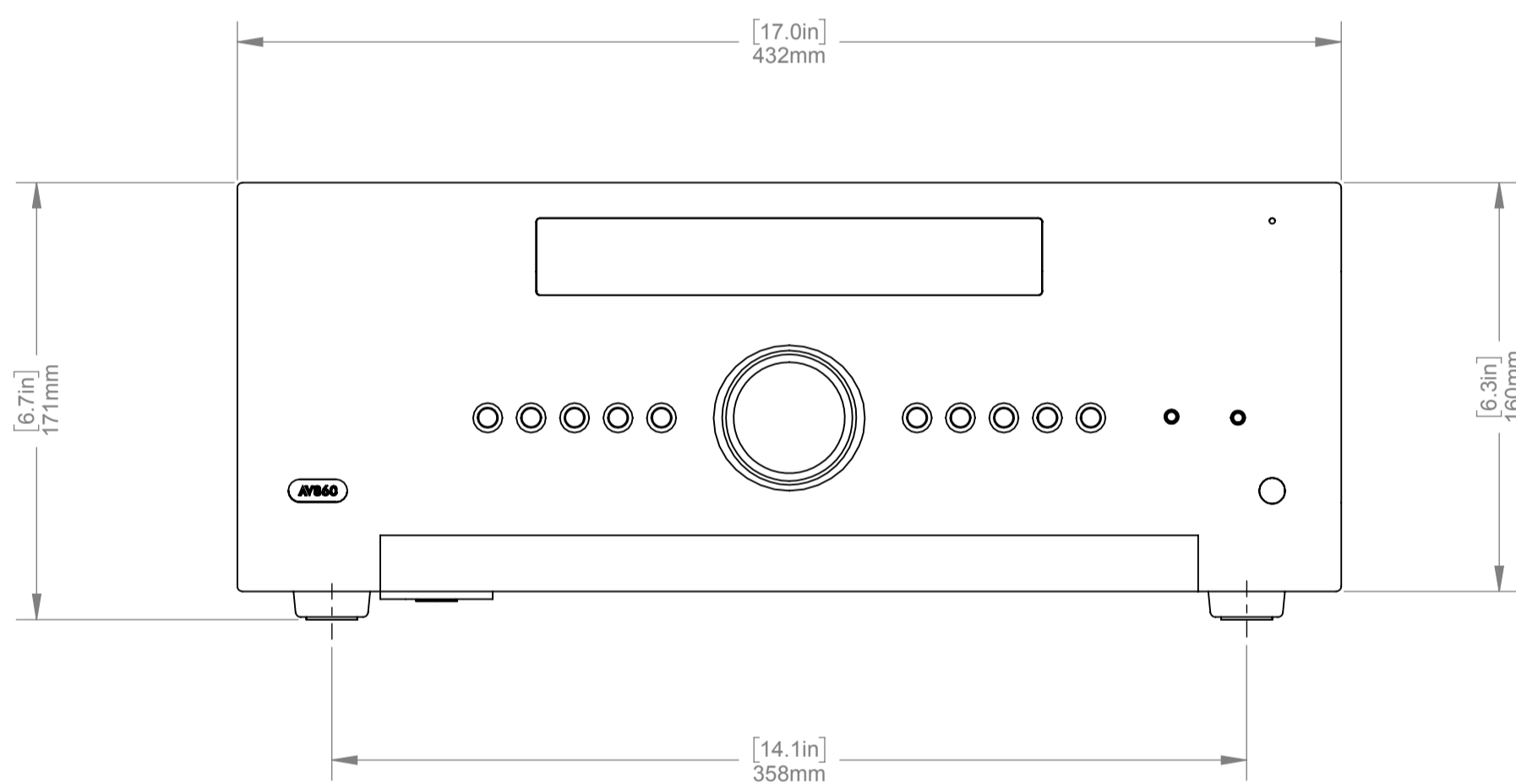
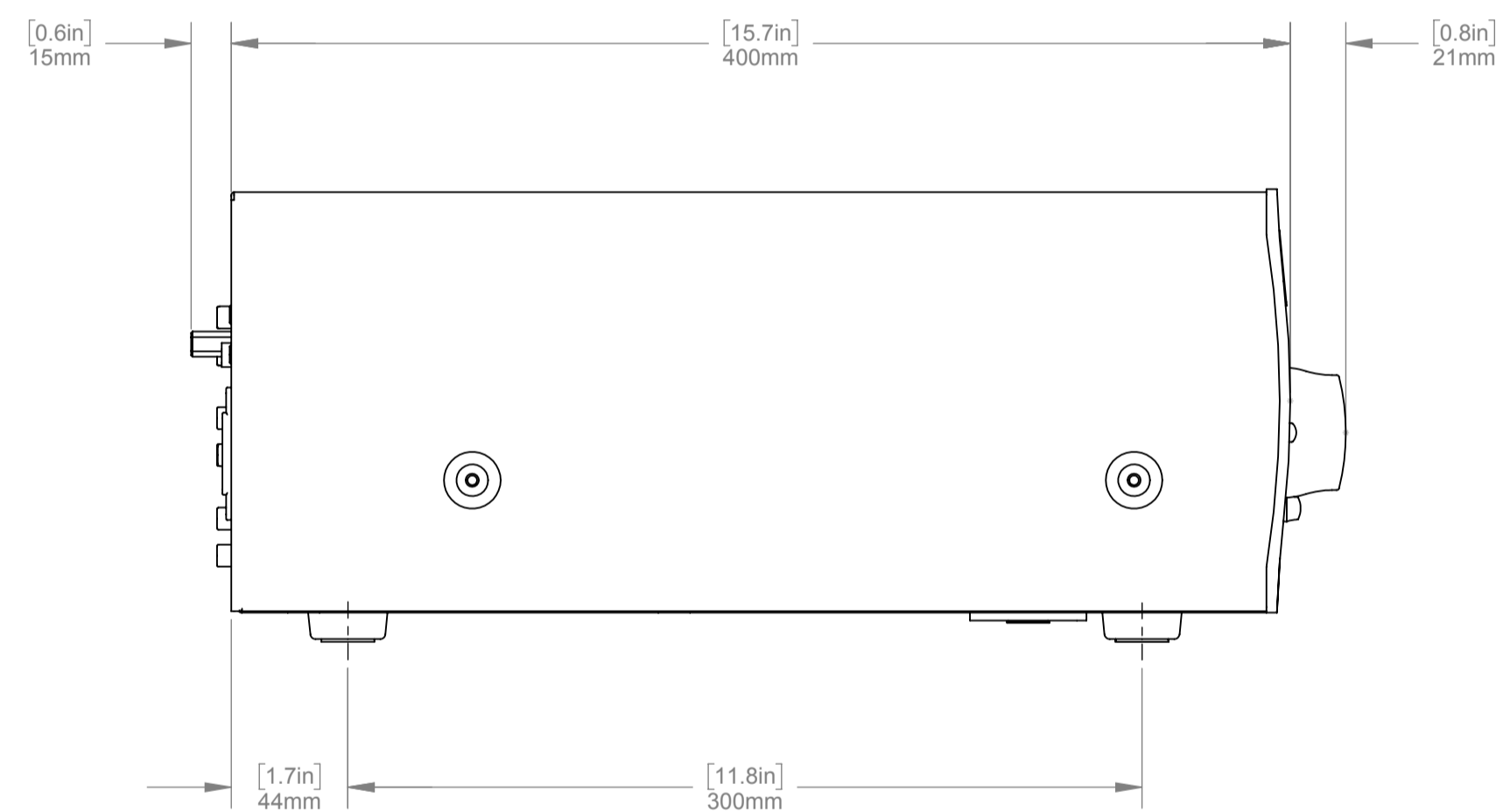
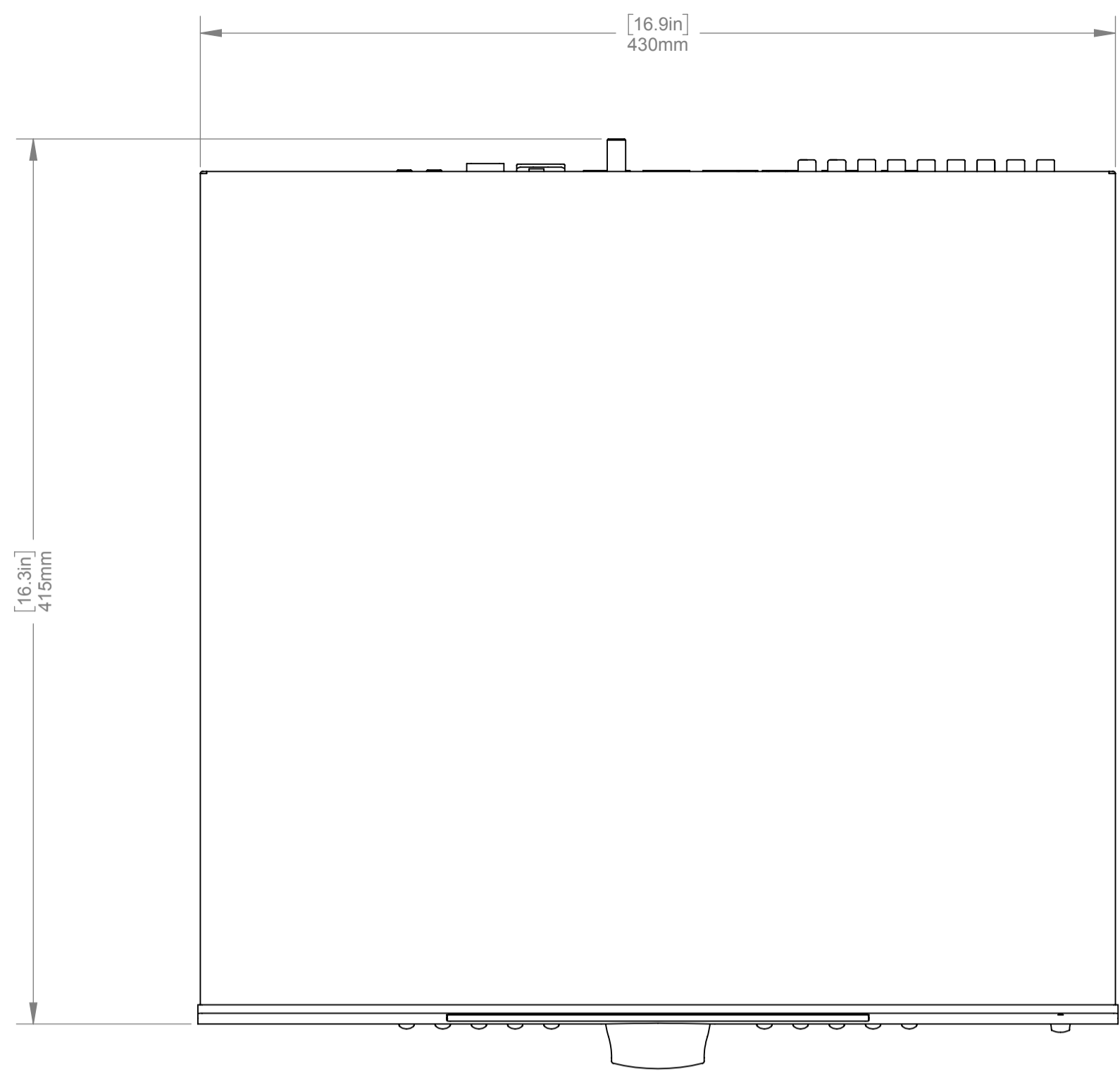
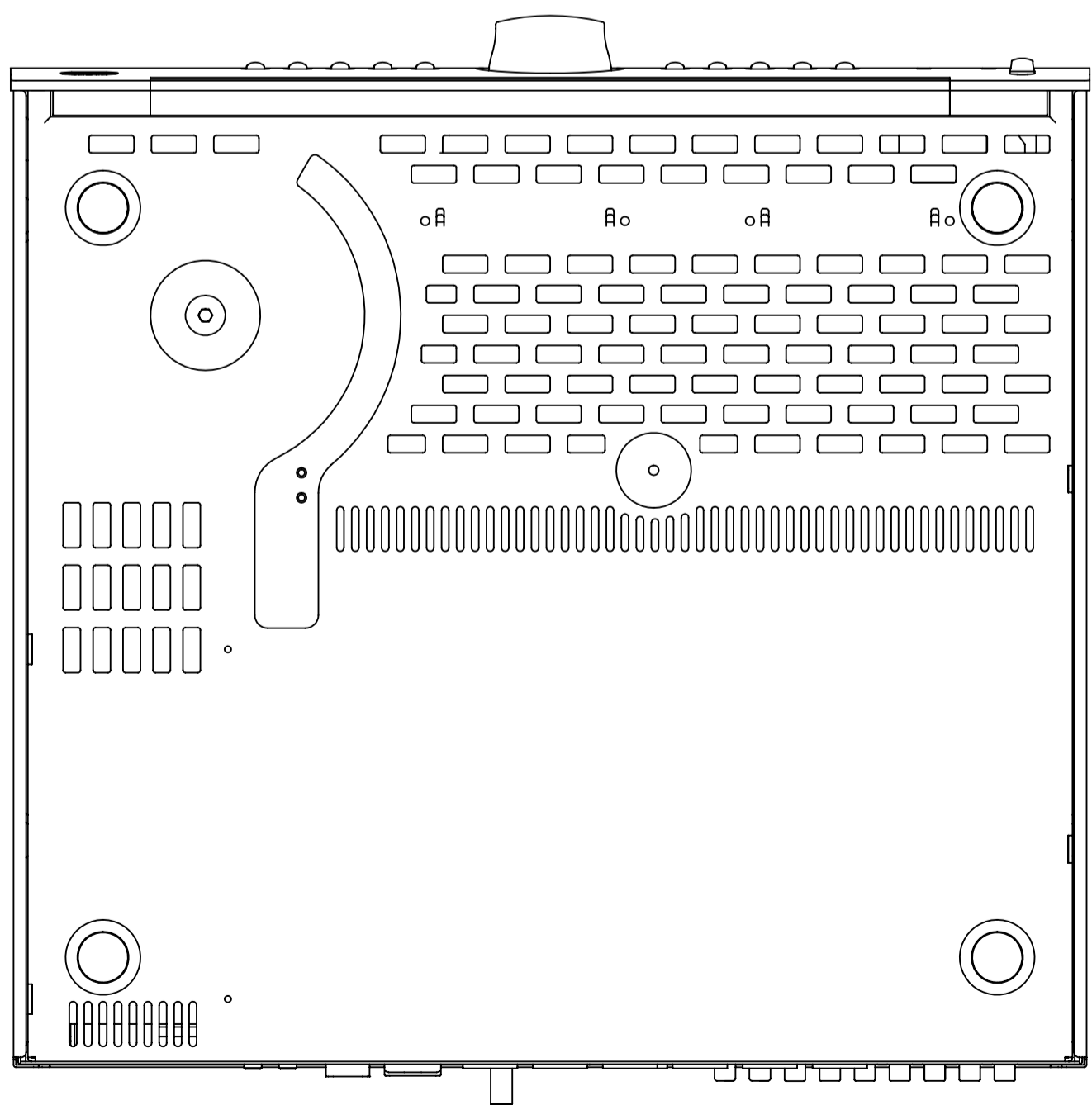


ECO NR.	DATE	CHG.	ZONE	DESCRIPTION OF CHANGE	REL.	DR.	CHK.
--	--	--	--	--	--	--	--
--	--	--	--	--	--	--	--
--	--	--	--	--	--	--	--
--	--	--	--	--	--	--	--



REAR VIEW



**NOTE:**

ALLOW ADEQUATE CLEARANCE  
AROUND THE PRODUCT FOR  
VENTILATION & CONNECTION

<b>ARCAM</b> <small>LINEAR TOLERANCE: ±0.2MM UNLESS OTHERWISE STATED</small> <small>ANGULAR TOLERANCE: ±1° UNLESS OTHERWISE STATED</small>	A & R CAMBRIDGE LTD	DRAWN BY:	MCM
		DATE:	11-8-2016
		CHECKED BY:	NC
		ORIGINAL SCALE:	1:2.5
MATERIAL:		SHT. 1 OF 1	
PART NUMBER AND DRAWING NUMBER			
AV860			
DRAWING TITLE		A1	
AV860 ASSEMBLY			

