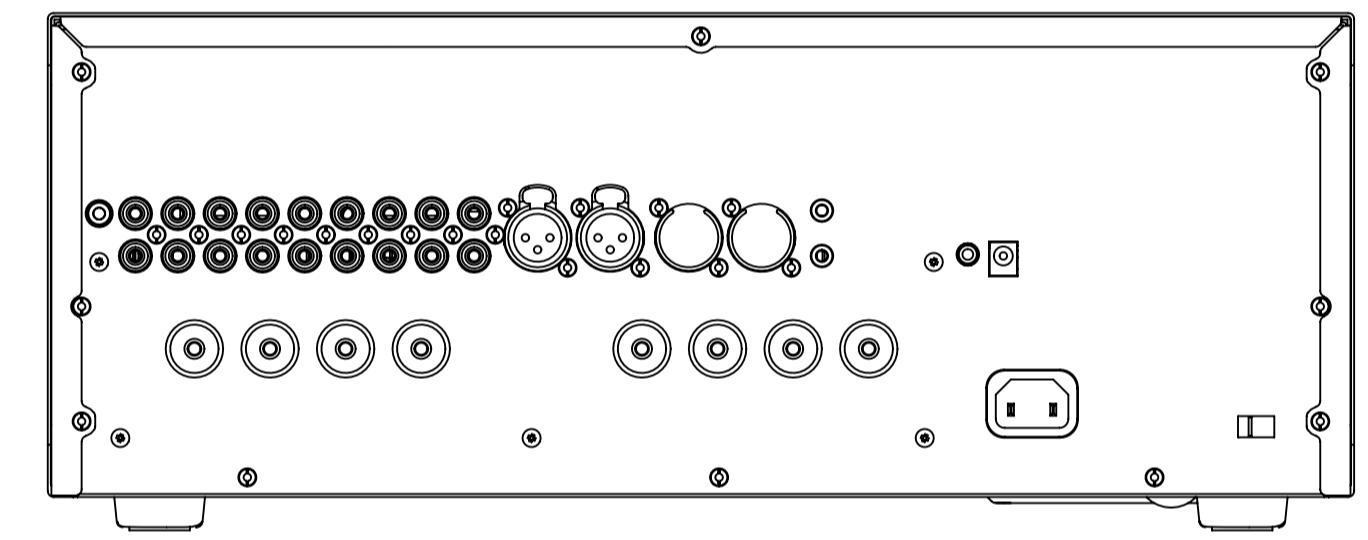
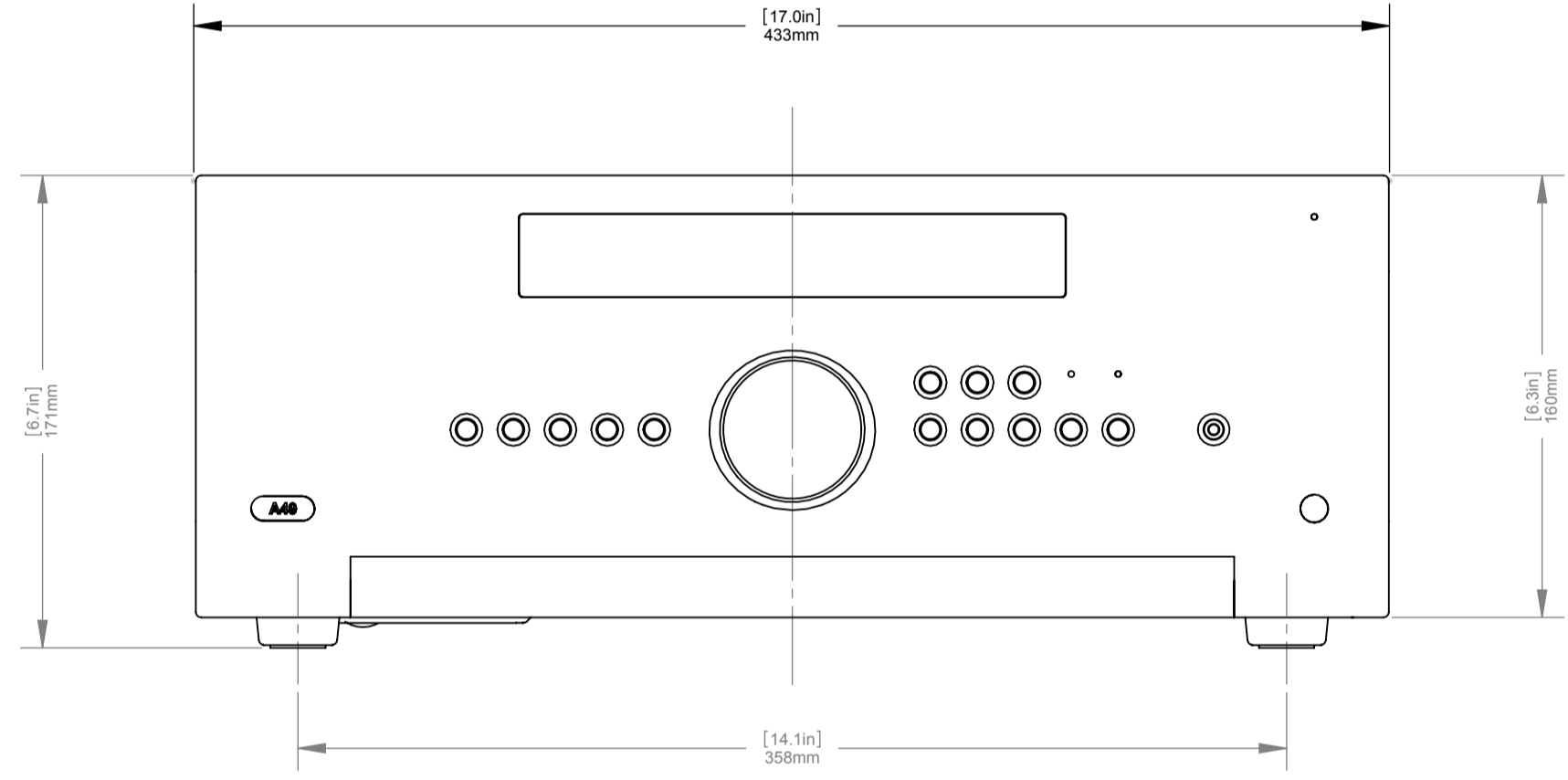
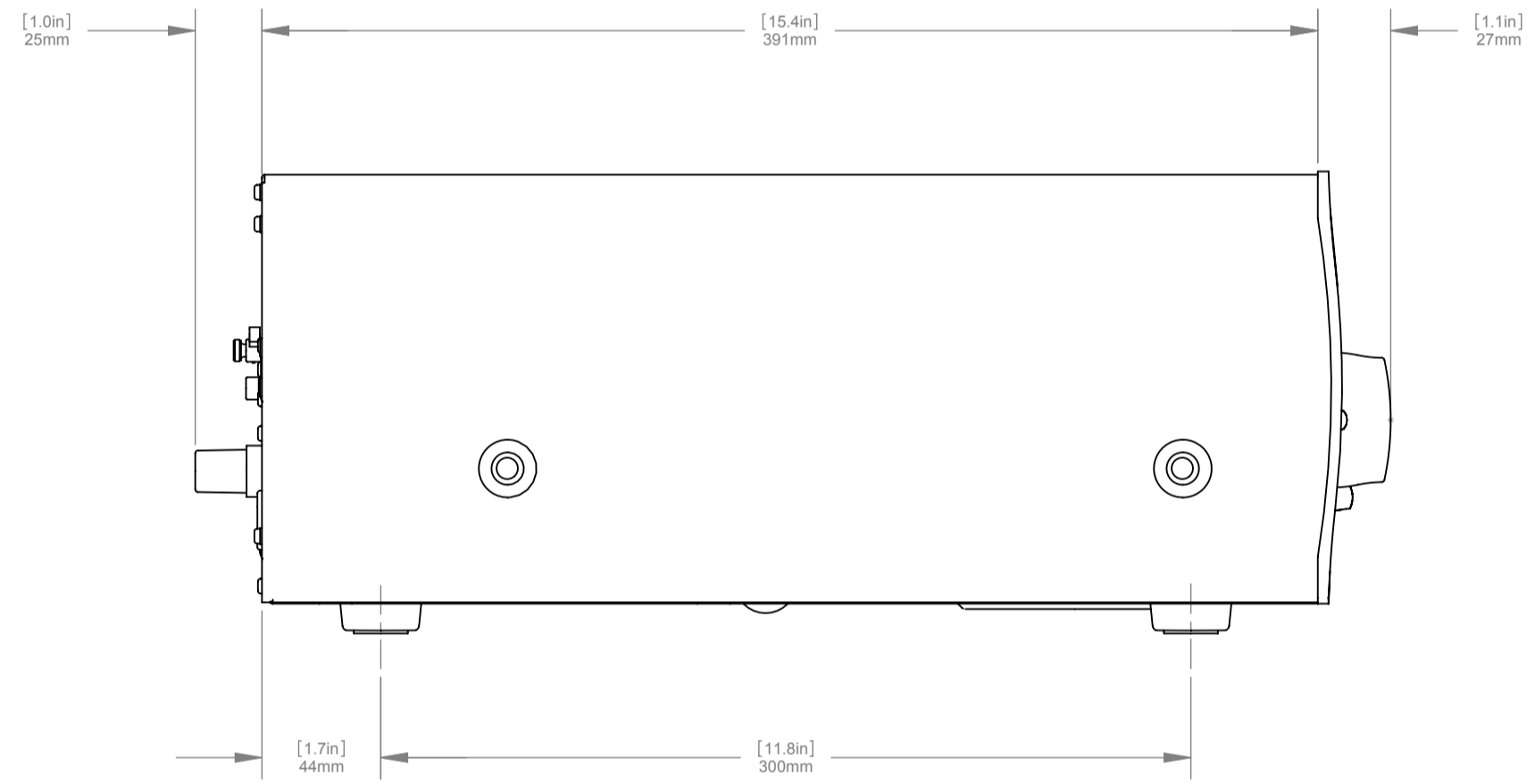
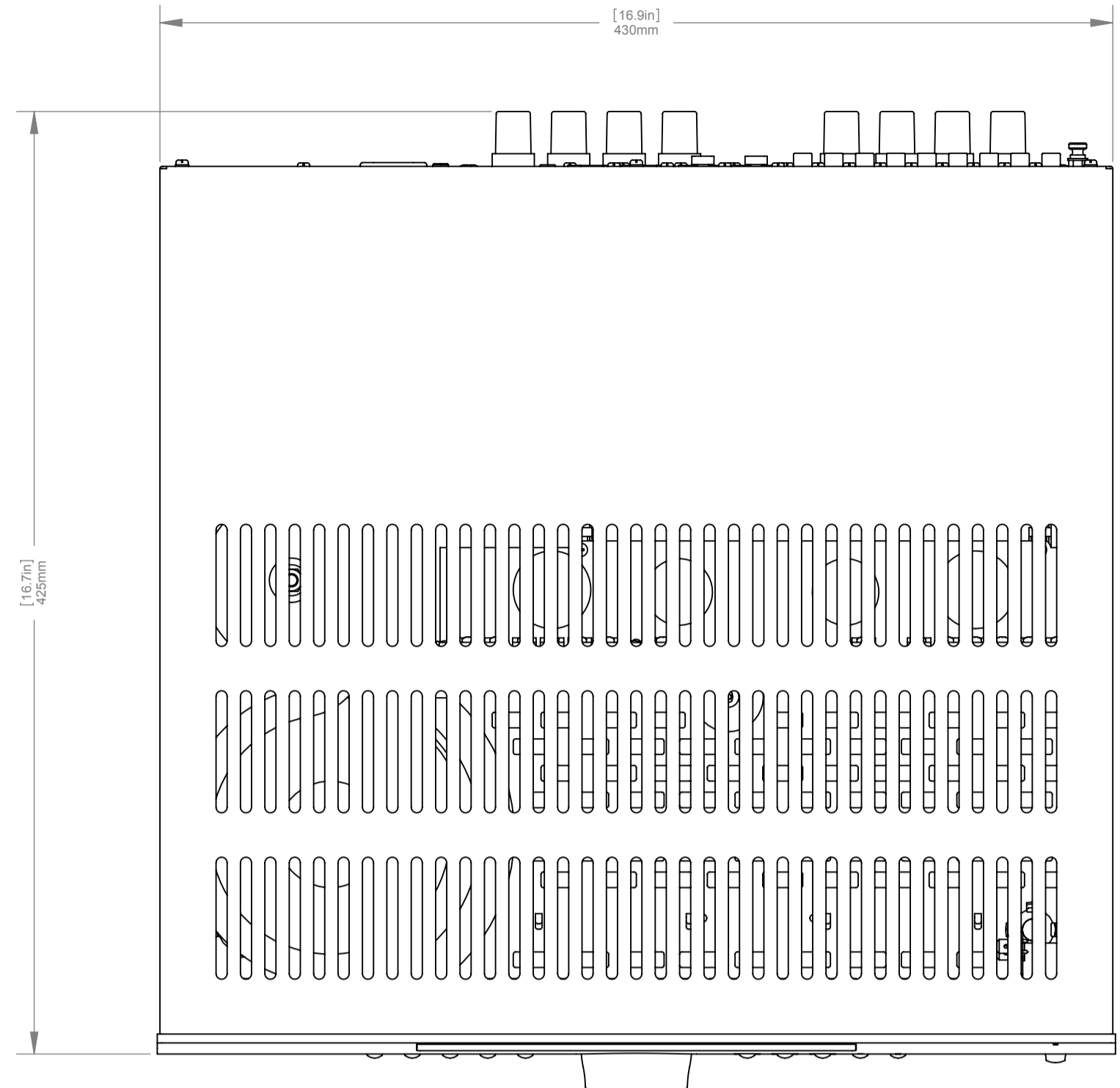
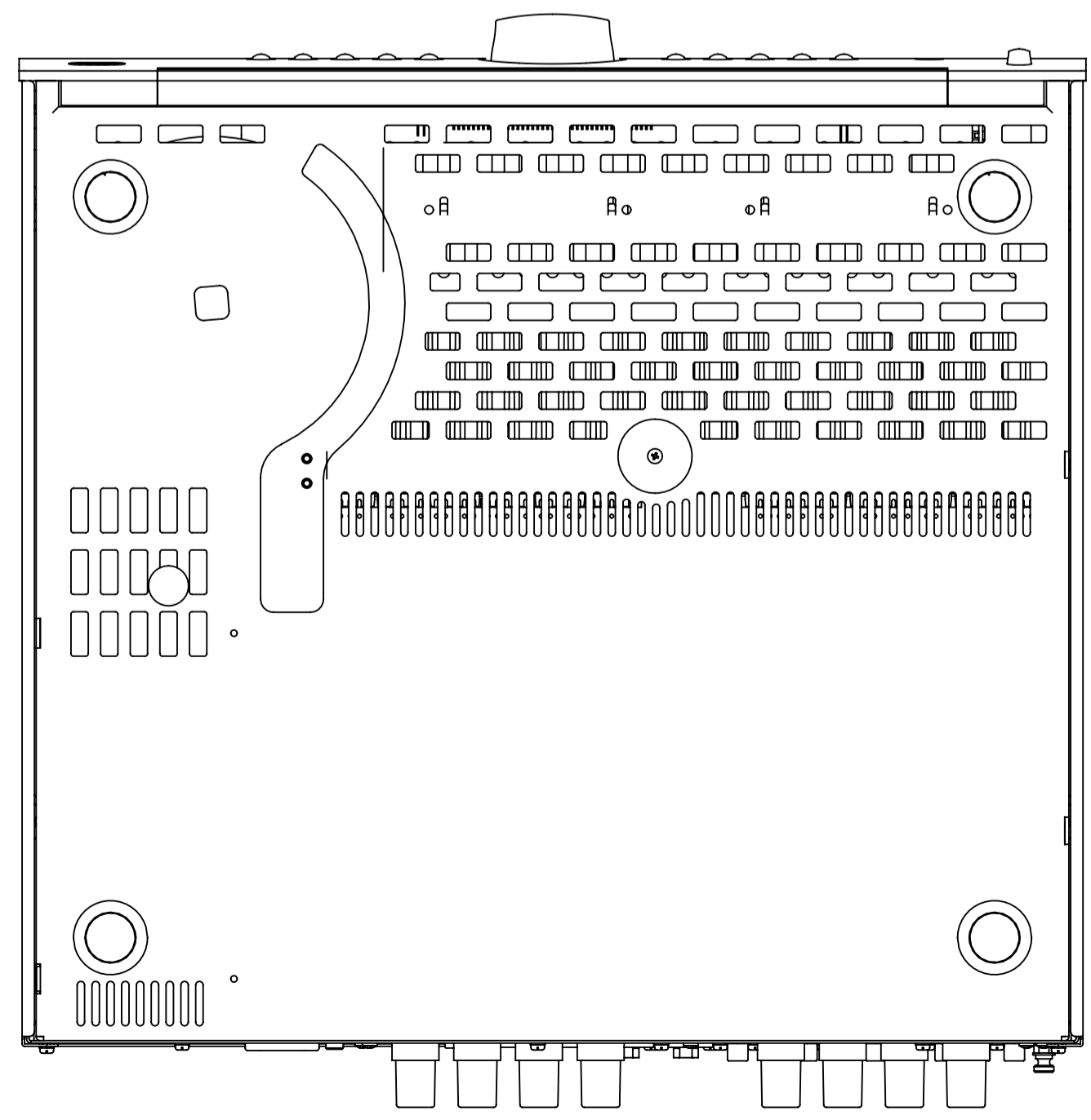


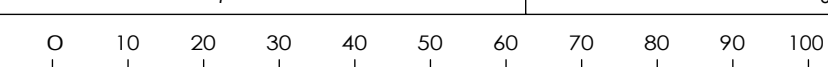
9				10		
ECO NR.	DATE	CHG.	ZONE	DESCRIPTION OF CHANGE	REL.	CHK.



REAR VIEW



NOTE:
ALLOW ADEQUATE CLEARANCE
AROUND THE PRODUCT FOR
VENTILATION & CONNECTION



ARCAM A & R CAMBRIDGE LTD LINEAR TOLERANCE ±0.2MM UNLESS OTHERWISE STATED ANGULAR TOLERANCE ±1° UNLESS OTHERWISE STATED	DATE:	18-3-2014	DRAWN BY:	MCM
	CHECKED BY:	NC	ORIGINAL SCALE:	1:2.5
MATERIAL:		SHT 1 OF 1		
PART NUMBER AND DRAWING NUMBER		A49		
DRAWING TITLE		A49 ASSEMBLY		

A1