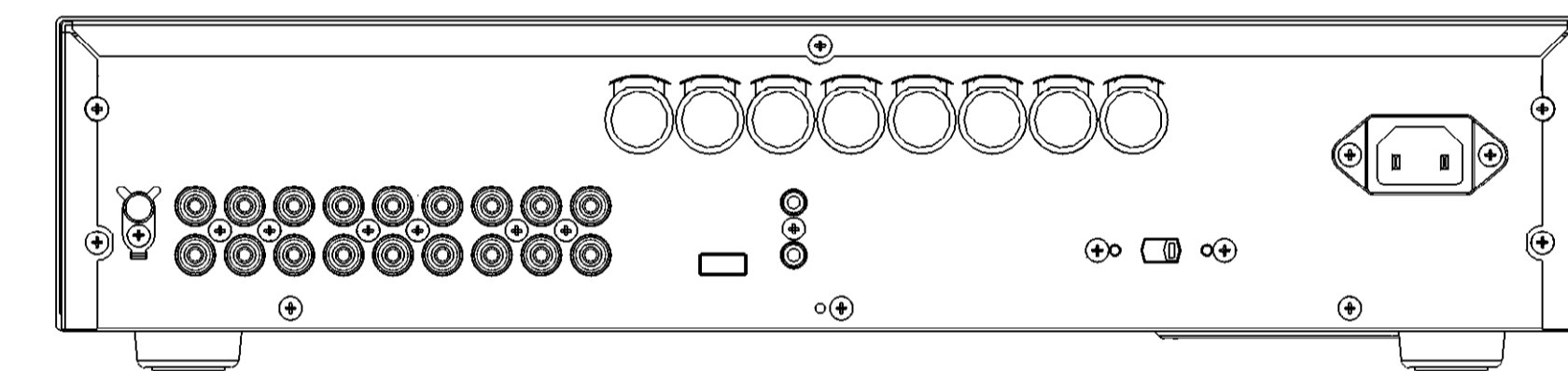
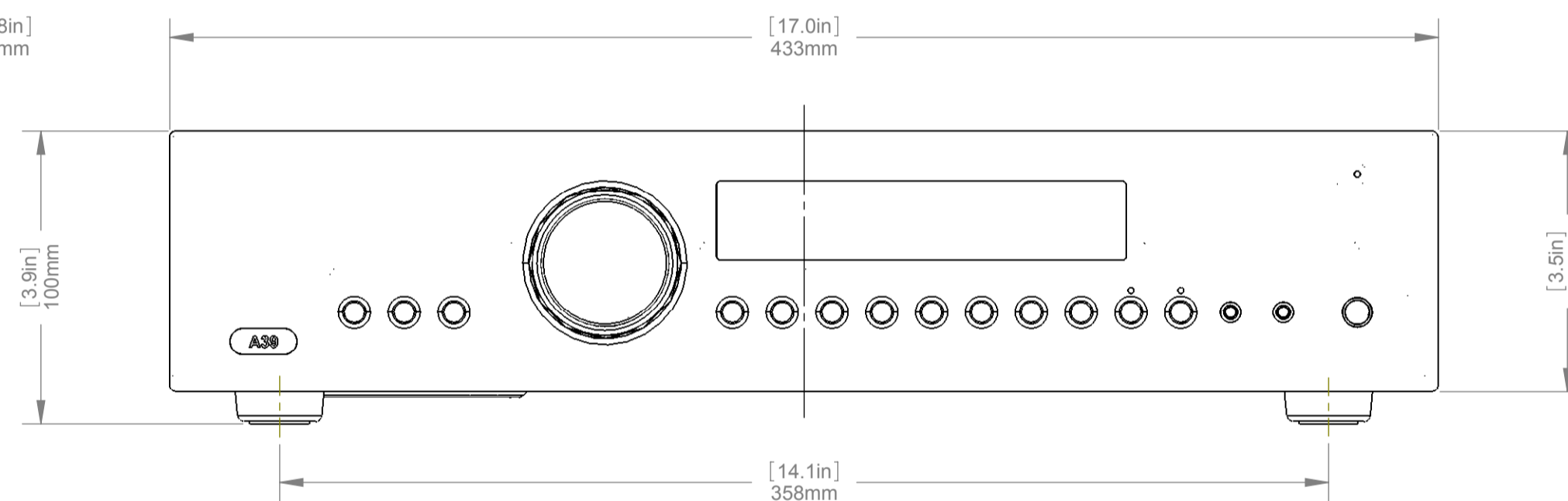
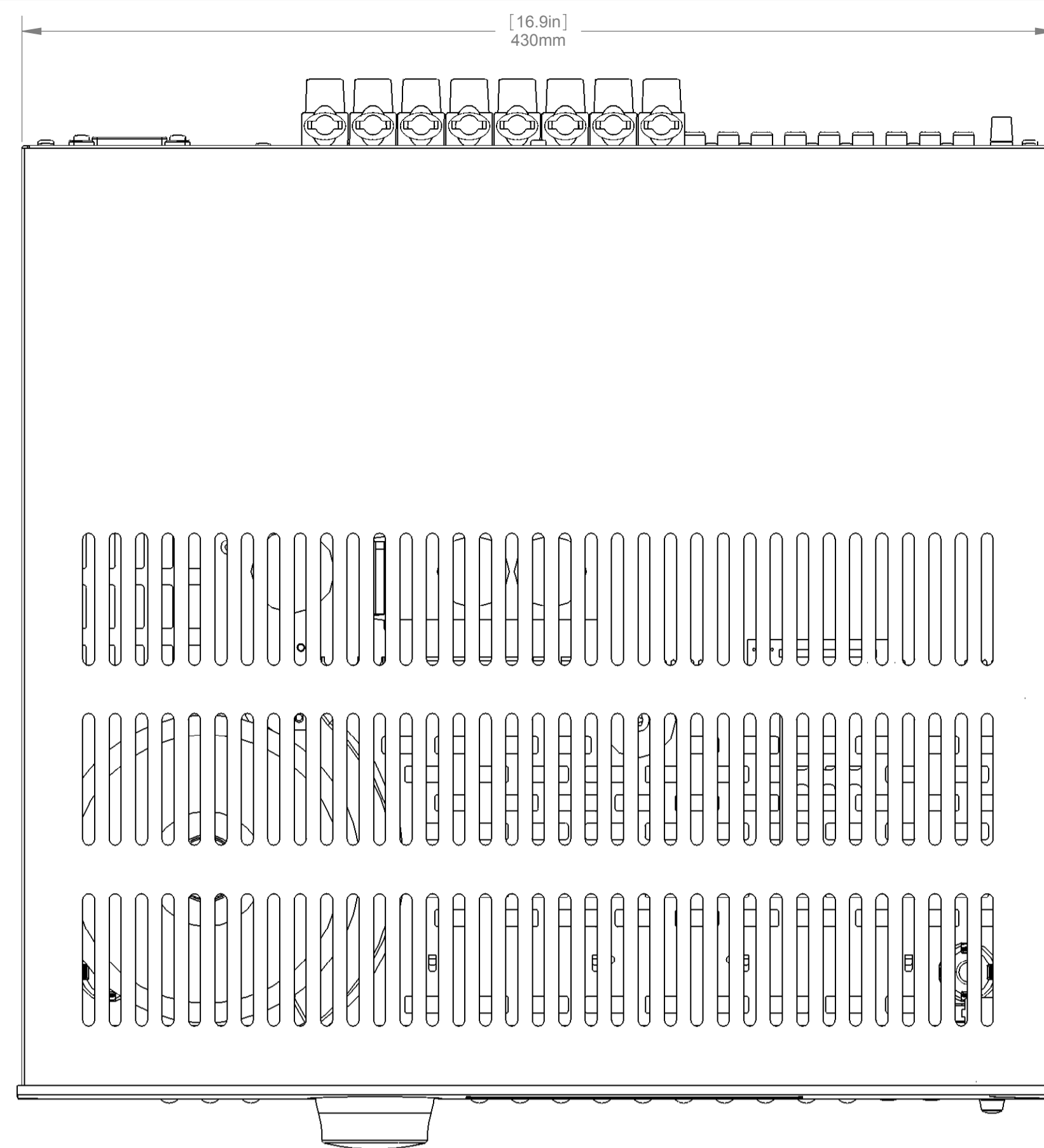
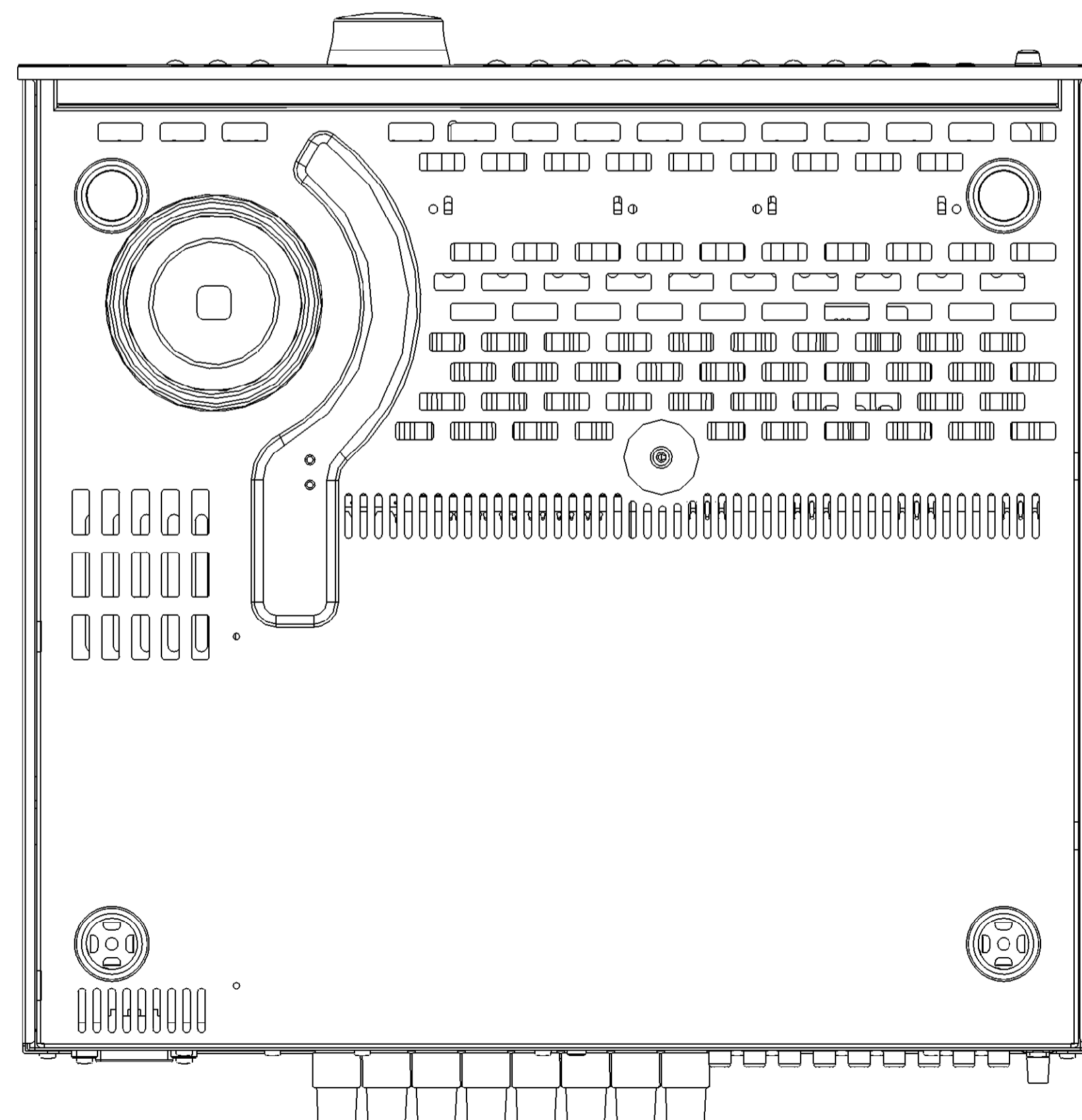


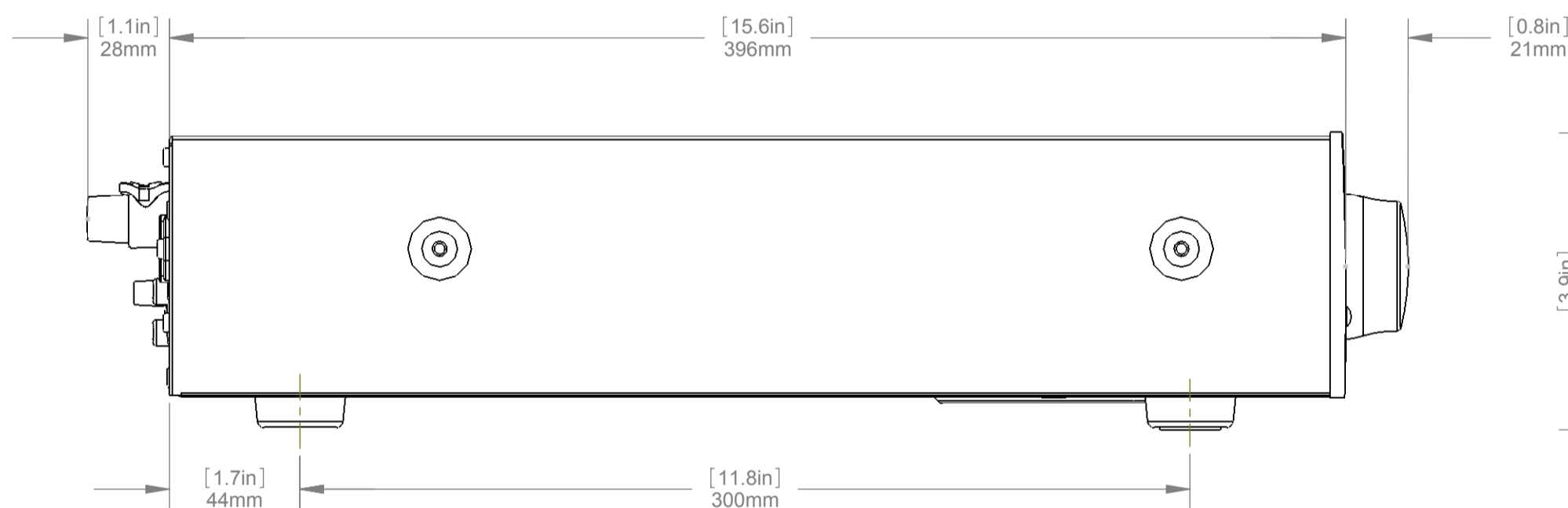
9	10						
ECO NR.	DATE	CHG.	ZONE	DESCRIPTION OF CHANGE	REL.	DR.	CHK.
--	--	--	--	--	--	--	--
--	--	--	--	--	--	--	--
--	--	--	--	--	--	--	--
--	--	--	--	--	--	--	--
--	--	--	--	--	--	--	--



REAR VIEW



NOTE:
ALLOW ADEQUATE CLEARANCE
AROUND THE PRODUCT FOR
VENTILATION & CONNECTION



ARCAM A & R CAMBRIDGE LTD	LINEAR TOLERANCE: ±0.2MM UNLESS OTHERWISE STATED	ALL DIMENSIONS IN MILLIMETERS UNLESS OTHERWISE STATED	DRAWN BY: MCM
	MATERIAL:		DATE: 9-7-2014
FINISH:		PART NUMBER AND DRAWING NUMBER	CHECKED BY: NC
DRAWING TITLE		A39 ASSEMBLY	ORIGINAL SCALE 1:2
A39 ASSEMBLY		SHT. 1 OF 1	A1

