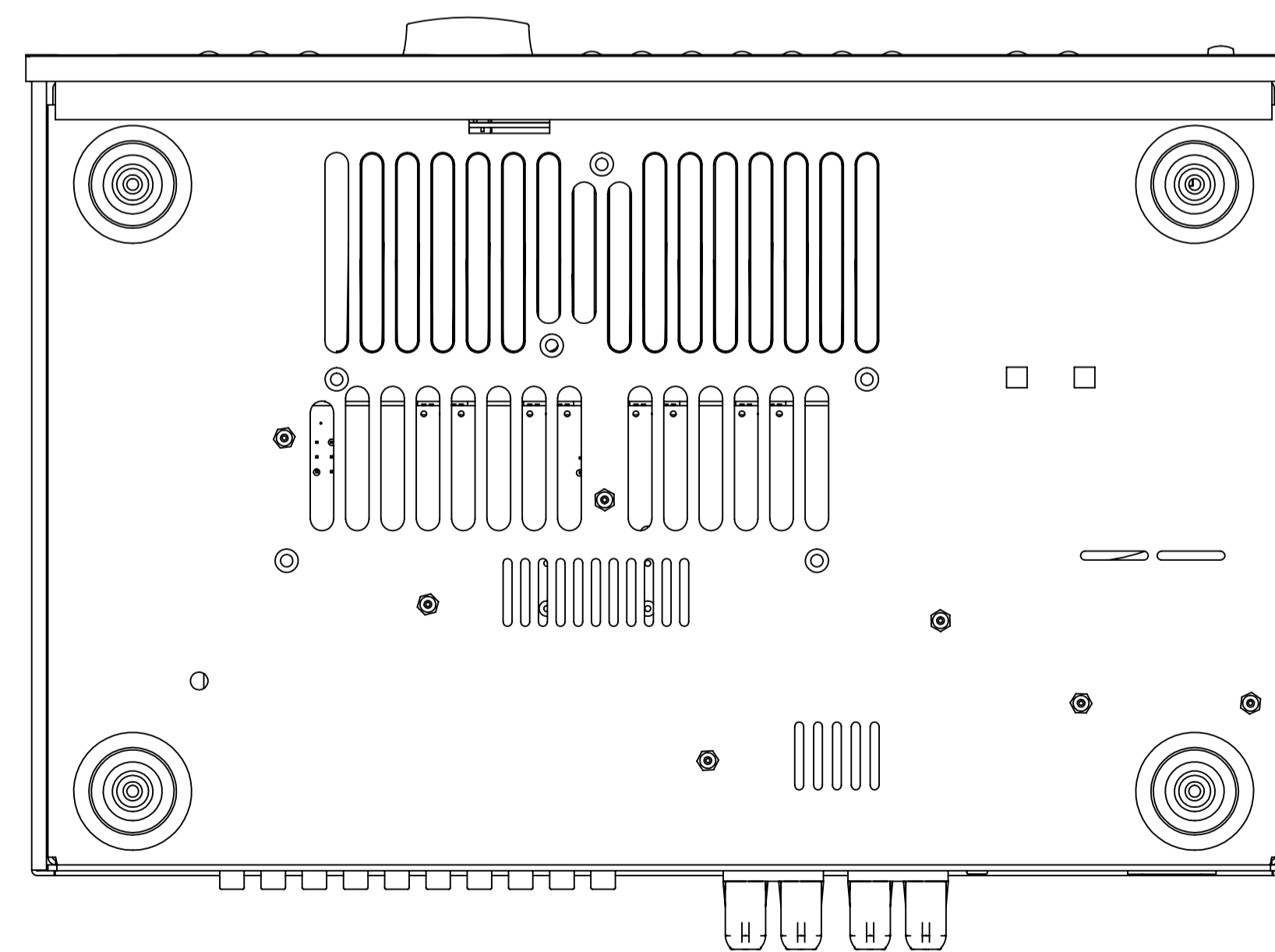
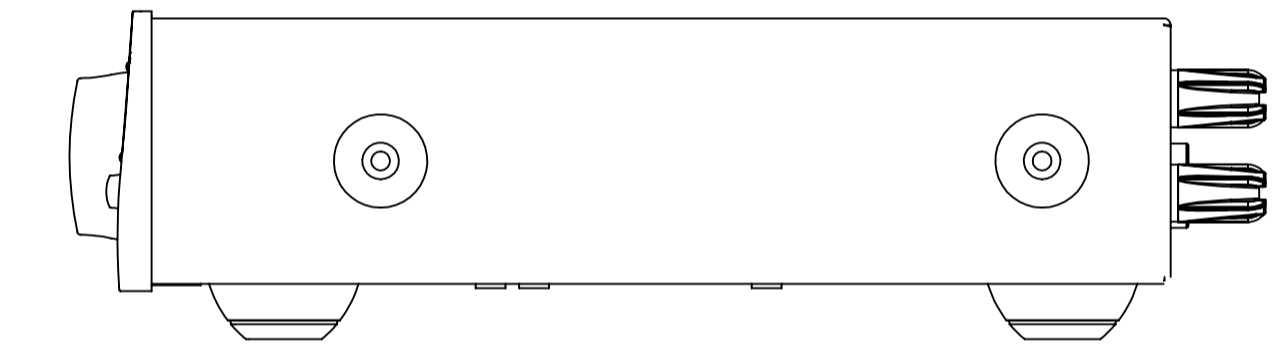
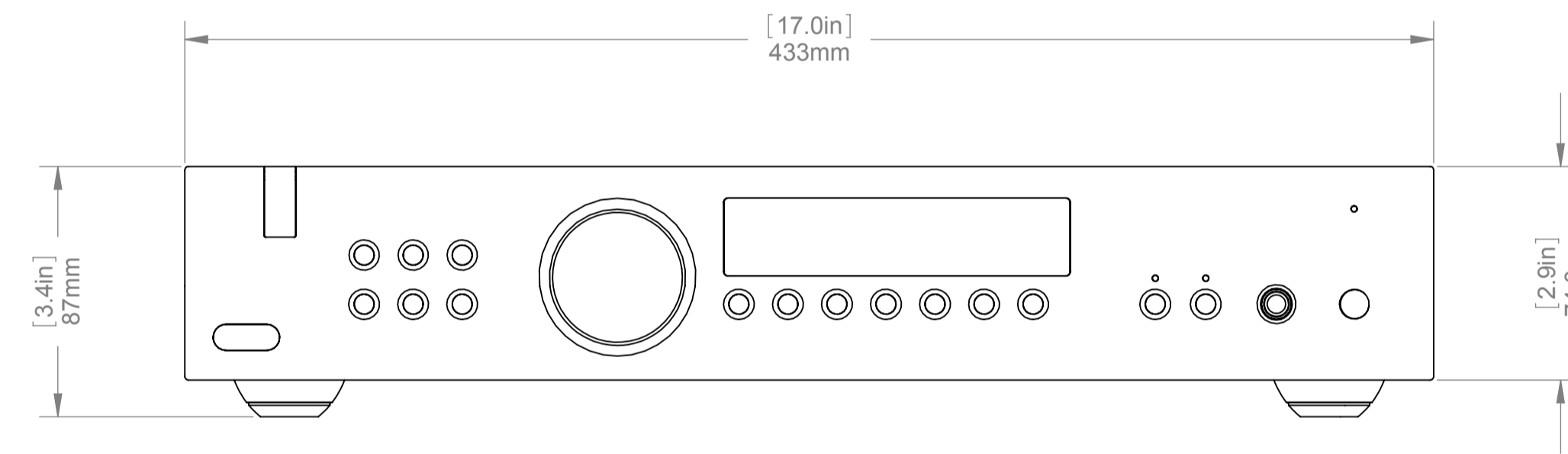
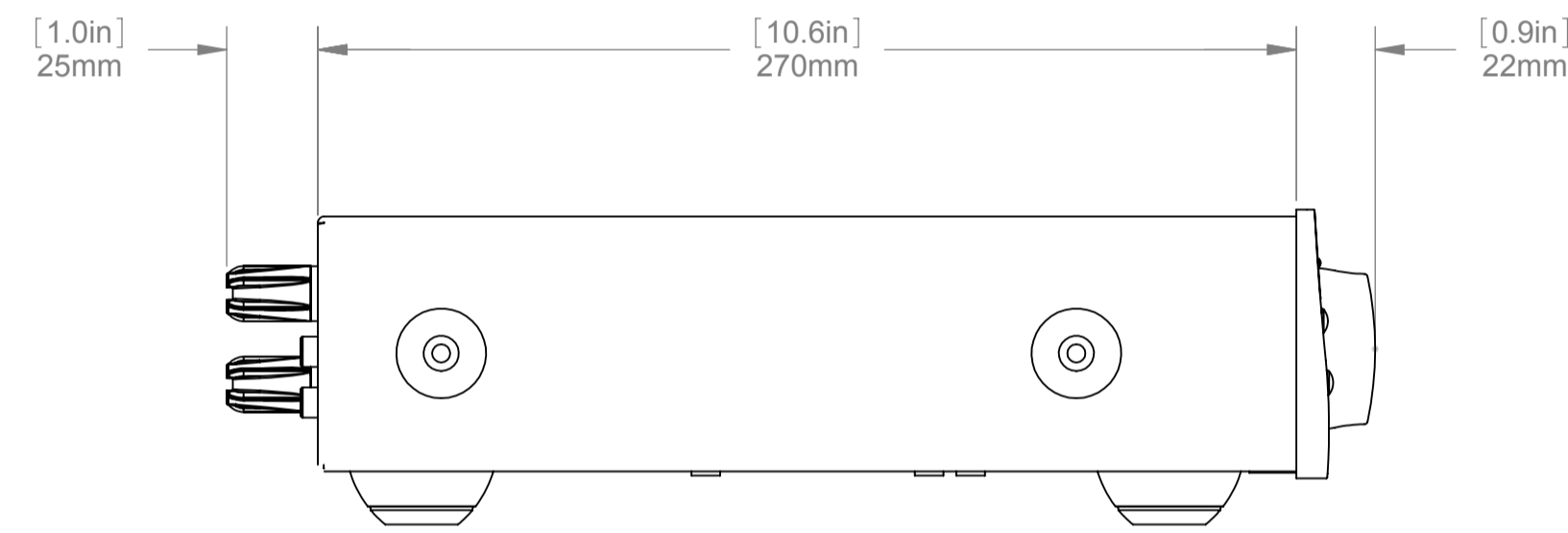
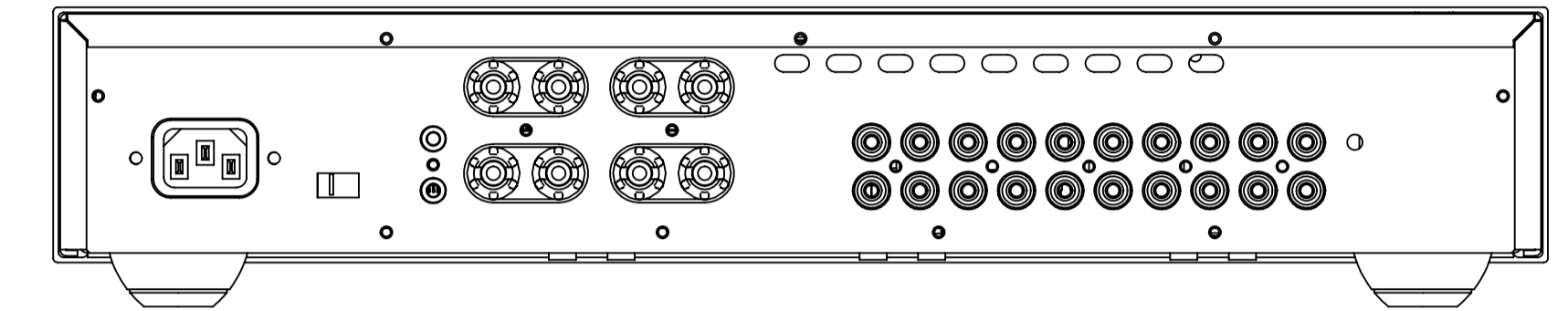
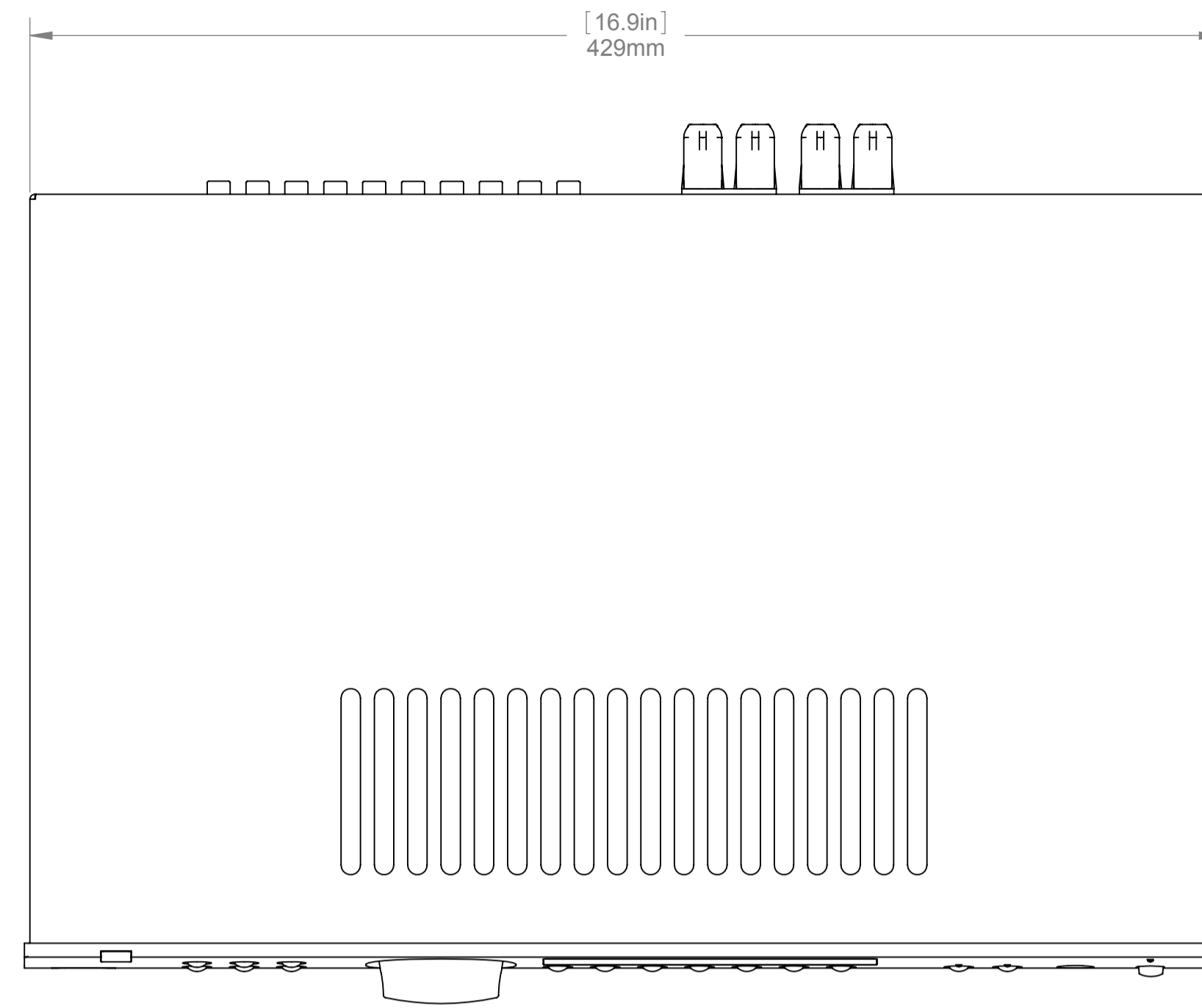


9				10		
ECO NR.	DATE	CHG.	ZONE	DESCRIPTION OF CHANGE	REL.	CHK.
--	--	--	--	--	--	--
--	--	--	--	--	--	--
--	--	--	--	--	--	--
--	--	--	--	--	--	--



NOTE:

ALLOW ADEQUATE CLEARANCE
AROUND THE PRODUCT FOR
VENTILATION & CONNECTION

ARCAM A & R CAMBRIDGE LTD LINEAR TOLERANCE +0.2MM UNLESS OTHERWISE STATED ANGULAR TOLERANCE +1° UNLESS OTHERWISE STATED	ALL DIMENSIONS IN MILLIMETERS UNLESS OTHERWISE STATED	DRAWN BY:	
		DATE:	13-5-2008
MATERIAL:		CHECKED BY:	--
FINISH:		ORIGINAL SCALE 1:2	
PART NUMBER AND DRAWING NUMBER A28		SHT 1 OF 1	
DRAWING TITLE A28 ASSEMBLY		A1	

