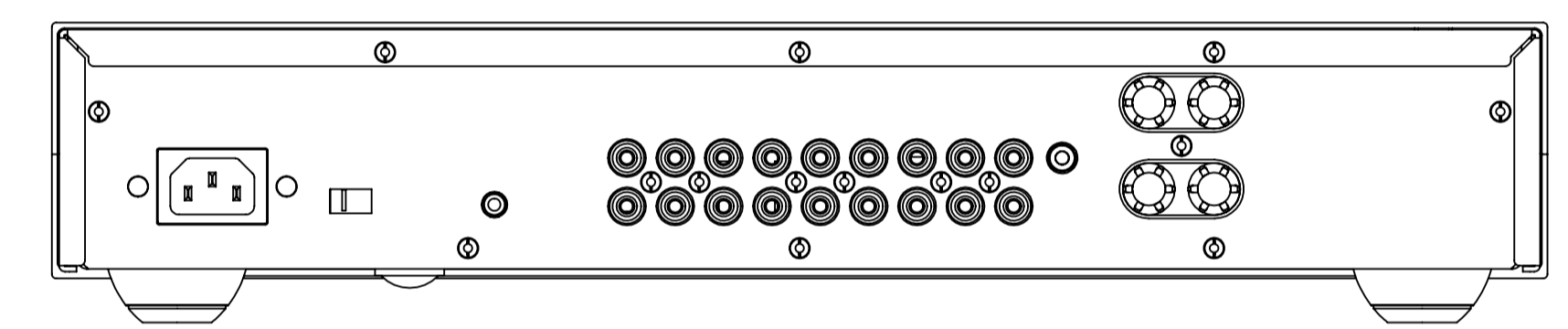
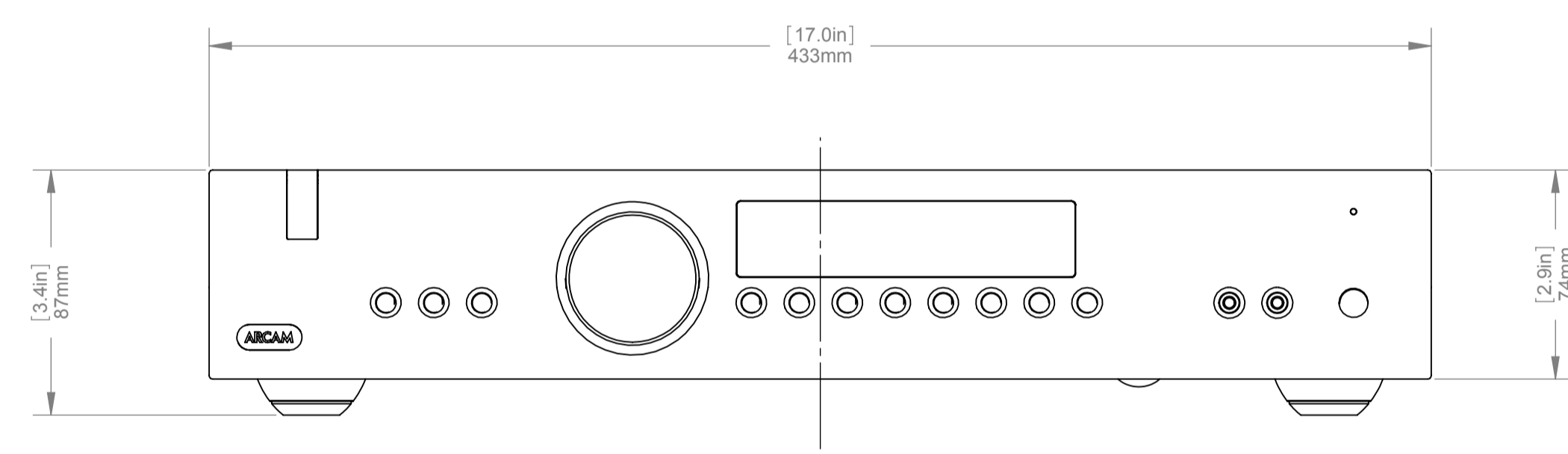
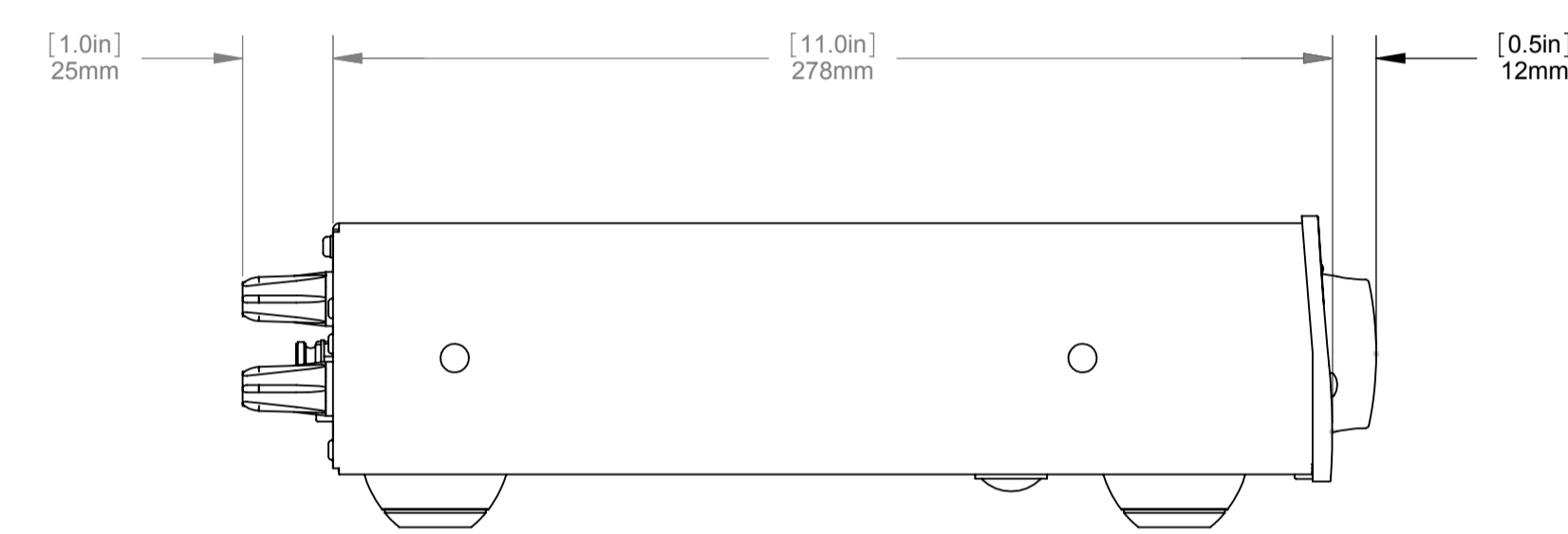
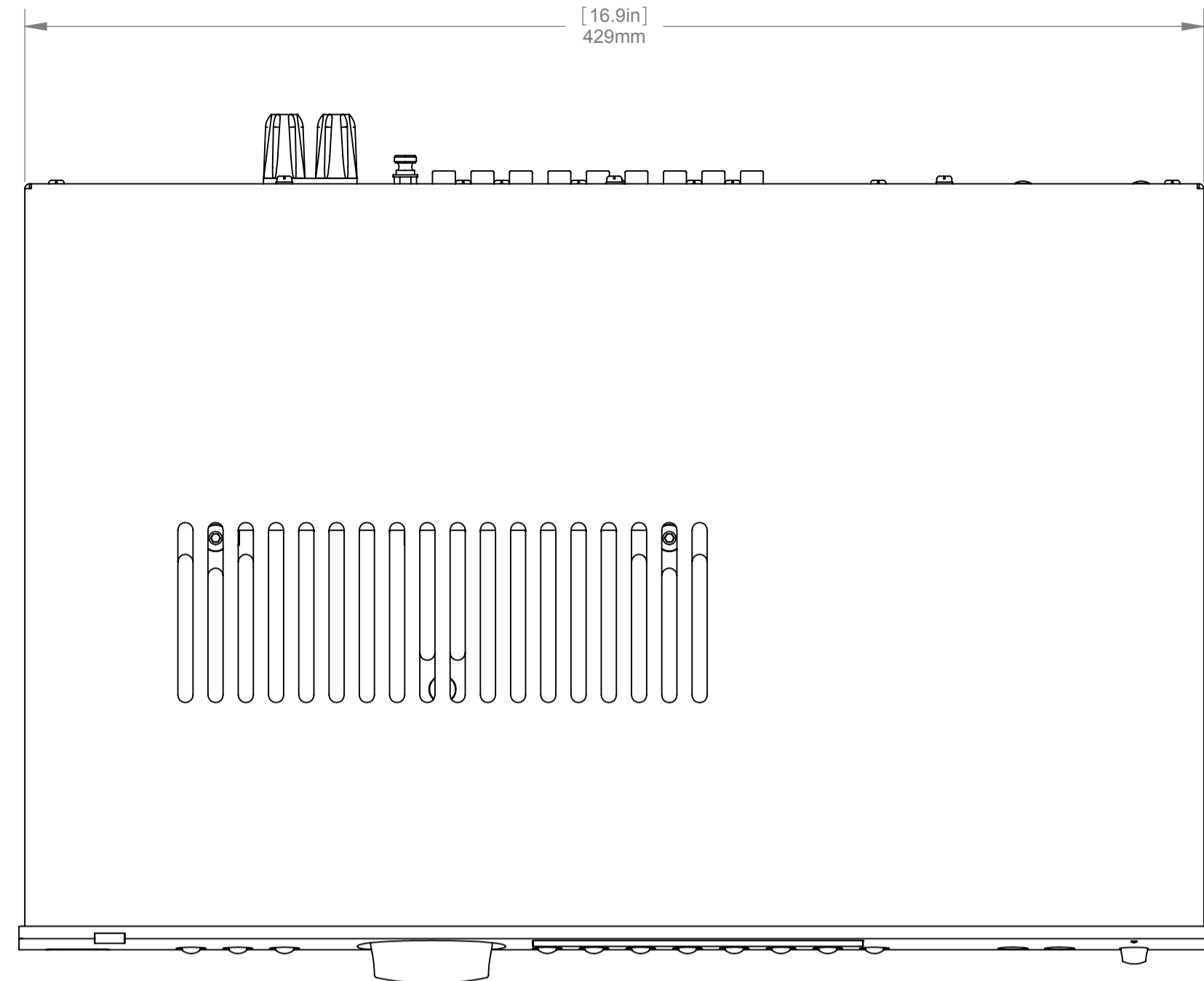
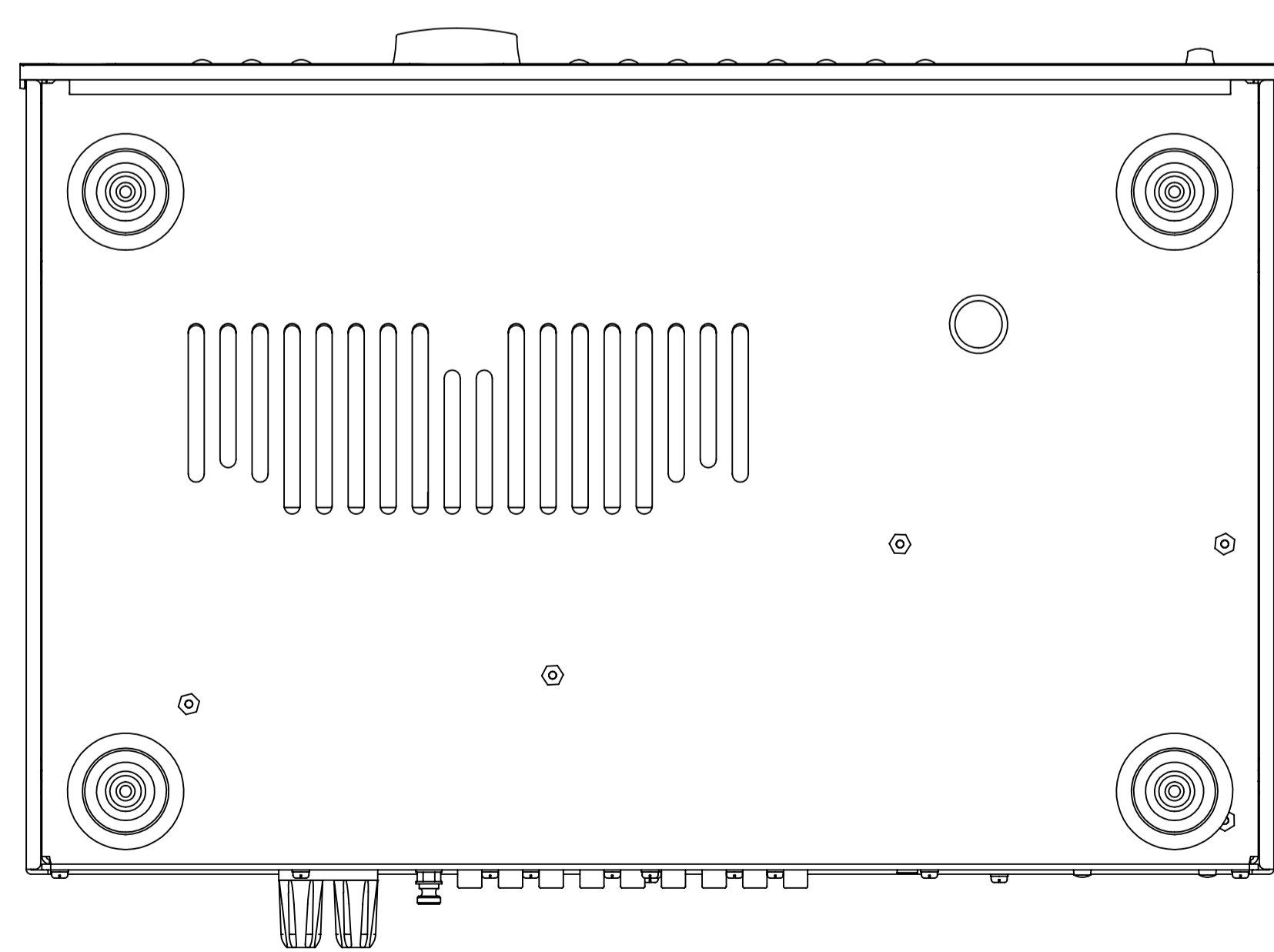


ECO NR.	DATE	CHG.	ZONE	DESCRIPTION OF CHANGE	REL.	DR.	CHK.
--	--	--	--	--	--	--	--
--	--	--	--	--	--	--	--
--	--	--	--	--	--	--	--
--	--	--	--	--	--	--	--
--	--	--	--	--	--	--	--



REAR VIEW



NOTE:
ALLOW ADEQUATE CLEARANCE
AROUND THE PRODUCT FOR
VENTILATION & CONNECTION

ARCAM A & R CAMBRIDGE LTD LINEAR TOLERANCE: ±0.2MM UNLESS OTHERWISE STATED ANGULAR TOLERANCE: ±1° UNLESS OTHERWISE STATED	ALL DIMENSIONS IN MILLIMETERS UNLESS OTHERWISE STATED	DRAWN BY:	MCM
		DATE:	16-11-2012
MATERIAL:		CHECKED BY:	NC
FINISH:		ORIGINAL SCALE:	1:2.5
PART NUMBER AND DRAWING NUMBER		SHT. 1 OF 1	
DRAWING TITLE		A1	
A19 ASSEMBLY			

