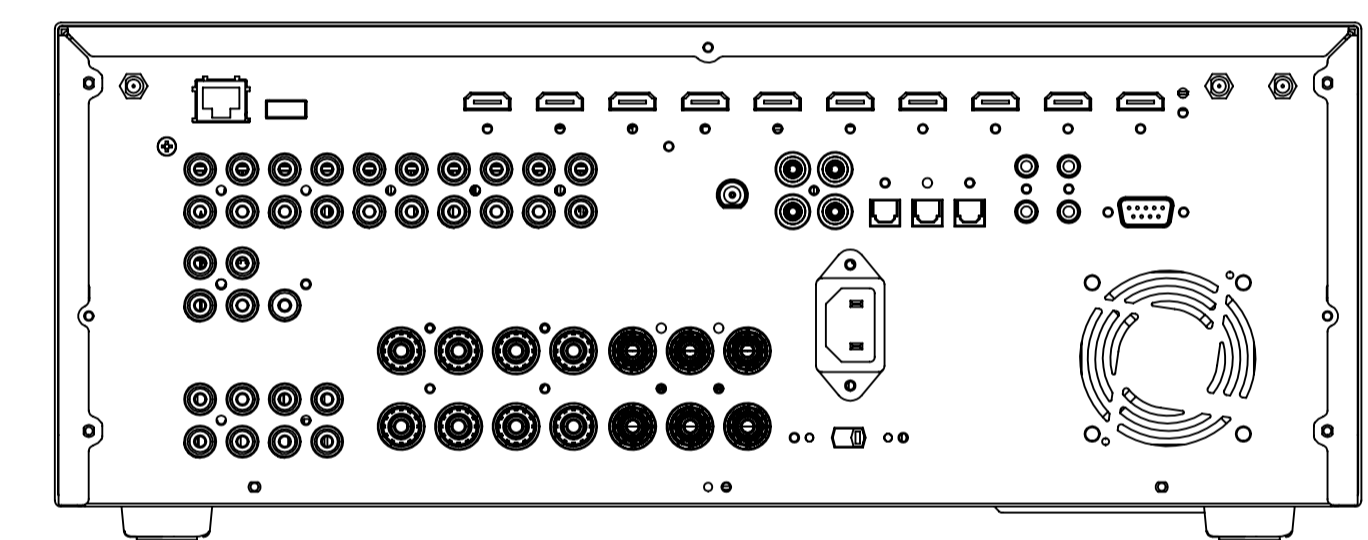
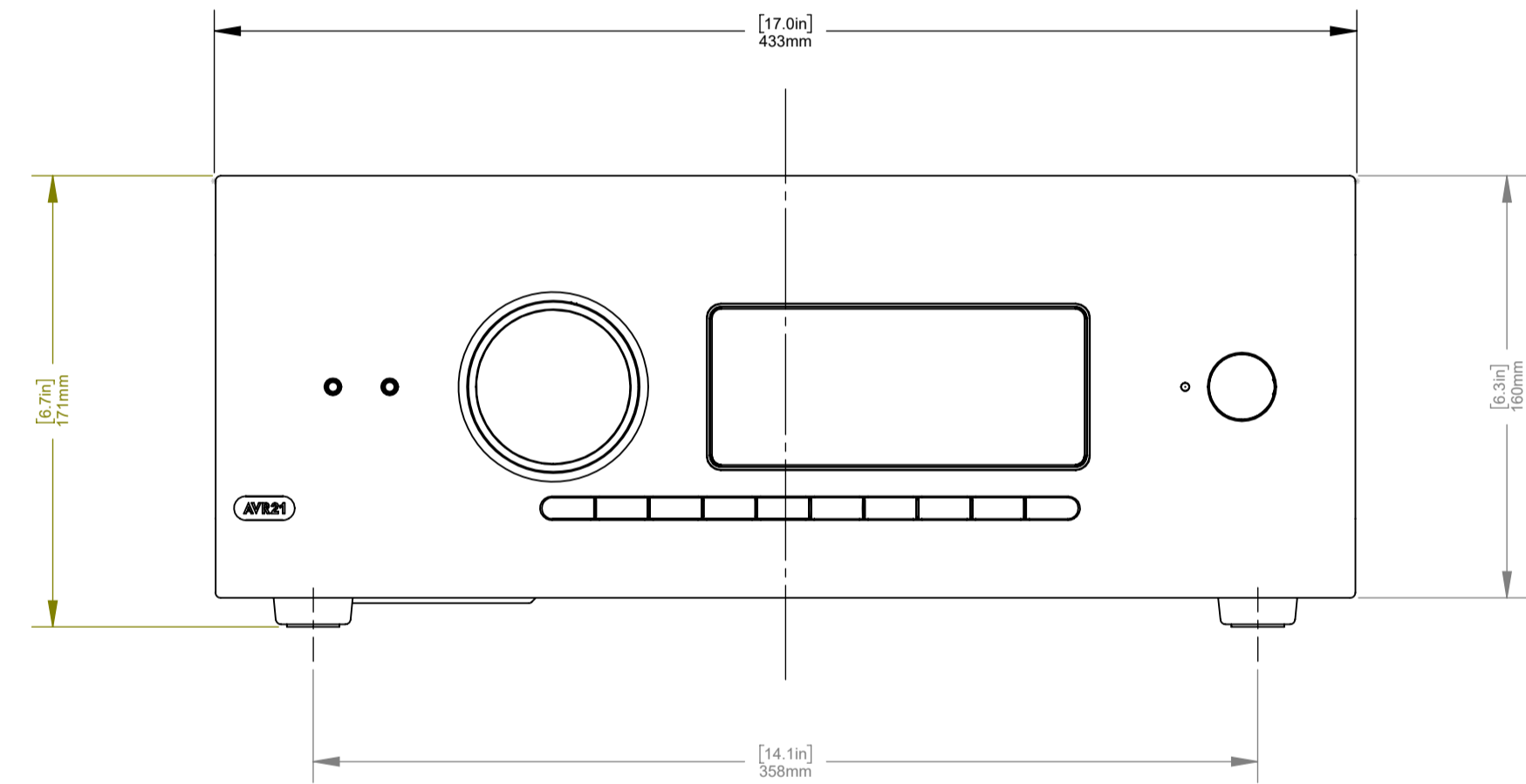
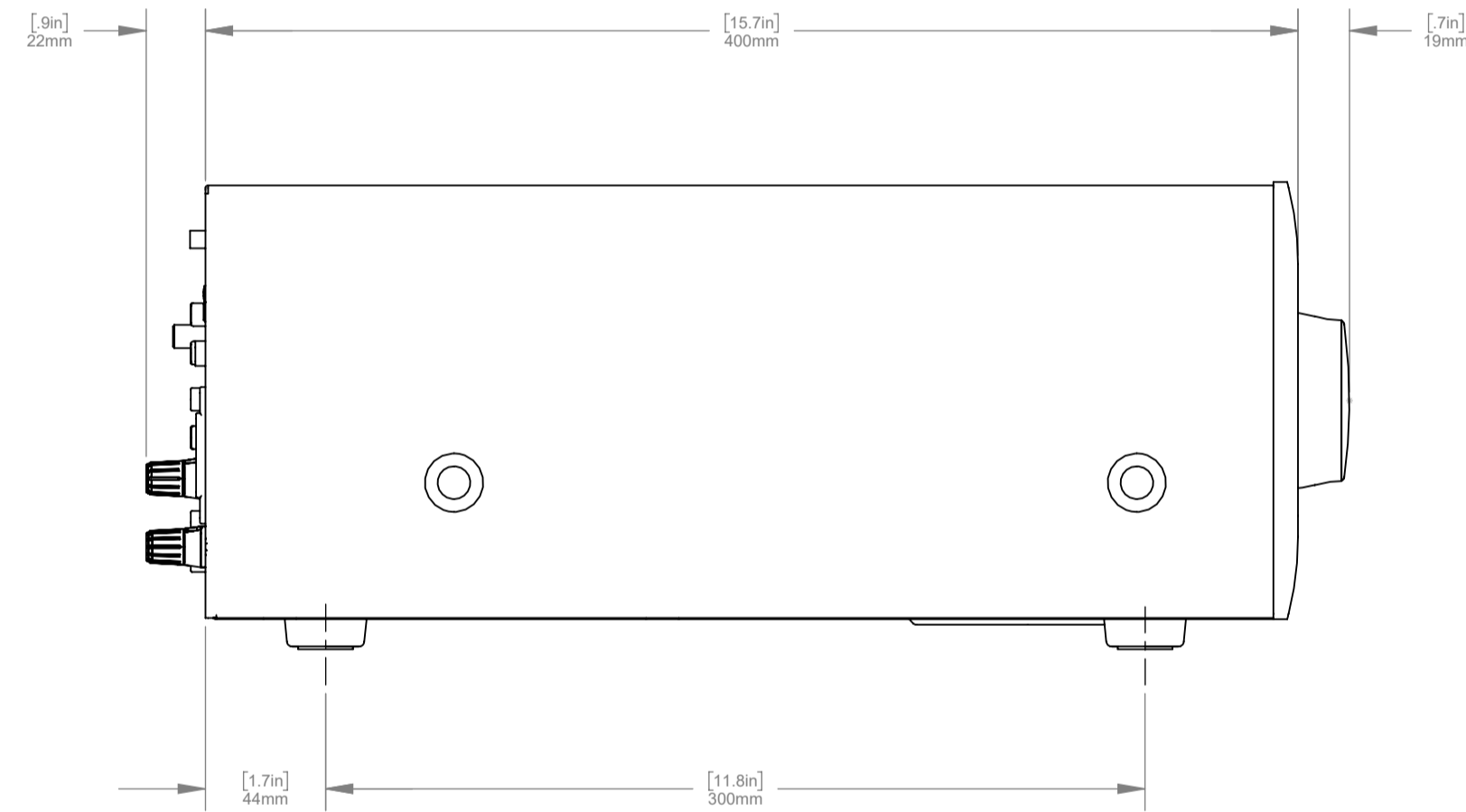
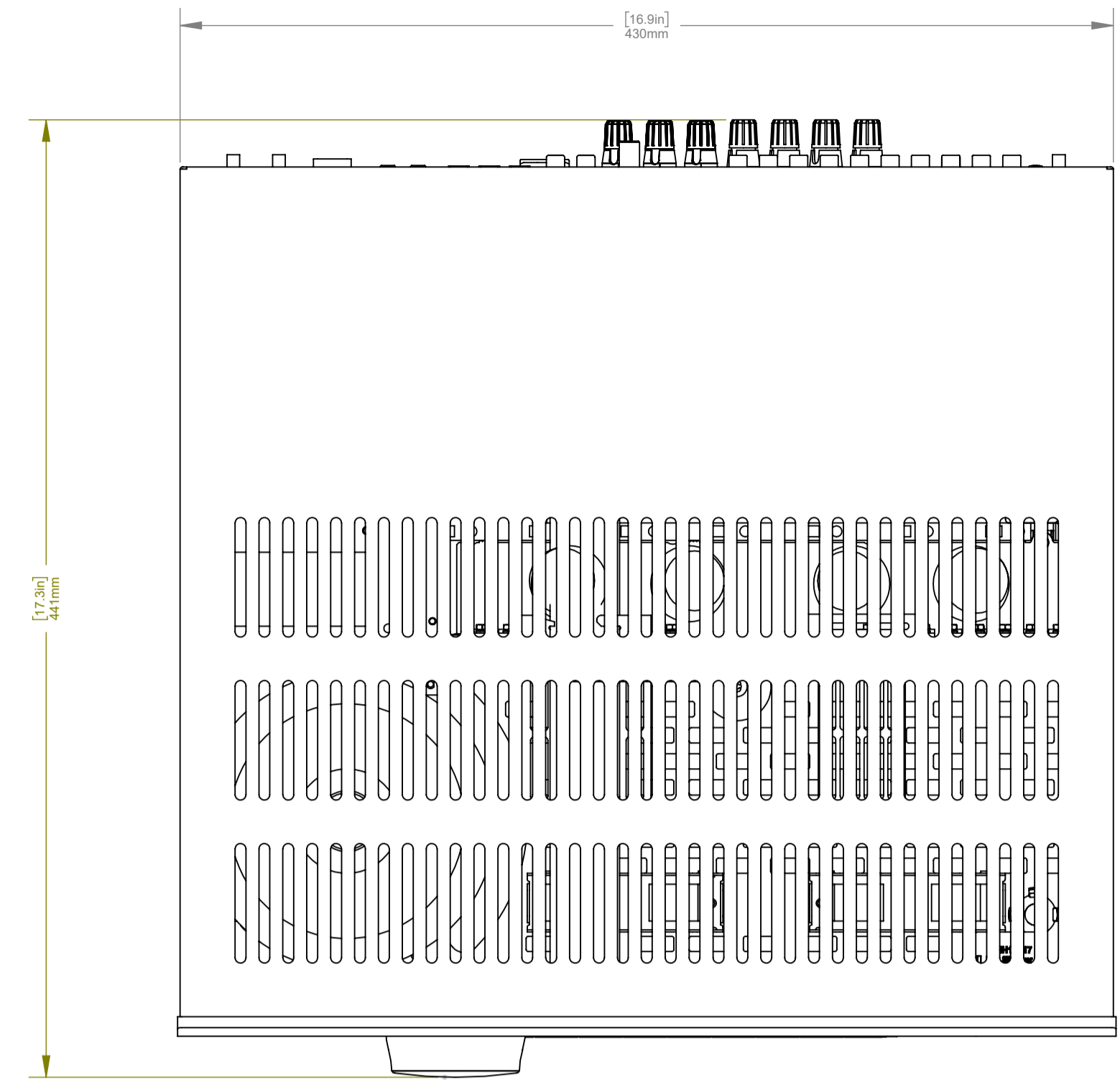
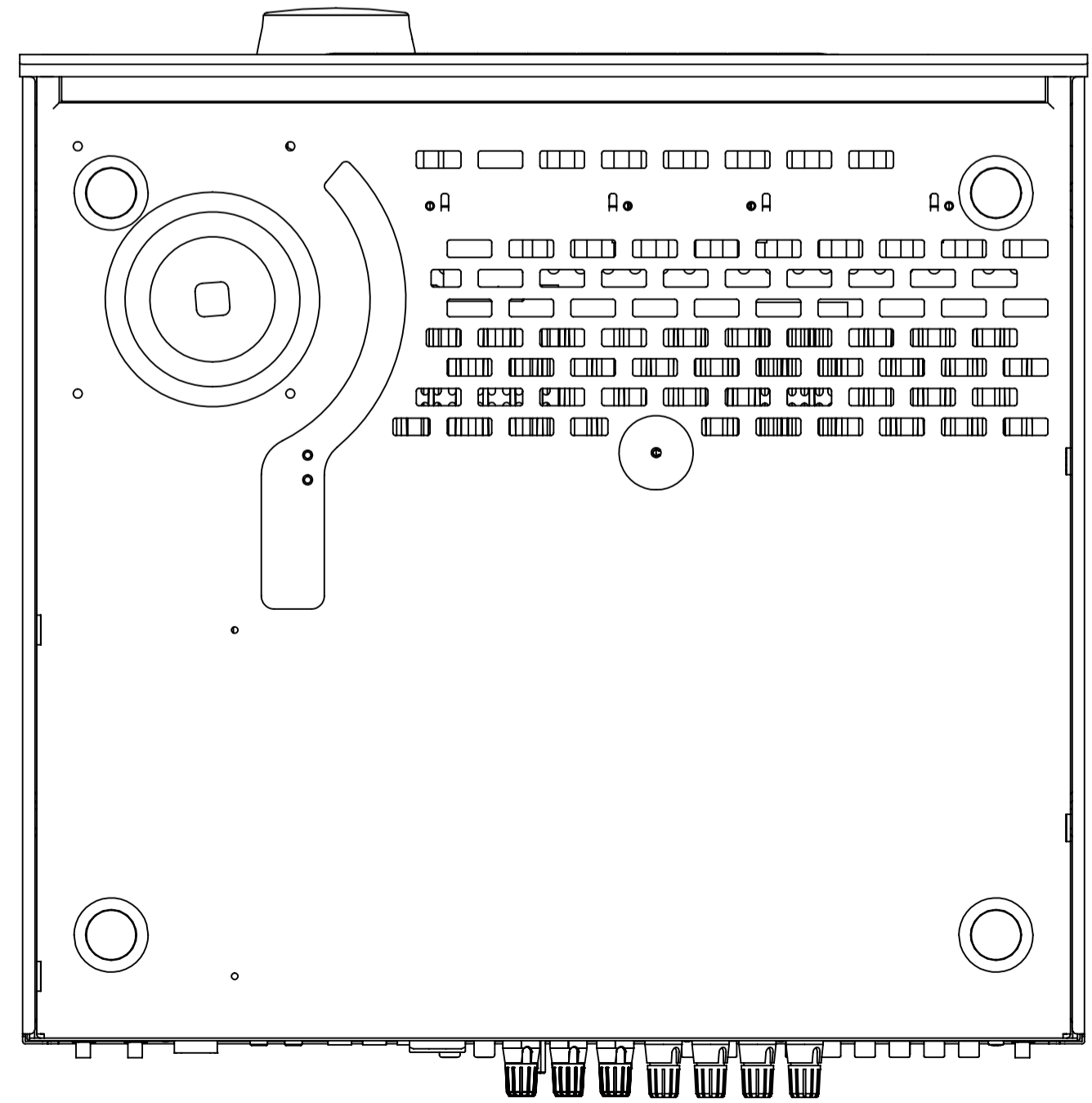


9	10						
ECO NR.	DATE	CHG.	ZONE	DESCRIPTION OF CHANGE	REL.	DR.	CHK.
--	8-12-2021	--	--	FIRST ISSUE	--	MCM	NC
--	--	--	--	--	--	--	--
--	--	--	--	--	--	--	--
--	--	--	--	--	--	--	--
--	--	--	--	--	--	--	--



REAR VIEW



**NOTE:**  
ALLOW ADEQUATE CLEARANCE  
AROUND THE PRODUCT FOR  
VENTILATION & CONNECTION

<b>ARCAM</b> A & R CAMBRIDGE LTD LINEAR TOLERANCE +0.2MM UNLESS OTHERWISE STATED ANGULAR TOLERANCE +1° UNLESS OTHERWISE STATED	ALL DIMENSIONS IN MILLIMETERS UNLESS OTHERWISE STATED	DRAWN BY: MCM	DATE: 8-12-2021
	MATERIAL:	CHECKED BY: NC	ORIGINAL SCALE 1:2.5
FINISH:		DRAWING TITLE	
PART NUMBER AND DRAWING NUMBER AVR21		A1	
DRAWING TITLE AVR21 ASSEMBLY			

