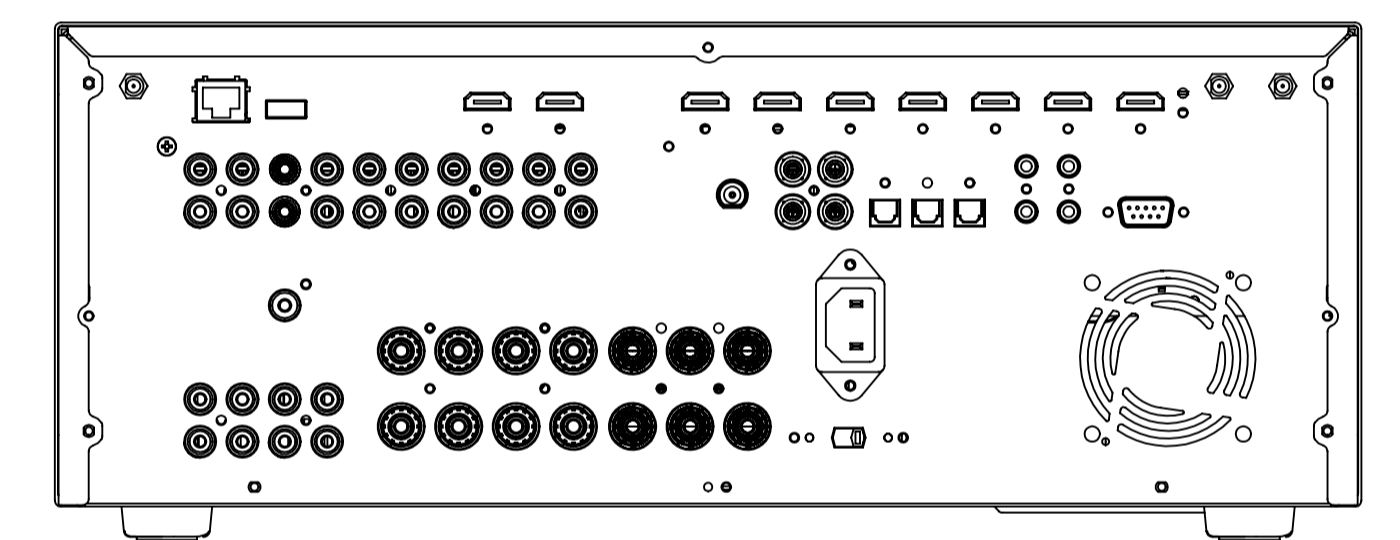
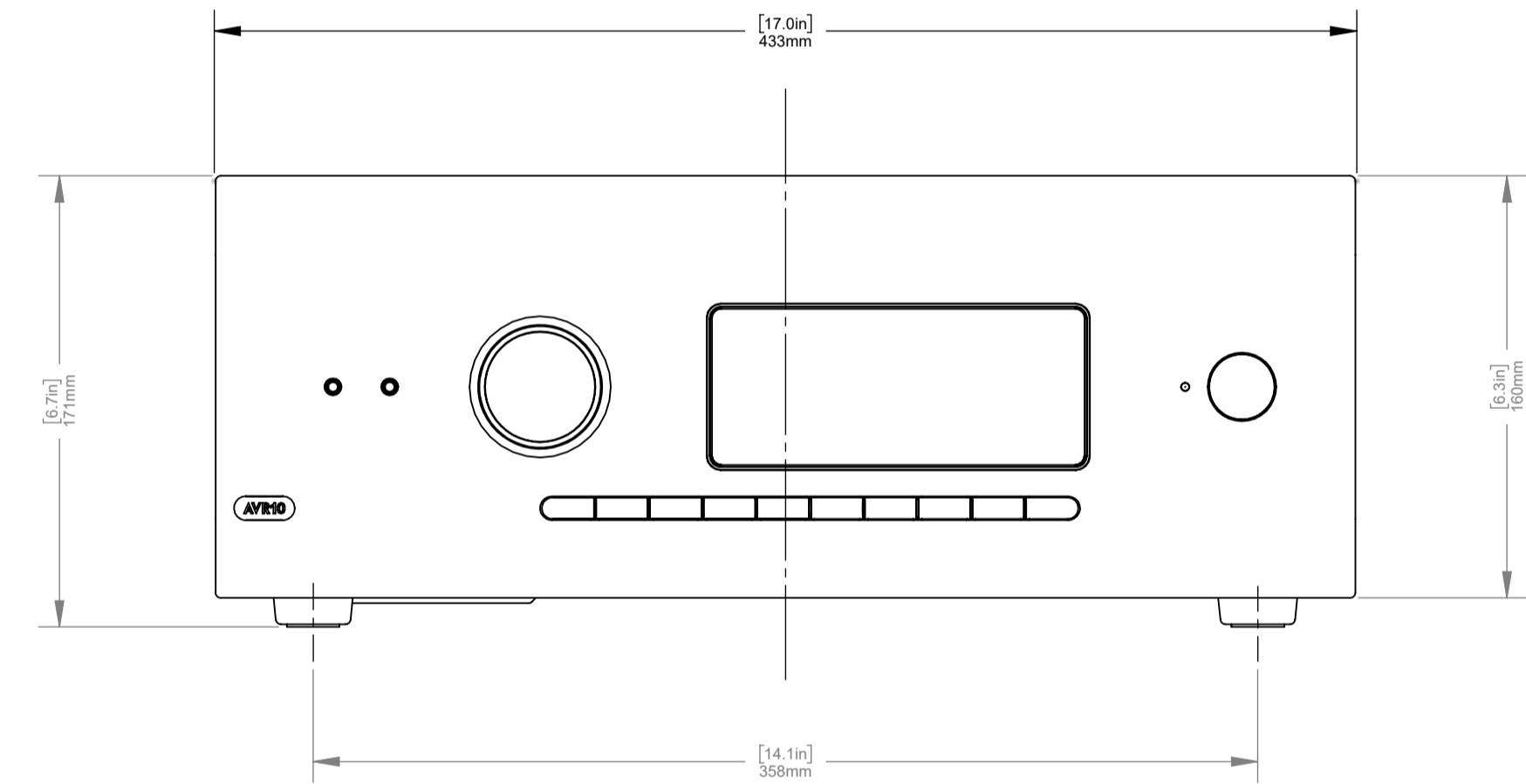
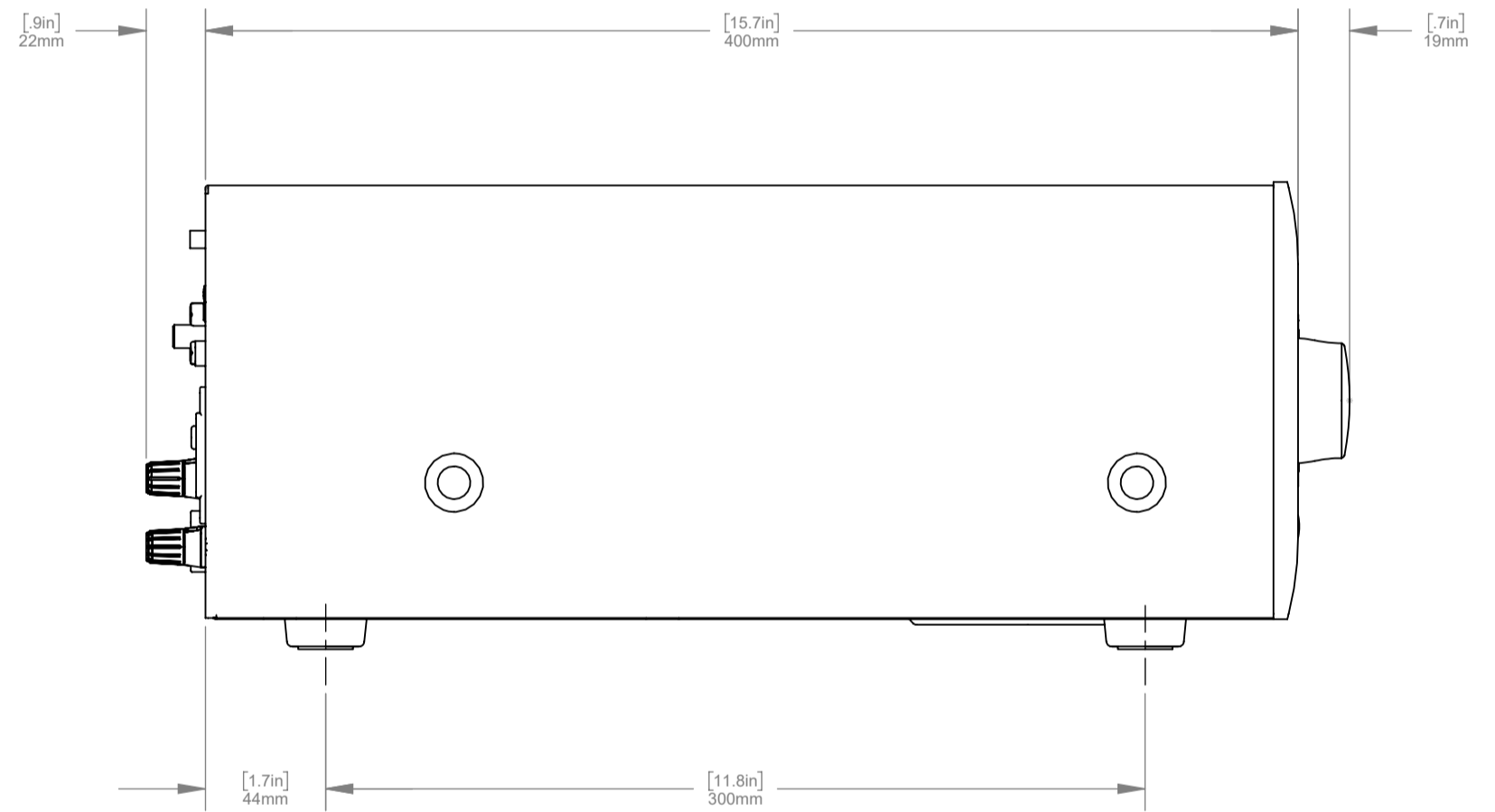
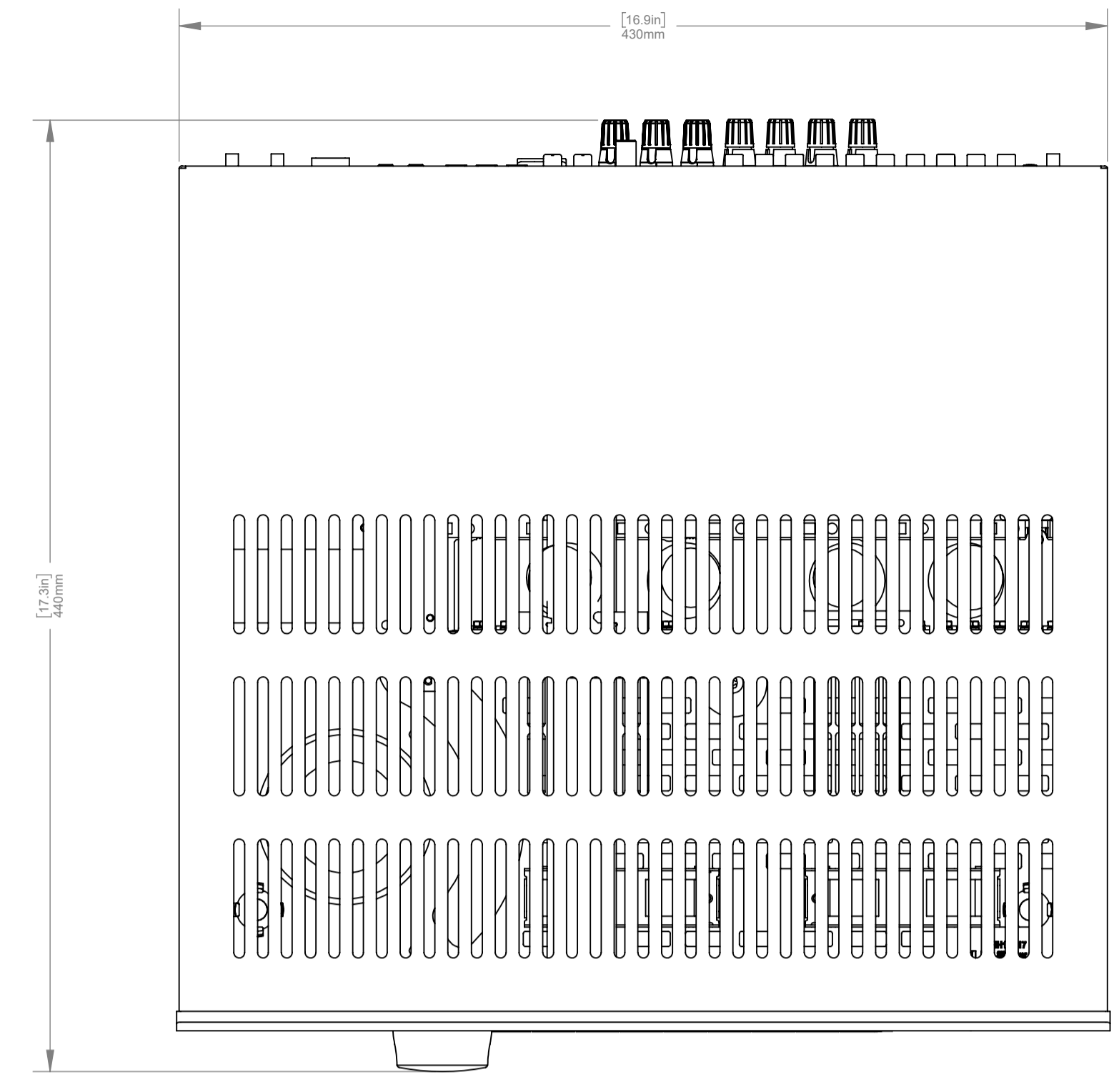
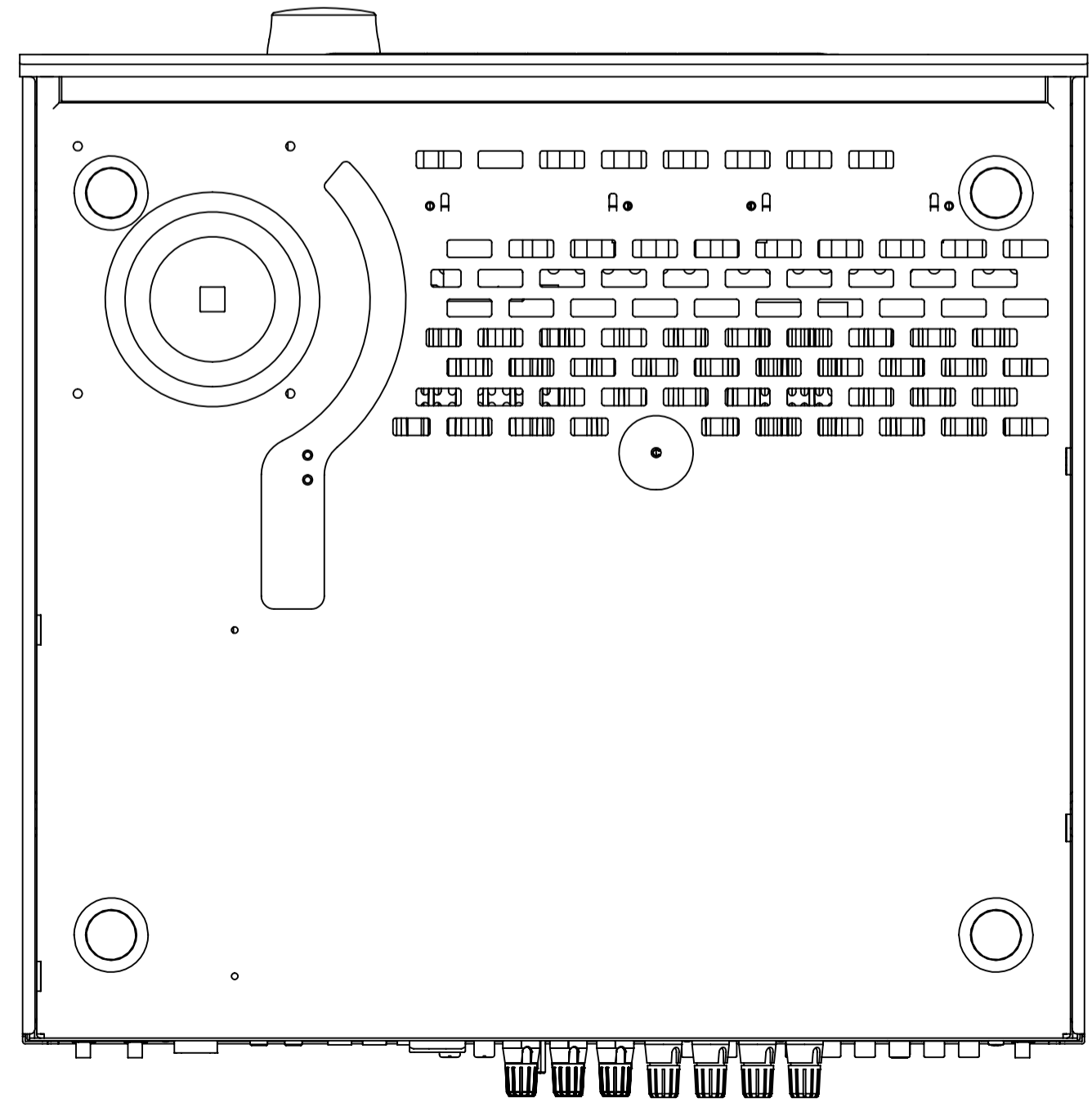


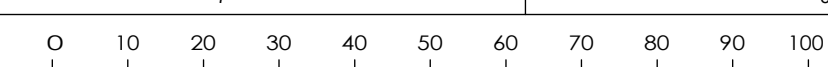
9	10						
ECO NR.	DATE	CHG.	ZONE	DESCRIPTION OF CHANGE	REL.	DR.	CHK.
FIRST ISSUE	28-11-2019	--	--	--	--	MCM	NC
--	--	--	--	--	--	--	--
--	--	--	--	--	--	--	--
--	--	--	--	--	--	--	--
--	--	--	--	--	--	--	--



REAR VIEW



NOTE:
ALLOW ADEQUATE CLEARANCE
AROUND THE PRODUCT FOR
VENTILATION & CONNECTION



ARCAM A & R CAMBRIDGE LTD LINEAR TOLERANCE +0.2MM UNLESS OTHERWISE STATED ANGULAR TOLERANCE +1° UNLESS OTHERWISE STATED	ALL DIMENSIONS IN MILLIMETERS UNLESS OTHERWISE STATED	DRAWN BY:	MCM
		DATE:	28-11-2019
MATERIAL:		CHECKED BY:	NC
PART NUMBER AND DRAWING NUMBER		ORIGINAL SCALE 1:2.5	
DRAWING TITLE		A1	
AVR10 ASSEMBLY			