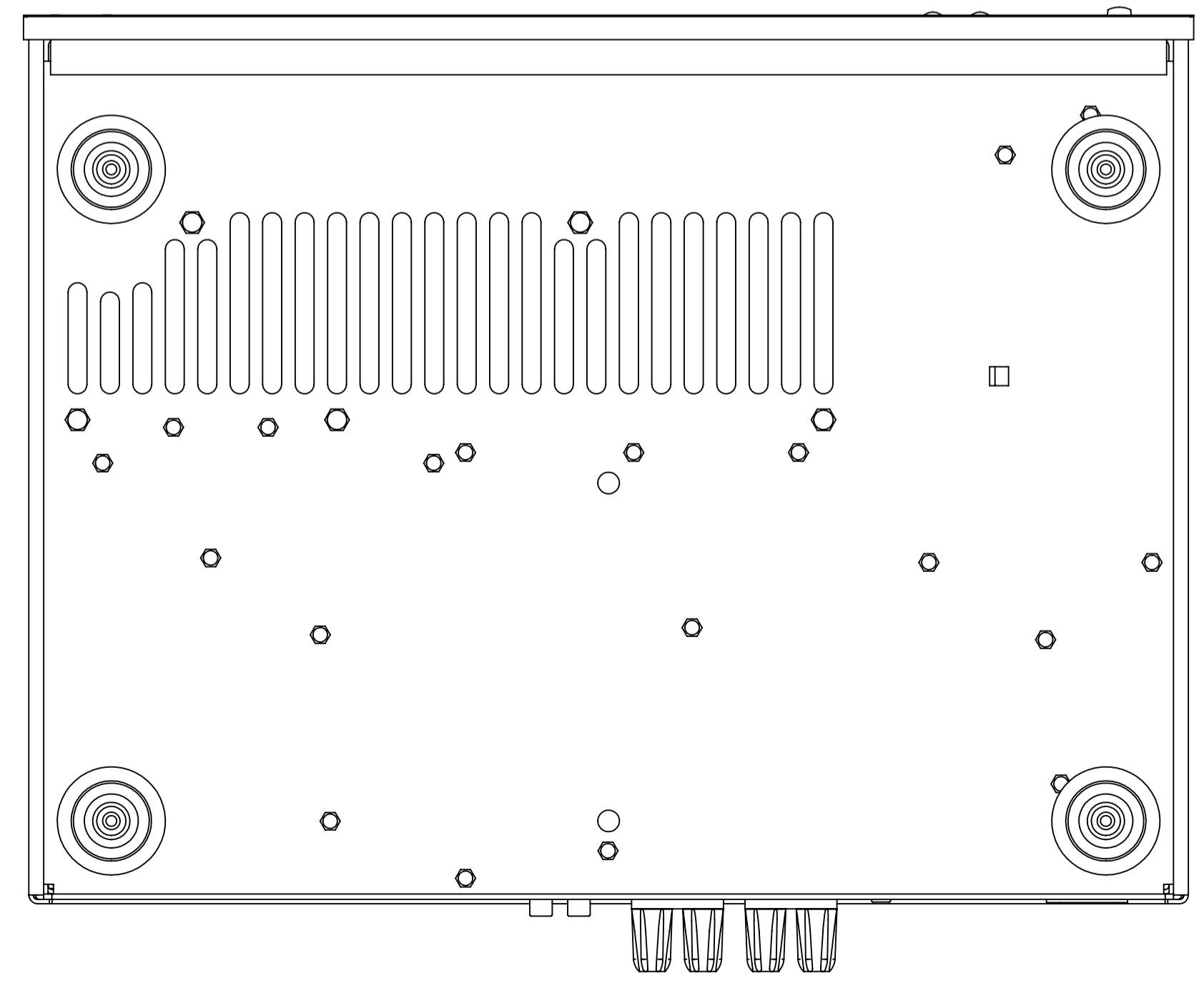
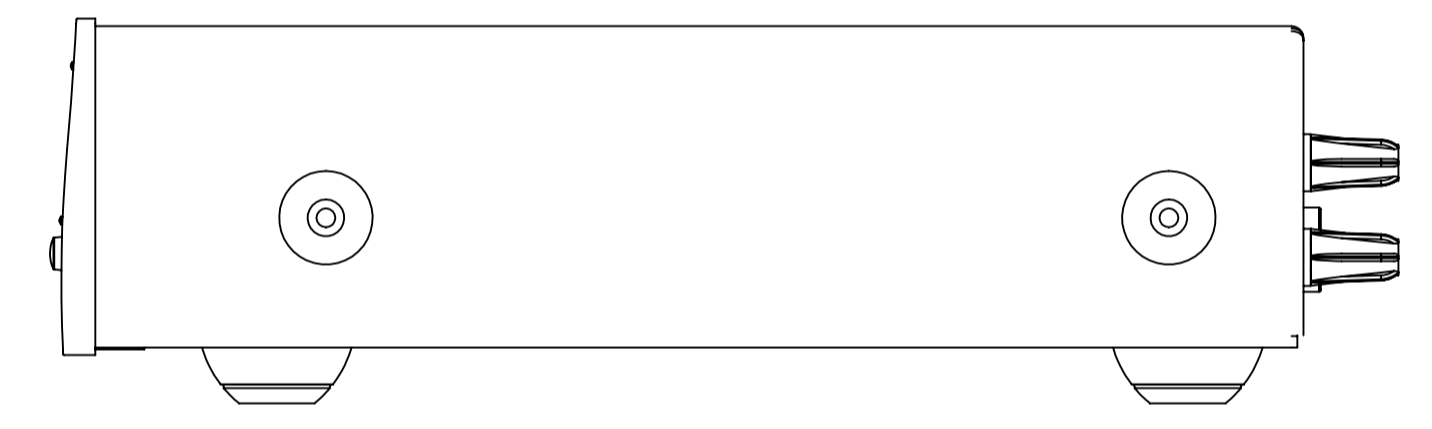
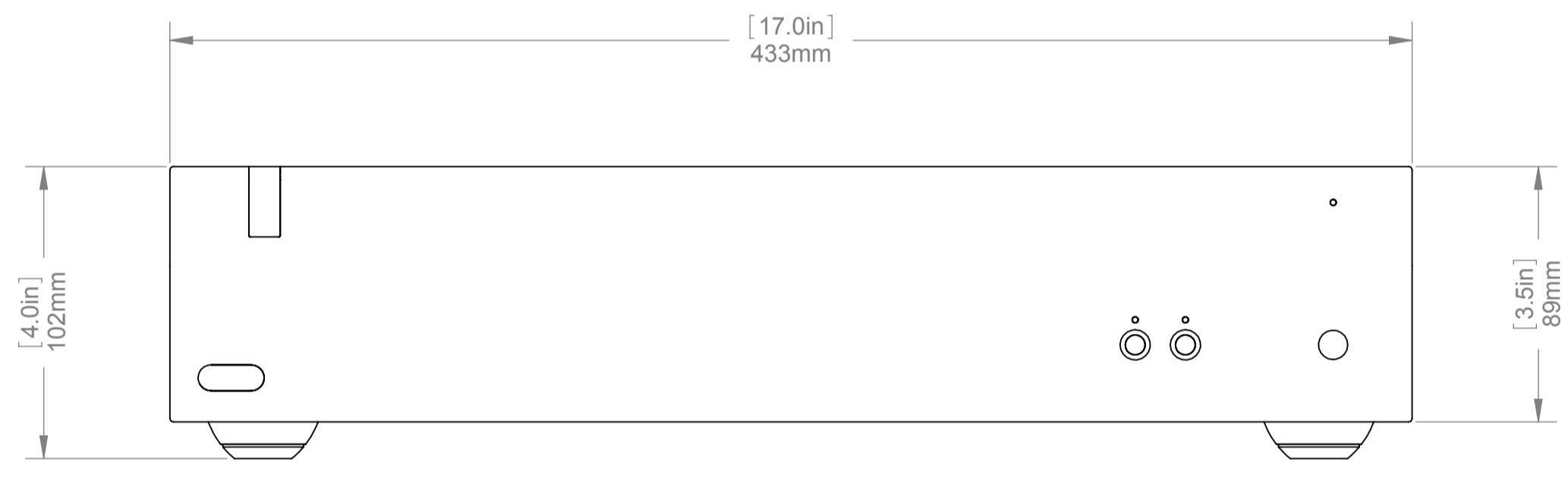
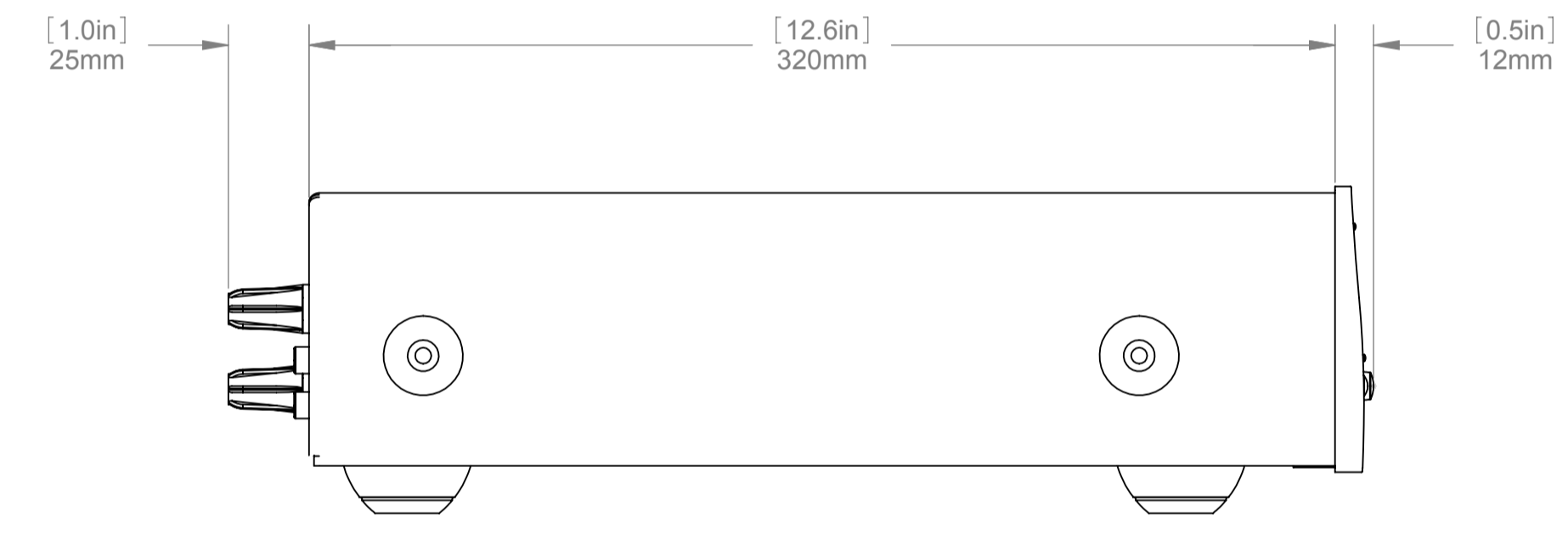
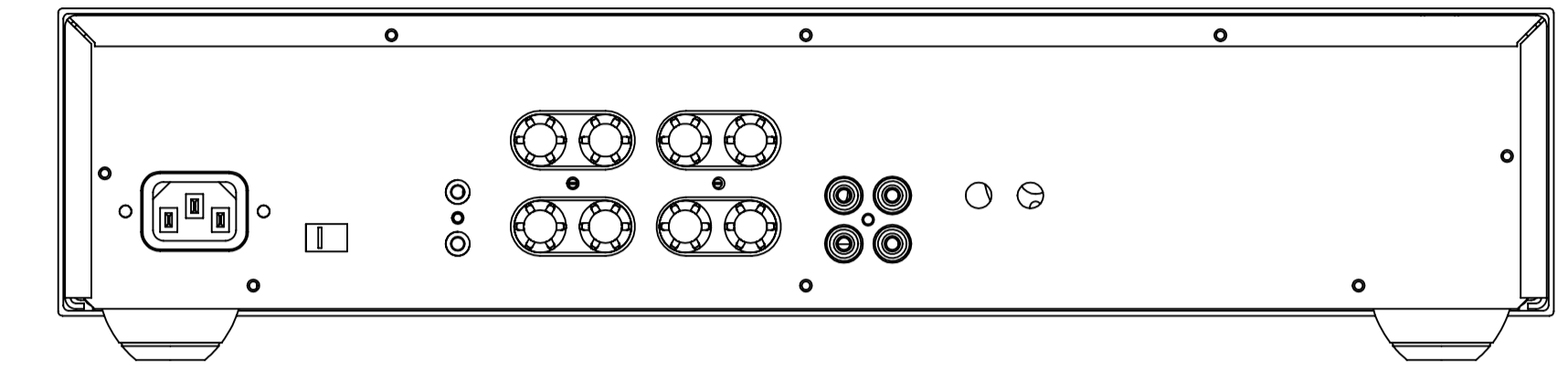
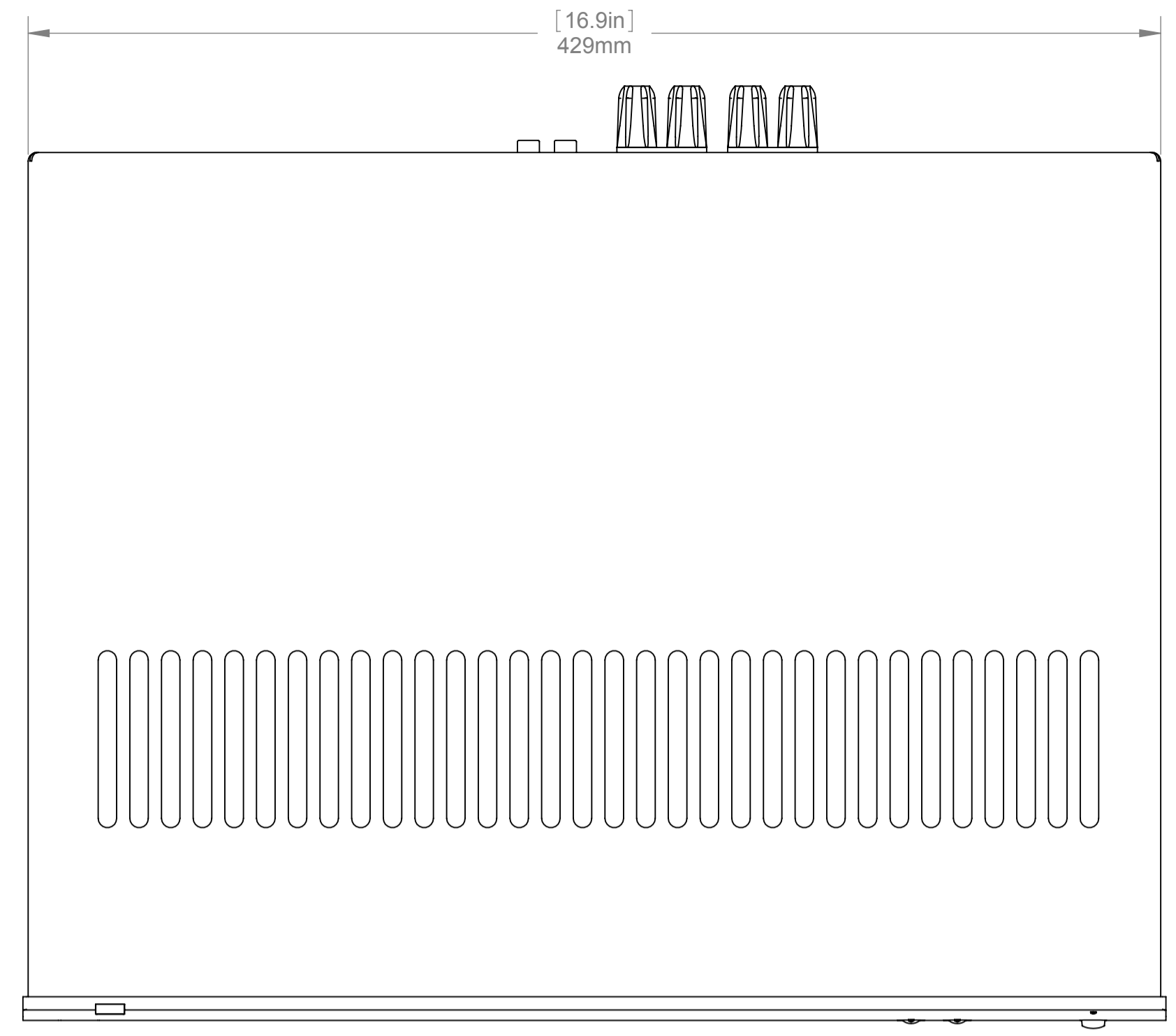


9				10		
ECO NR.	DATE	CHG.	ZONE	DESCRIPTION OF CHANGE	REL.	CHK.
..
..
..
..
..
..



NOTE:
ALLOW ADEQUATE CLEARANCE
AROUND THE PRODUCT FOR
VENTILATION & CONNECTION

ARCAM A & R CAMBRIDGE LTD	LINEAR TOLERANCE ±0.2MM UNLESS OTHERWISE STATED	ALL DIMENSIONS IN MILLIMETERS UNLESS OTHERWISE STATED	DRAWN BY:	
	ANGULAR TOLERANCE ±1° UNLESS OTHERWISE STATED	ORIGINAL SCALE 1:2	DATE:	13-5-2008
MATERIAL:		CHECKED BY:		
FINISH:		SHT 1 OF 1		
PART NUMBER AND DRAWING NUMBER P38		DRAWING TITLE P38 ASSEMBLY		
				A1

