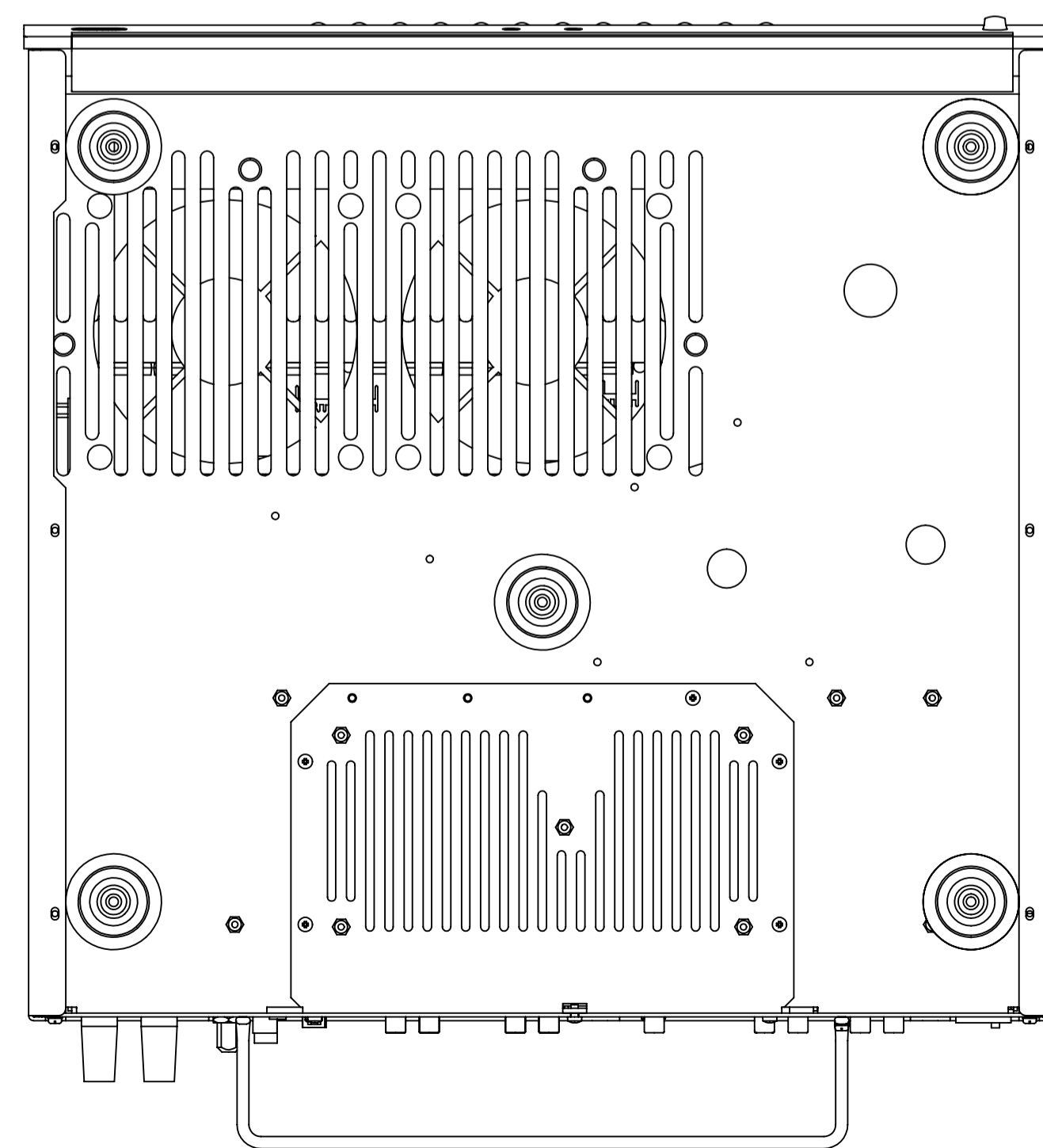
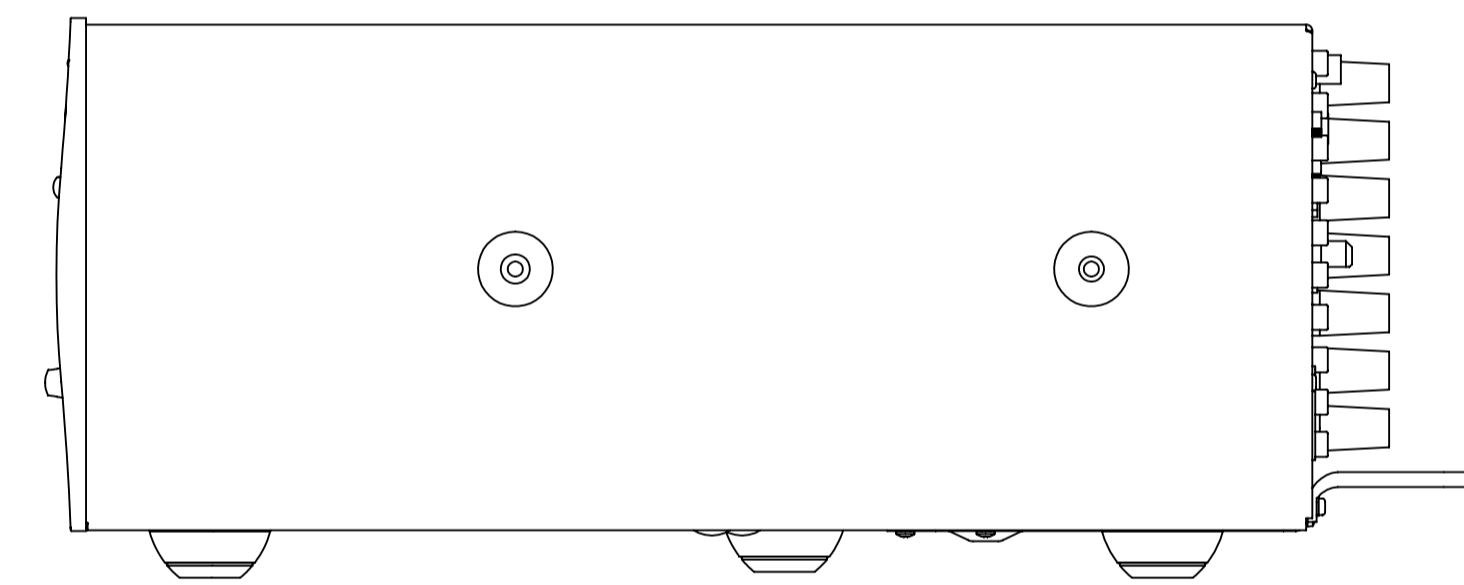
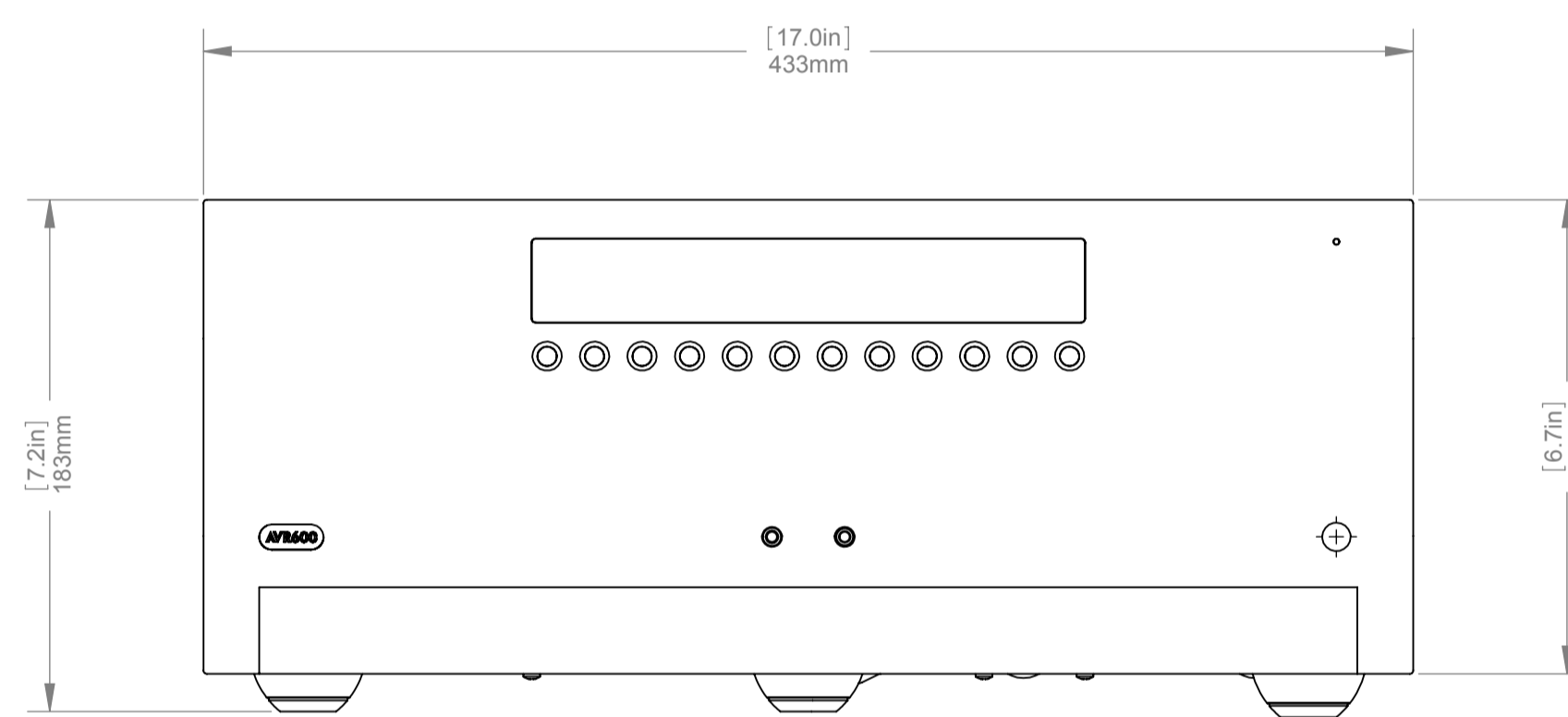
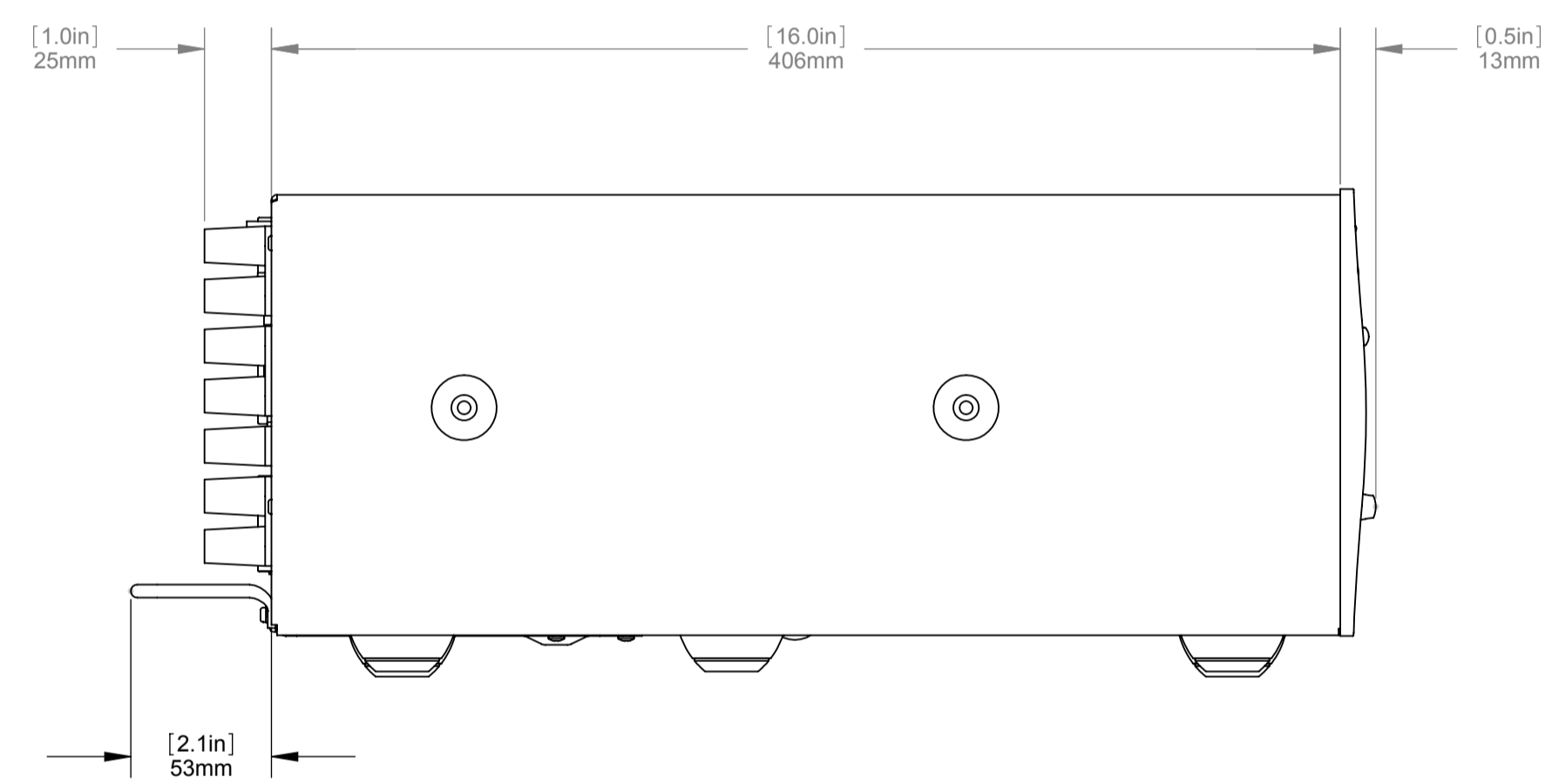
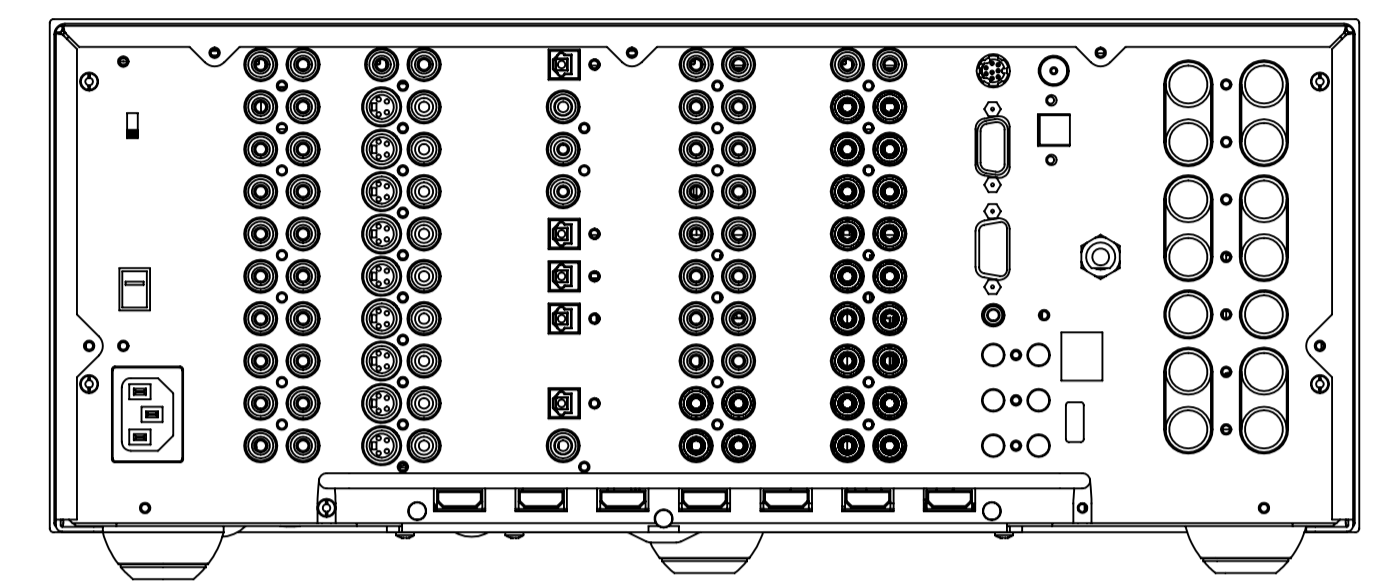
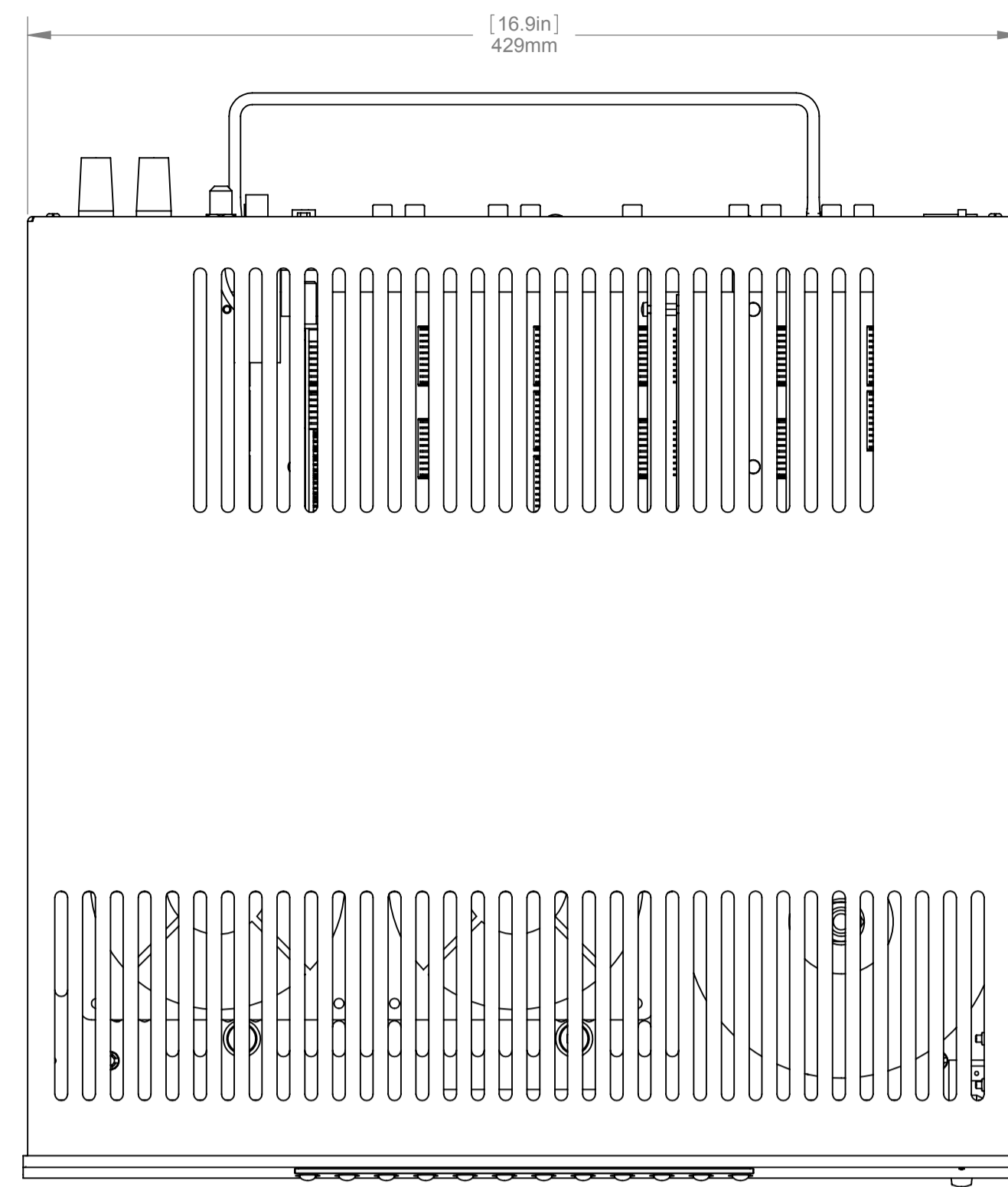
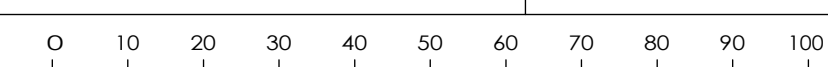


9				10			
ECO NR.	DATE	CHG.	ZONE	DESCRIPTION OF CHANGE	REL.	DR.	CHK.



**NOTE:**  
ALLOW ADEQUATE CLEARANCE  
AROUND THE PRODUCT FOR  
VENTILATION & CONNECTION

<b>ARCAM</b> A & R CAMBRIDGE LTD <small>LINEAR TOLERANCE: ±0.2MM UNLESS OTHERWISE STATED ANGULAR TOLERANCE: ±1° UNLESS OTHERWISE STATED</small>	DATE:	9-2-2009	DRAWN BY:	MCM
	CHECKED BY:	MGB	ORIGINAL SCALE:	1:2.5
MATERIAL:		SHT 2 OF 2		
PART NUMBER AND DRAWING NUMBER		AVR600		
DRAWING TITLE		AVR600 ASSEMBLY		



A1