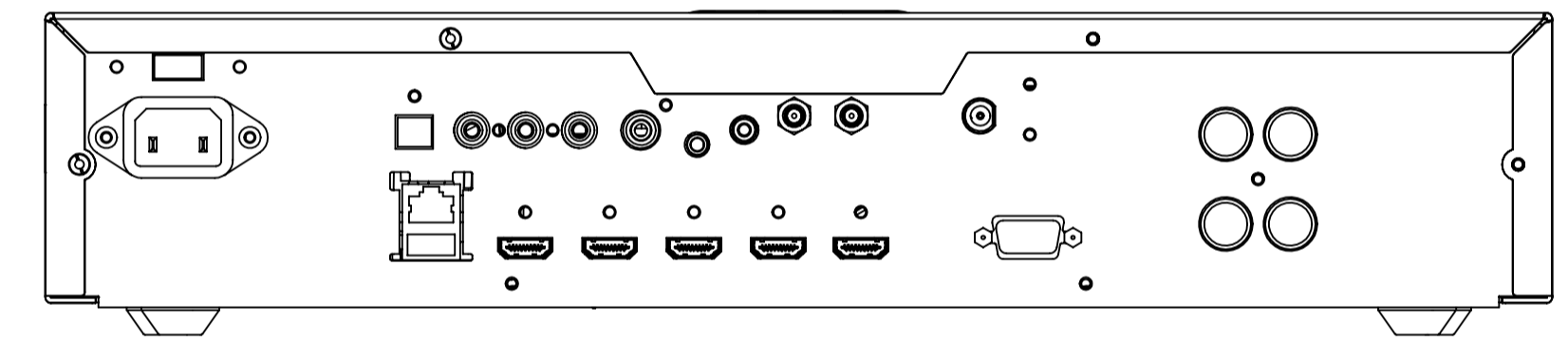
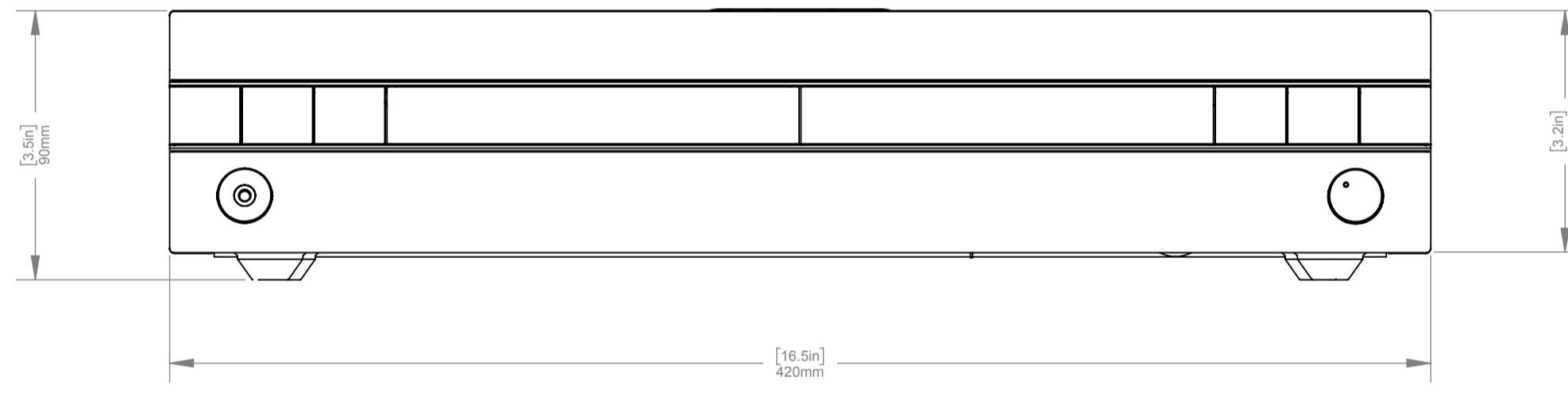
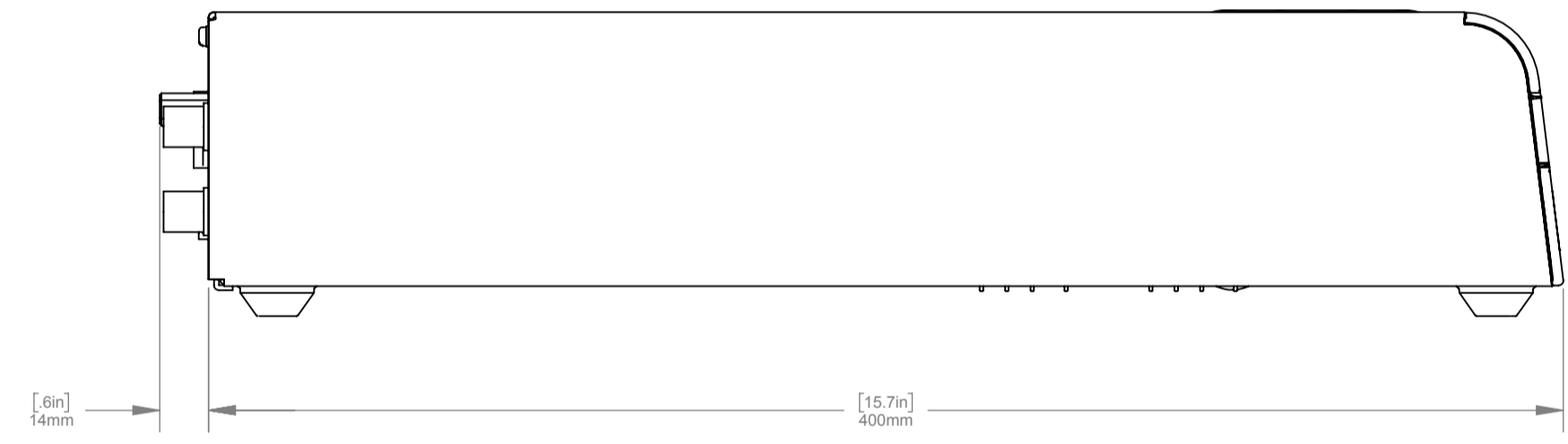
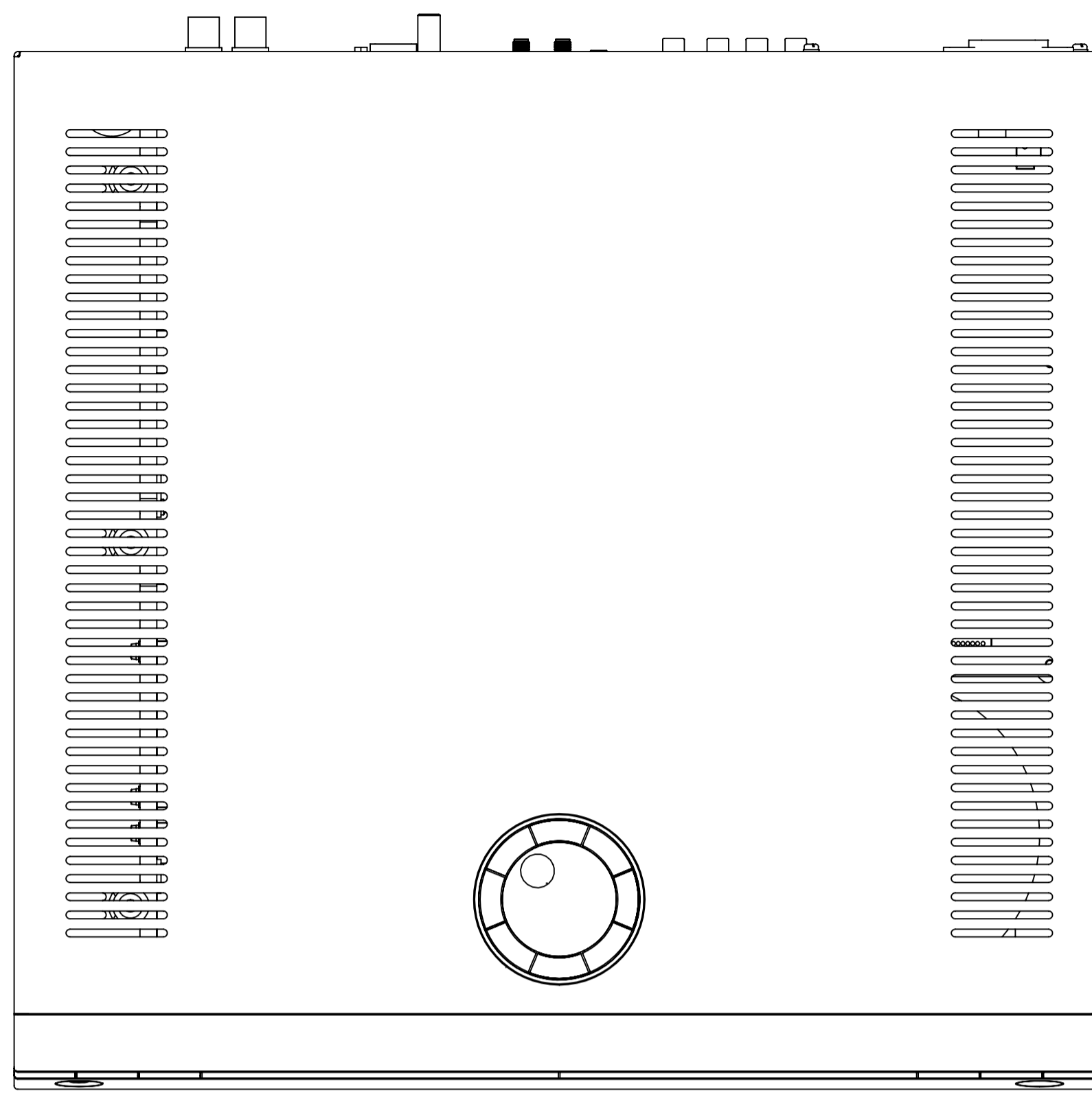
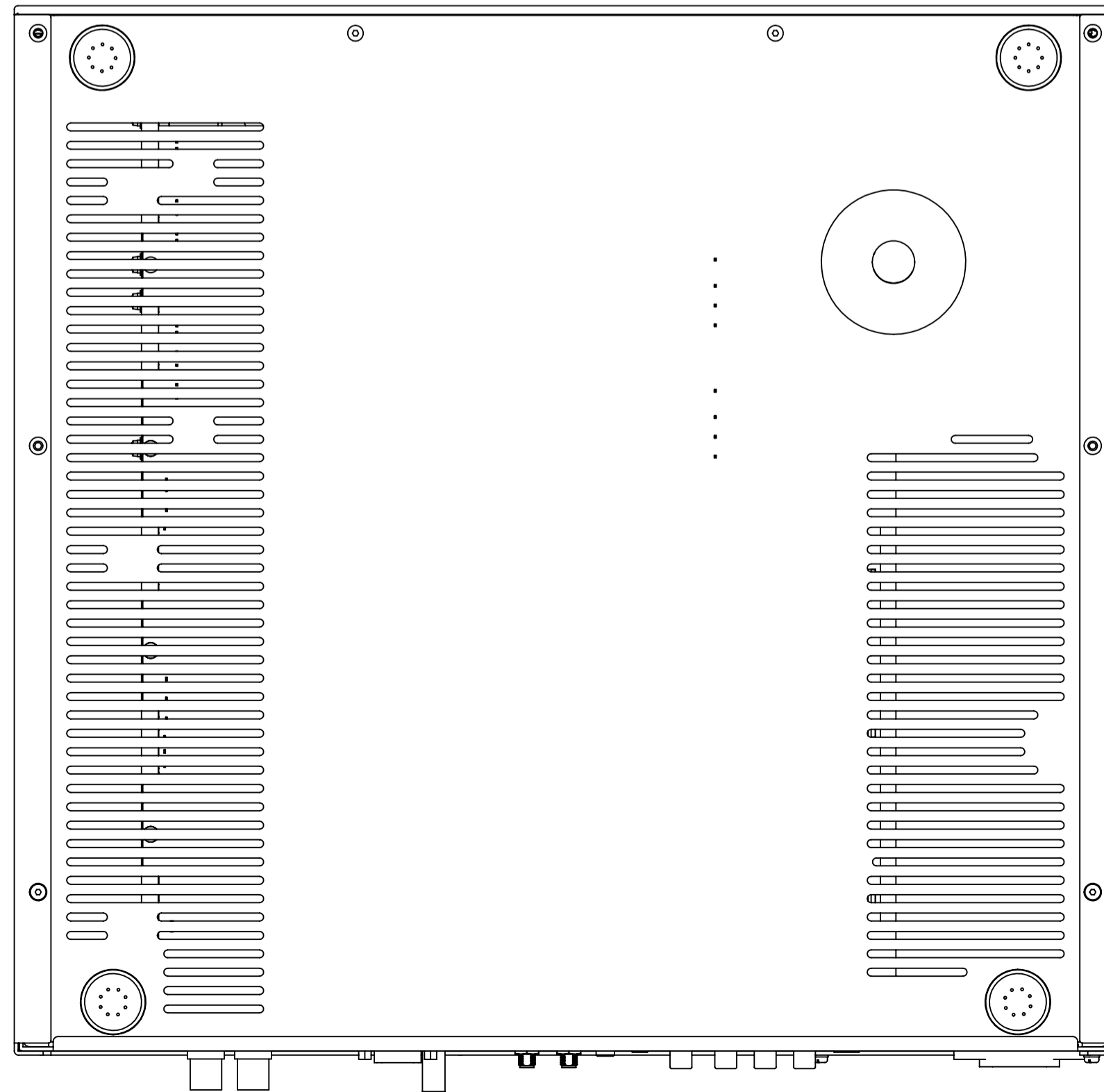


9				10			
ECO NR.	DATE	CHG.	ZONE	DESCRIPTION OF CHANGE	REL.	DR.	CHK.



REAR VIEW



NOTE:
ALLOW ADEQUATE CLEARANCE
AROUND THE PRODUCT FOR
VENTILATION & CONNECTION

ARCAM <small>LINEAR TOLERANCE +0.2MM UNLESS OTHERWISE STATED ANGULAR TOLERANCE +1° UNLESS OTHERWISE STATED</small>	<small>A & R CAMBRIDGE LTD</small> <small>ALL DIMENSIONS IN MILLIMETERS UNLESS OTHERWISE STATED</small>	<small>DRAWN BY:</small> MCM
		<small>DATE:</small> 18-1-2018
<small>MATERIAL:</small>	<small>CHECKED BY:</small> NC	<small>ORIGINAL SCALE:</small> 1:2.5
<small>FINISH:</small>	<small>SHT 2 OF 2</small>	
<small>PART NUMBER AND DRAWING NUMBER</small> SOLO MUSIC		
<small>DRAWING TITLE</small> MAIN ASSEMBLY		A1

