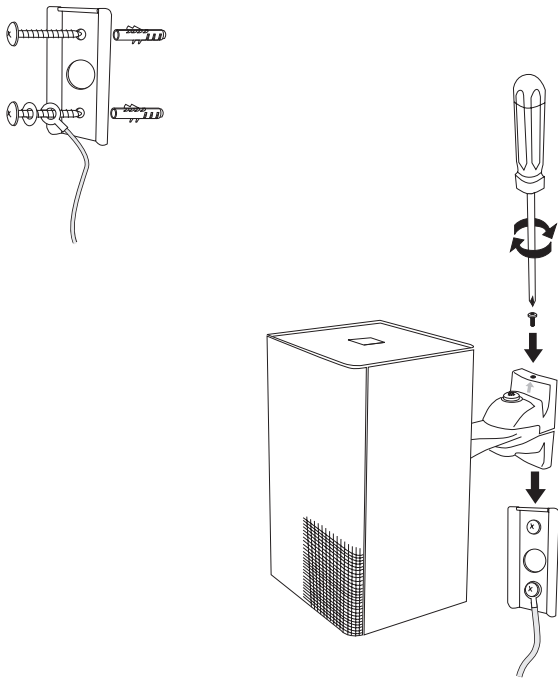


5



IMPORTANT: Fix one end of the safety cable to the wall plate, using the washer to clamp the cable correctly.

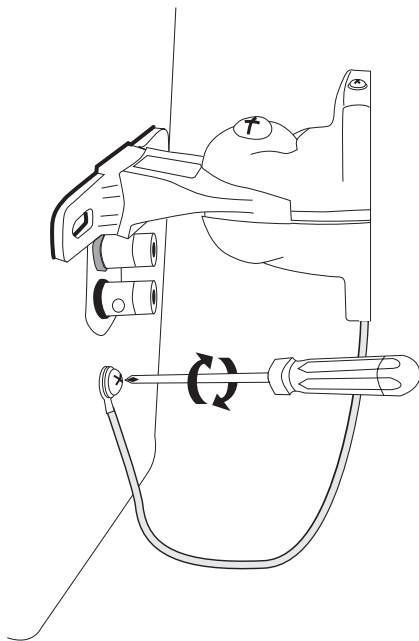
muso speaker wall bracket

ARCAM

A & R Cambridge Ltd, Pembroke Avenue, Waterbeach,
CAMBRIDGE CB25 9QR, England

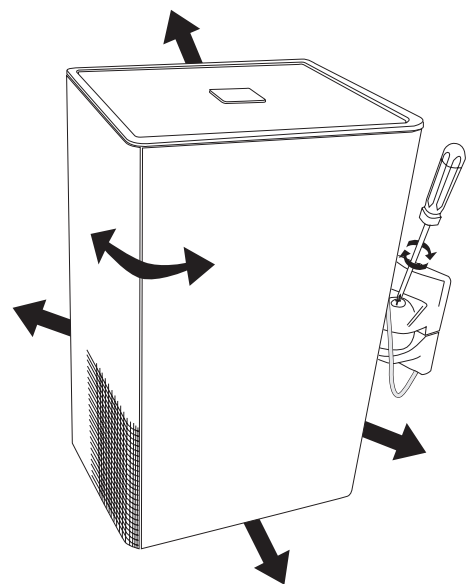
SH202E
Issue 3

6



IMPORTANT: Fix the free end of the safety cable to the back of the speaker, using the M4x16mm screw and washer provided.

7

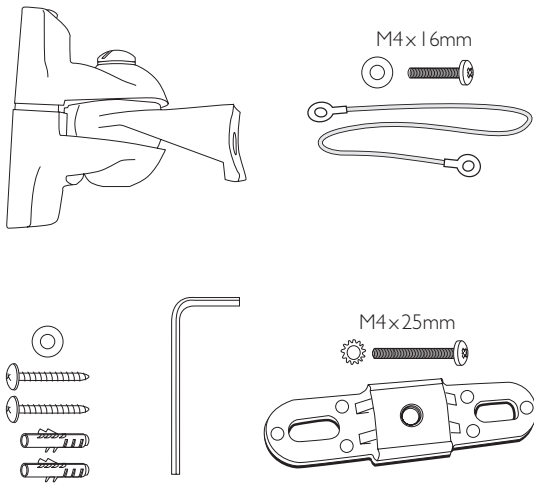


IMPORTANT: Loosen the clamping screw before adjusting tilt and swivel, then re-tighten fully.

1

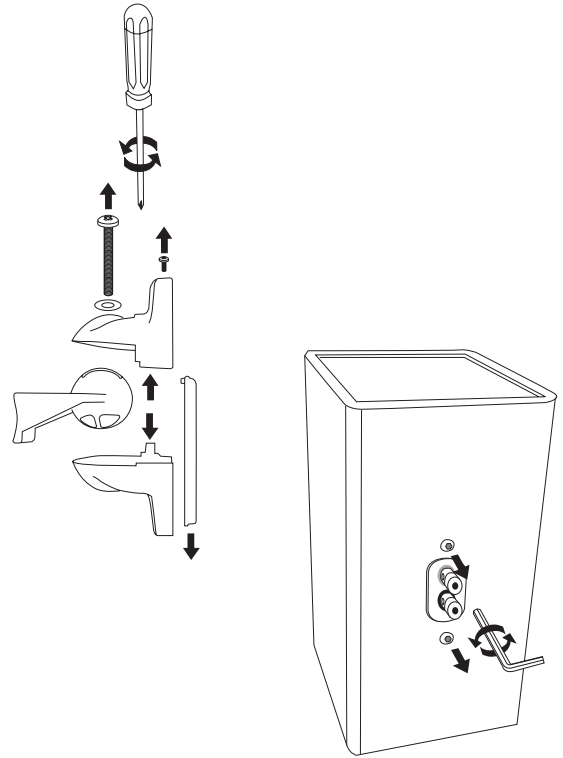
When positioning the bracket, take care to avoid electrical cabling and plumbing. If you are uncertain about installing this bracket, please contact a professional installer:

The box contains:

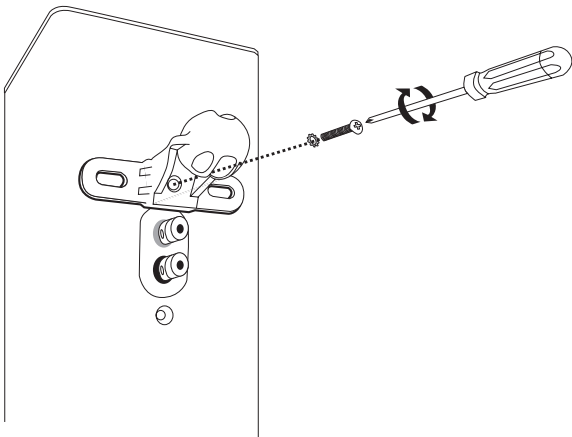


IMPORTANT: If mounting in plasterboard, the wall bracket must be anchored into a wooden stud.

2



3



IMPORTANT: Use the M4 x 25mm screw provided. Ensure that the lock washer is used and the screw is fully tightened.

4

